

## Excellent Integrated System Limited

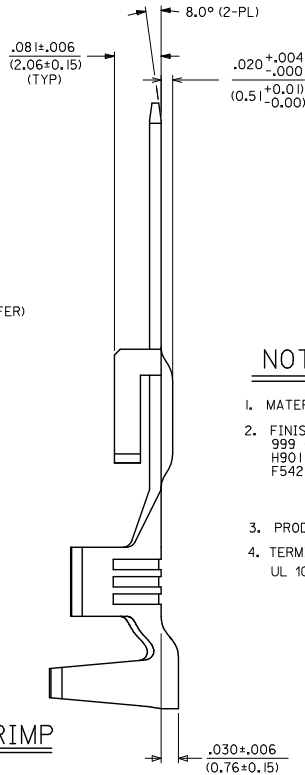
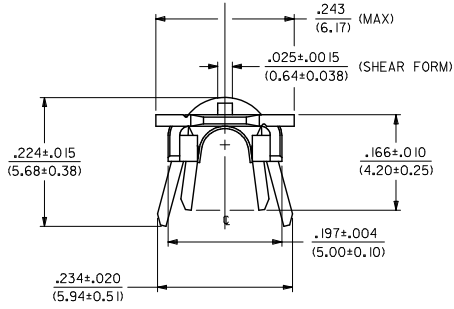
Stocking Distributor

Click to view price, real time Inventory, Delivery & Lifecycle Information:

[Molex Connector Corporation](#)  
[0431782002](#)

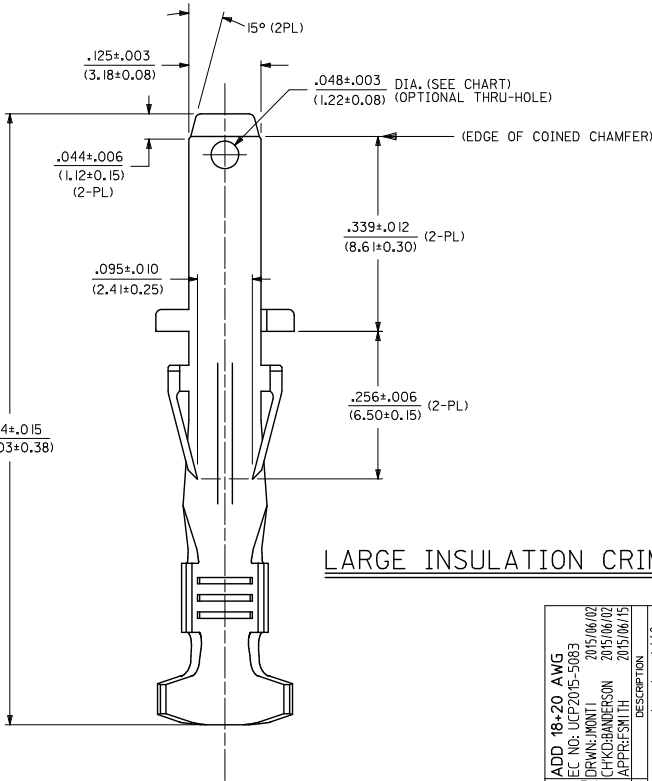
For any questions, you can email us directly:  
[sales@integrated-circuit.com](mailto:sales@integrated-circuit.com)

MATERIAL NUMBER	FINISH	HOLE
43178-2001	999	NOT USED
43178-2002	H901	NOT USED
43178-2003	F542	NOT USED



**NOTES**

- MATERIAL: BRASS
- FINISH:  
999 - UNPLATED  
H901 - 20 MICROINCH MIN. HOT TIN DIP  
F542 - 15 MICROINCH MIN. SELECT GOLD IN CONTACT AREA, 50 MICROINCH TIN-LEAD IN CRIMP AREA, NICKEL UNDERPLATE OVERALL.
- PRODUCT SPECIFICATION : PS-44441-001
- TERMINAL FOR USE WITH SINGLE 14-16 AWG OR DOUBLE 18+20 AWG. UL 1007 OR 1015 STYLE WIRE.



**LARGE INSULATION CRIMP**

ADD 18+20 AWG EC NO: UCF2015-5083 DRAWN BY: 2015/06/02 CHK: JANDERSON APPROVED BY: 2015/06/15	QUALITY SYMBOLS ∇=0 ∇=0 ∇=0	GENERAL TOLERANCES (UNLESS SPECIFIED) mm INCH 4 PLACES ± --- ± --- 3 PLACES ± --- ± .010 2 PLACES ± 0.25 ± .014 1 PLACE ± 0.35 ± --- 0 PLACE ± --- ± ---	DIMENSION STYLE IN/MM	SCALE 8:1	DESIGN UNITS INCH	THIRD ANGLE PROJECTION
		DRAWN BY: KBP DATE: 1995/06/19 CHECKED BY: DATE: APPROVED BY: KBP DATE: 1995/06/19 MATERIAL: F SMITH DATE: 2015/06/15	TITLE TERMINAL, CRIMP MALE TAB .125/(3.18)X.020/(0.51) SABRE - F.B.S. - TPA	MATERIAL NO. SEE CHART	DOCUMENT NO. SD-43178-2***	SHEET NO. 1 OF 1