

Excellent Integrated System Limited

Stocking Distributor

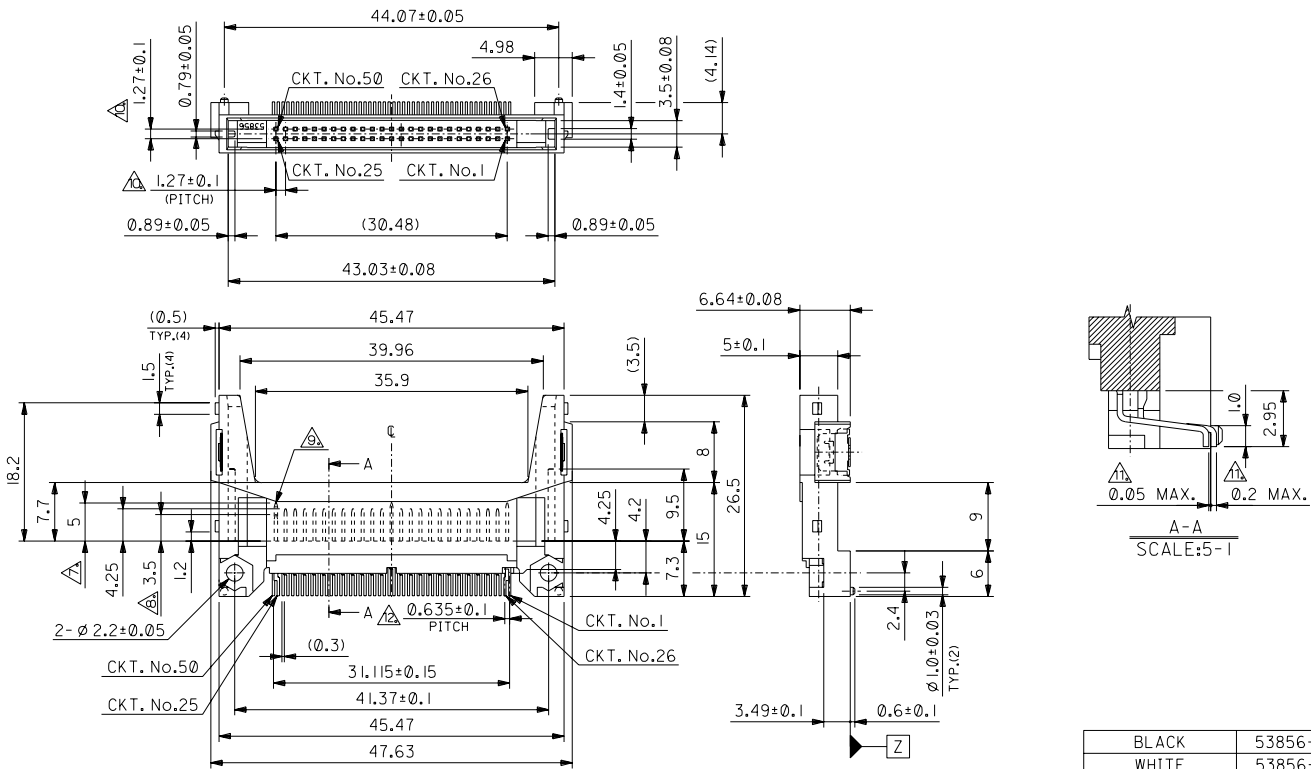
Click to view price, real time Inventory, Delivery & Lifecycle Information:

[Molex Connector Corporation](#)
[53856-5010](#)

For any questions, you can email us directly:

sales@integrated-circuit.com

DWG. NO. SD-53856-002



BLACK	53856-5011	50
WHITE	53856-5010	50
HOUSING COLOR	ENG. No.	No. OF CKT.

DO NOT SCALE DRAWING		53856-501*		MODEL No.	DIMENSIONS:	SHT	REV
EC NO.	DRWN:	CHK:	APPR:	THIRD ANGLE PROJECTION	<input type="checkbox"/> mm <input type="checkbox"/> INCH		
EC NO.	DRWN:	CHK:	APPR:	TITLE: CF CARD CONN. 50P HEADER ASS'Y			
EC NO.	DRWN:	CHK:	APPR:	MATERIAL NO. SEE CHART			
EC NO.	DRWN:	CHK:	APPR:	DRAWING NO. SD-53856-002			
EC NO.	DRWN:	CHK:	APPR:	SHEET NO. 1 OF 2			
0	RELEASED	DESCRIPTION		MATERIAL SEE NOTES			
	EC NO. JD2000-0925	FINISH SEE NOTES		GENERAL TOLERANCES: (UNLESS SPECIFIED)			
	DRWN: THANYU	WIRE RANGE		SCALE 2 - 1			
	CHK: MSASAO	INS. RANGE		DESIGN UNITS <input checked="" type="checkbox"/> mm <input type="checkbox"/> INCH			
	APPR: HIKESUGI			DRAWN BY & DATE T. Hanym 00/03/10			
				CHECKED BY & DATE H. Sato 00/03/10			
				APPROVED BY & DATE [Signature] 00/03/10			
				CAD FILENAME SD-53856-002.S01			
				THIS DRAWING CONTAINS INFORMATION THAT IS PROPRIETARY TO MOLEX INCORPORATED AND SHOULD NOT BE USED WITHOUT WRITTEN PERMISSION.			
				EN-02J(097)MXJ-54			

SD-53856-002-01

注) NOTES

- 1. 材質 MATERIAL**
 ハウジング: ガラス入り LCP UL94V-0
 HOUSING: LCP G.F. UL94V-0
 ピン: リン青銅
 PIN: PHOSPHOR BRONZE
 ネール: リン青銅
 NAIL: PHOSPHOR BRONZE

2. メッキ仕様 PLATING
 PIN 接点部: パラジウムニッケル下地、金メッキ
 CONTACT AREA: Au OVER Pd-NI
 半田付け部: 半田メッキ
 SOLDER TAIL AREA: TIN-LEAD
 下地メッキ: ニッケルメッキ
 UNDERPLATING: NI OVER ALL
 NAIL 半田メッキ
 Sn-Pb
 下地メッキ: 銅メッキ
 UNDERPLATING: Cu OVER ALL

3. 推奨基板厚: t 0.8 MIN. RECOMMENDED P.C.B. THICKNESS: t 0.8 MIN.

4. 適合カード厚 RECOMMENDED CARD THICKNESS
 接続部: 3.3±0.1
 CONNECTING AREA: 3.3±0.1

5. 適合カード幅: 42.8±0.1 RECOMMENDED CARD WIDTH: 42.8±0.1

6. ハウジング色 HOUSING COLOR:
 53856-5010: 白 (WHITE)
 53856-5010: 黒 (BLACK)

寸法適用種: 1,13,38,50 THIS DIMENSION APPLIES TO CIRCUIT NUMBERS 1,13,38 AND 50.

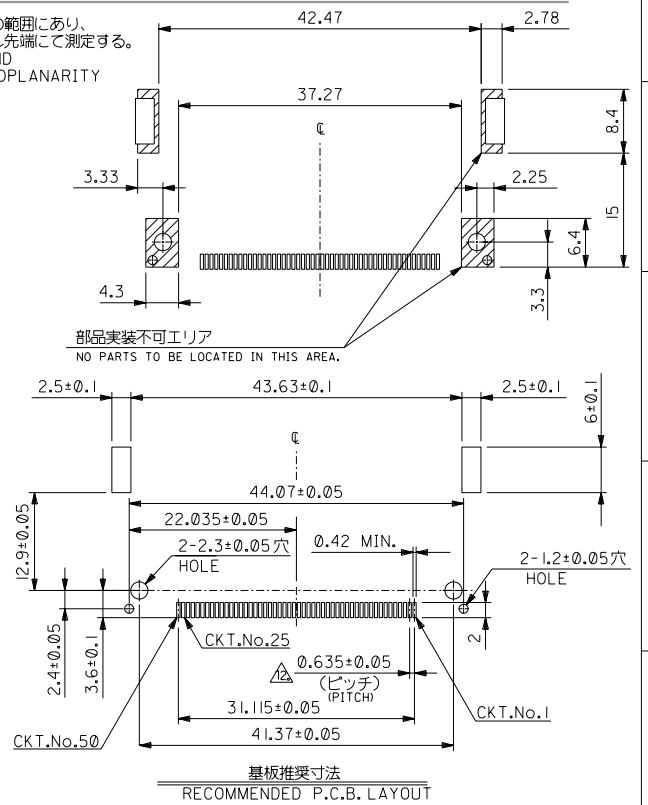
寸法適用種: 25,26 THIS DIMENSION APPLIES TO CIRCUIT NUMBERS 25 AND 26.

ピンの倒れは、ピン根元を基準に全方向へ 0.1 MAX.とする。 PIN TIP LEAN TOWARD ANY DIRECTION NOT TO EXCEED 0.1 WHEN MEASURED FROM PIN BASE.

ピン根元に適用する。 THIS DIMENSION TO BE MEASURED AT PIN BASE.

△ ソルダータールは、Z面を基準とし上へ 0.05 下へ 0.2 の範囲にあり、
 且つソルダータールの平坦度は、0.15 MAX. とし、テール先端にて測定する。
 SOLDERTAILS TO BE WITHIN 0.05 UPWARD AND 0.2 DOWNWARD FROM Z-DATUM PLACE, AND COPLANARITY OF SOLDER TAILS TO BE WITHIN 0.15.
 MEASUREMENT POINT IS SOLDER TAILS TIP.

△ 公差非累積 NON-CUMULATIVE



基板推奨寸法
 RECOMMENDED P.C.B. LAYOUT

DO NOT SCALE DRAWING

EC NO. DRAWN: CHK'G: APPR:	EC NO. DRAWN: CHK'G: APPR:	EC NO. DRAWN: CHK'G: APPR:	EC NO. DRAWN: CHK'G: APPR:	EC NO. DRAWN: CHK'G: APPR:	EC NO. DRAWN: CHK'G: APPR:	REV	DESCRIPTION	MATERIAL 材料	GENERAL TOLERANCES: (UNLESS SPECIFIED) 一般公差	SCALE 2-1	DESIGN UNITS mm INCH	THIRD ANGLE PROJECTION	DIMENSIONS: mm INCH mm INCH	SHT REV	REVISE ON CAD ONLY
								FINISH 仕上げ							