



Distributor of TE Connectivity AMP Connectors: Excellent Integrated System Limited
Datasheet of 745207-2 - D-Sub Connector Plug, Male Pins 15 Position Free Hanging (In-Line)
IDC, Discrete Wire

Contact us: sales@integrated-circuit.com Website: www.integrated-circuit.com

Excellent Integrated System Limited

Stocking Distributor

Click to view price, real time Inventory, Delivery & Lifecycle Information:

[TE Connectivity AMP Connectors](#)
[745207-2](#)

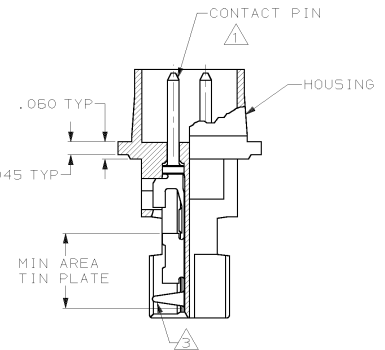
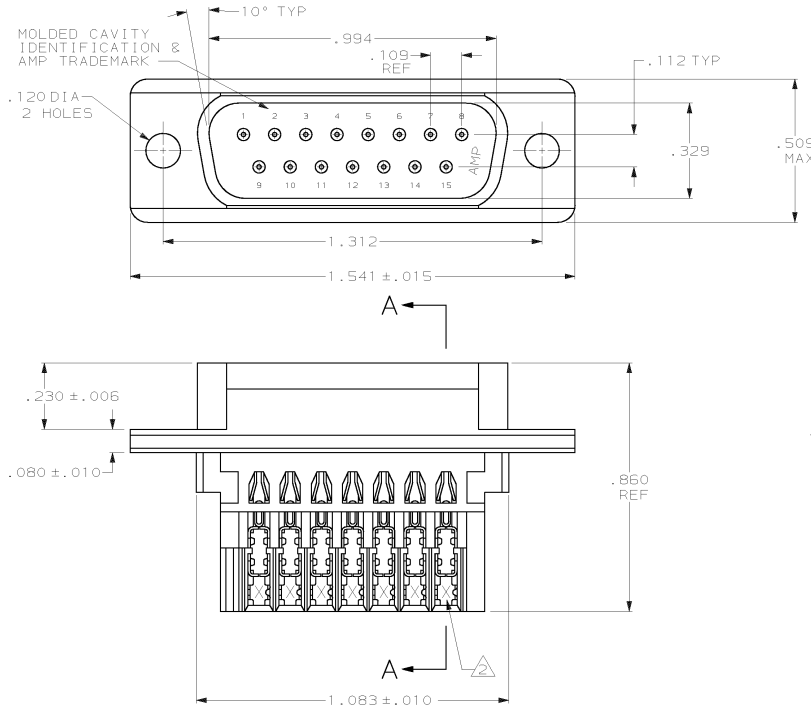
For any questions, you can email us directly:

sales@integrated-circuit.com

DRAWING MADE IN THIRD ANGLE PROJECTION

THIS DRAWING IS UNPUBLISHED. RELEASED FOR PUBLICATION .19
 © COPYRIGHT 19 BY AMP INCORPORATED. ALL INTERNATIONAL RIGHTS RESERVED.

LDC		DST		P		F		ZONE		LTR		REVISIONS		DATE	APPD
GP	00												DESCRIPTION		
													REVISED PER EC 0513-0300-04	24SEP04	JG



SECTION A-A

- 1 HOUSING FULLY LOADED WITH CONTACTS.
- 2 NUMBER ON CONTACT INDICATES WIRE RANGE.
- 3 CONTACT INSULATION RANGE: .060 MAXIMUM O.D.
- 4 CONTACTS PLATED GOLD PLATED FOR LENGTH OF .150 MIN FROM MATING END, .000030 MIN GOLD IN MATED AREA, .000100-.000200 BRIGHT TIN OR BRIGHT IN TIN-LEAD AREA SHOWN. .000050 NICKEL UNDERPLATE ON ENTIRE CONTACT.
- 5 CONTACTS PLATED GOLD PLATED FOR LENGTH OF .150 MIN FROM MATING END, GOLD FLASH IN MATED AREA. .000100-.000200 BRIGHT TIN OR BRIGHT IN TIN-LEAD AREA SHOWN. .000030 NICKEL UNDERPLATE ON ENTIRE CONTACT.
- 6 CONTACTS PLATED GOLD PLATED FOR LENGTH OF .150 MIN FROM MATING END, .000030 MIN GOLD IN MATED AREA, .000100-.000200 MATTE TIN IN AREA SHOWN. .000050 NICKEL UNDERPLATE ON ENTIRE CONTACT.

	2	#22-26	745207-7
OBSOLETE	3	#20-22	745207-6
OBSOLETE	2	#22-26	745207-5
OBSOLETE	1	#26-30	745207-4
OBSOLETE	3	#20-22	745207-3
OBSOLETE	2	#22-26	745207-2
OBSOLETE	1	#26-30	745207-1
	FINISH	AWG WIRE RANGE	PART NUMBER

DO NOT SCALE PRINT. UNLESS SPECIFIED DIMENSIONS IN INCHES TOLERANCES ON:		DR 4-6-90 J GALLUCCI B6		AMP INCORPORATED Harrisburg, Pa. 17105	
2 PLC DEC ± .005		CHK 6-21-90 W LENKER			
MATERIAL HOUSING: BLACK THERMOPLASTIC 94V-0 RATED CONTACTS: PHOSPHOR BRONZE		APPD 6-22-90 J WESTMAN		NAME	
FINISH		PRODUCT SPEC 108-40011		PLUG ASSEMBLY, SIZE 2, 15 POSITION, AMPLIMITE™	
SEE TABLE		APPLICATION SPEC 114-40002		SIZE C	FSCM NO 00779
WEIGHT				DRAWING NO 745207	
				SCALE 4:1	SHEET 1 OF 1