

Excellent Integrated System Limited

Stocking Distributor

Click to view price, real time Inventory, Delivery & Lifecycle Information:

[Logical Systems](#)

[PA18SO1-08H-3](#)

For any questions, you can email us directly:

sales@integrated-circuit.com

PAxxSO1-08(H)-s Data Sheet

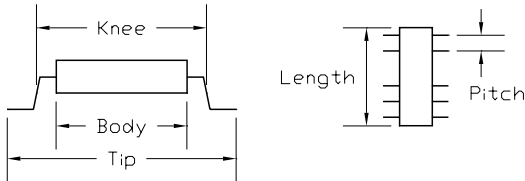
14-28 pin SO socket/14-28 pin DIP 0.3" or 0.6" plug

Supported Device/Footprints

This adapter accepts various pin count SO packages with a body width of 0.3" and lead pitch of 0.050". The adapter DIP plug has the same pin count as the SO package. The DIP plug span is 0.3" or 0.6".

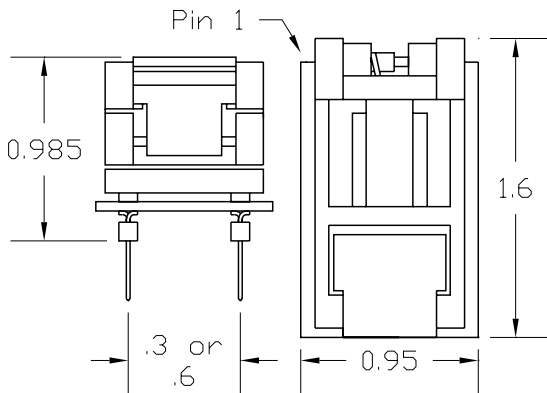
Device Dimensions

This socket can accept devices of the following dimensions:



Body mm (inches)			Knee mm (inches)		
min.	typ.	max.	min.	typ.	max.
7.4	7.8	7.9	n/a	9.3	9.4
(0.291)	(0.307)	(0.311)		(0.366)	(0.370)
Tip mm (inches)			Body Length	Lead Pitch	
min.	typ.	max.	n/a	1.27	
10.0	11.6	n/a			
(0.394)	(0.457)				

Adapter Dimensions



Adapter Construction

The adapter is made up of 2 sub-assemblies. They assemble via connectors making the adapter modular. This way the sub-assemblies can be replaced easily.

When disassembling the adapter take care not to bend the pins. When reassembling the adapter note the pin 1 indicators to align the parts correctly.

The following chart shows the various socket and board part numbers that make up these adapters.

Adapter	Socket	Board	DIP Plug
PA14SO1-08H-3	14(28H)SD-08	28SO08-14-3	0.3"
PA14SO1-08H-6	14(28H)SD-08	28SO08-14-6	0.6"
PA16SO1-08H-3	16(28H)SD-08	28SO08-16-3	0.3"
PA16SO1-08H-6	16(28H)SD-08	28SO08-16-6	0.6"
PA18SO1-08H-3	18(28H)SD-08	28SO08-18-3	0.3"
PA18SO1-08H-6	18(28H)SD-08	28SO08-18-6	0.6"
PA20SO1-08H-3	20(28H)SD-08	28SO08-20-3	0.3"
PA20SO1-08H-6	20(28H)SD-08	28SO08-20-6	0.6"
PA24SO1-08H-3	24(28H)SD-08	28SO08-24-3	0.3"
PA24SO1-08H-6	24(28H)SD-08	28SO08-24-6	0.6"
PA28SO1-08-3	28SD-08	28SO08-3	0.3"
PA28SO1-08-6	28SD-08	28SO08-6	0.6"

The board is Rev F.

Test Socket

LSC #	Style	Mfgr/Pn
xx(28)SD-08	Lidded ZIF	Enplas FP-xx(28H)-1.27-08
28SD-08	Lidded ZIF	Enplas FP-28-1.27-08

The xx(28)SD-08 sockets are depopulated from 28 pins to fit the various devices. The sockets are removable so that they may be replaced easily. They are depopulated at the Pin 1 end. If you remove the socket be sure to replace it with the hinge at the Pin 1 end.

These sockets have divider fingers between the contacts. A device with fewer pins can be properly inserted in a socket with more pins.

The 28 pin adapter can be used for lower pincount devices. This feature offers a cost and adapter inventory saving for those that have the time for more careful device handling.

Wiring

Wiring is 1 to 1. Pin 1 of the SO device is wired to pin 1 of the DIP plug. Pin 2 to pin 2 and so on around the adapter.