

Excellent Integrated System Limited

Stocking Distributor

Click to view price, real time Inventory, Delivery & Lifecycle Information:

[Logical Systems](#)

[PA28-28-DP](#)

For any questions, you can email us directly:

sales@integrated-circuit.com

PA28-28-DP(-PP) Data Sheet

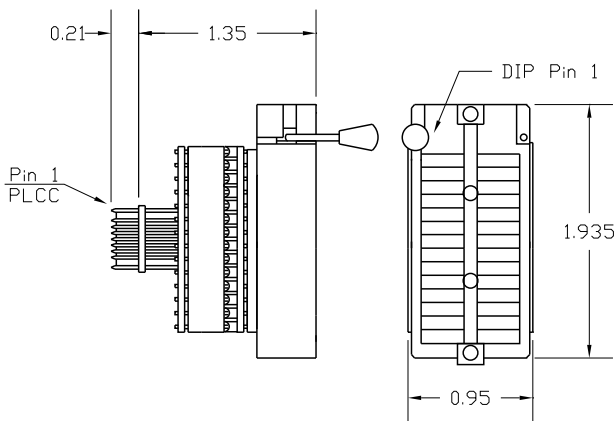
28 pin DIP ZIF socket/28 pin PLCC plug

Supported Device/Footprints

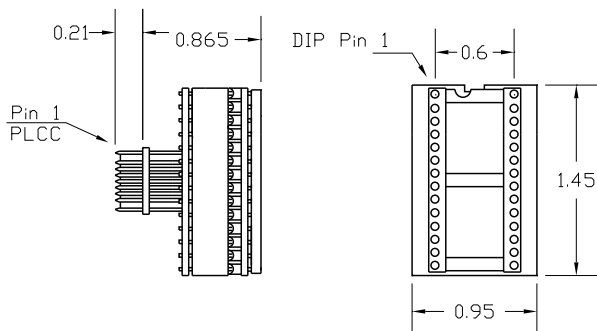
The PA28-28-DP adapter accepts 28 pin DIP devices and plugs into 28 pin PLCC production sockets. This allows DIP devices or emulators with DIP plugs to be used during development of PLCC based products.

The PA28-28-DP-PP has a production socket only.

Adapter Dimensions



PA28-28-DP



PA28-28-DP-PP

Adapter Construction

The adapter is made up of 3 sub-assemblies. They assemble via connectors making the adapter modular. This way the sub-assemblies can be replaced when they wear out.

When disassembling the adapter take care not to bend the pins. When reassembling the adapter note the pin 1 indicators to align the parts correctly.

Test Socket

Aries Part #: 28-6554-11

LSC Part #: 28ADZ

28-28-1-DIP

Accepts the test socket and connects to the the bottom board

28PLUG

Accepts the top board and provides the PLCC Plug.

Adapter Wiring

This adapter is wired 1 to 1. The following chart shows the connections from the DIP device to the adapter's PLCC plug.

DEVICE	PLUG
1	1
2	2
3	3
4	4
5	5
6	6
7	7
8	8
9	9
10	10
11	11
12	12
13	13
14	14
15	15
16	16
17	17
18	18
19	19
20	20
21	21
22	22
23	23
24	24
25	25
26	26
27	27
28	28