

Excellent Integrated System Limited

Stocking Distributor

Click to view price, real time Inventory, Delivery & Lifecycle Information:

[Logical Systems](#)

[PA40-44-P64-DP](#)

For any questions, you can email us directly:

sales@integrated-circuit.com

PA40-44-P64-DP(-PP) Data Sheet

40 pin DIP socket/44 pin PLCC plug

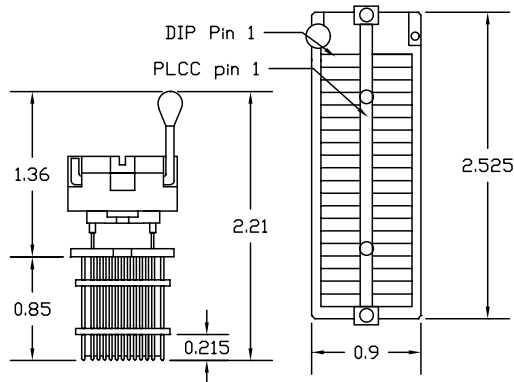
Supported Device/Footprints

The PA40-44-P64-DP adapter accepts 40 pin DIP devices and plugs into 44 pin PLCC production sockets. This allows DIP devices, or emulators with DIP plugs, to be used during development of PLCC based products.

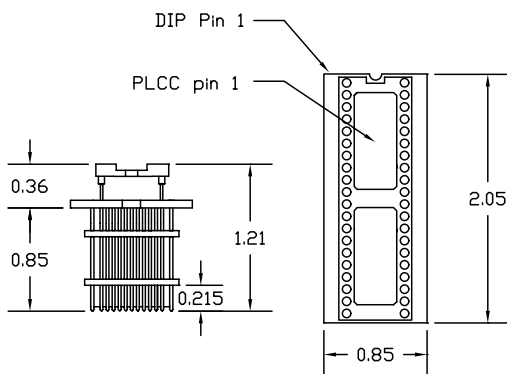
The PA40P64-DP-PP has a production socket only.

Mfgr	Device		Footprint	
	Device	Package	Device	Plug
Microchip	PIC16C64	DIP	PIC16C64	44 pin PLCC
	PIC16C64A		PIC16C64A	
	PIC16C65		PIC16C65	
	PIC16C65A		PIC16C65A	
	PIC16C74		PIC16C74	
	PIC16C74A		PIC16C74A	

Adapter Dimensions



PA40-44-P64-DP



PA40-44-P64-DP-PP

Adapter Construction

The adapter is made up of 2 sub-assemblies. They assemble via connectors making the adapter modular. This way the sub-assemblies can be replaced when they wear out.

When disassembling the adapter take care not to bend the pins. When reassembling the adapter note the pin 1 indicators to align the parts correctly.

Test Socket

DIP ZIF test socket:

Aries Part #: 44-6554-11 LSC Part #: 40ADZ

P64-DP

Accepts the test socket and remaps the signals to the PLCC plug.

Test Points

are available using the DIP socket pins (.020 dia. x .130 high).

Adapter Wiring

The following chart shows the connections from the DIP device to the adapter's PLCC plug.

DEVICE	SIGNAL	PLUG	PLUG	SIGNAL	DEVICE
-	NC	1	44	RB 7	40
1	MCLR/Vpp	2	43	RB 6	39
2	RA0	3	42	RB 5	38
3	RA1	4	41	RB 4	37
4	RA2	5	40	-	-
5	RA3	6	39	RB 3	36
6	RA4/TOCKI	7	38	RB 2	35
7	RA5/SS	8	37	RB 1	34
8	RE0/RD	9	36	RB0/INT	33
9	RE1/WR	10	35	VDO	32
10	RE2/CS	11	34	VSS	31
11	VDO	12	33	RD7/PSP7	30
12	VSS	13	32	RD6/PSP6	29
13	OSC1/CLKIN	14	31	RD5/PSP5	28
14	OSC2/CLKOUT	15	30	RD4/PSP4	27
15	RC0/T1CKI	16	29	RC7	26
16	RC1/T1CKO	18	28	N/C	-
-	N/C	17	27	RC6	25
17	RC2/CCP1	19	26	RC5/SDO	24
18	RC3/SCK/SCL	20	25	RC4/SDI/SDA	23
19	RD0/PSP0	21	24	RD3/PSP3	22
20	RD1/PSP1	22	23	RD2/PSP2	21