

Excellent Integrated System Limited

Stocking Distributor

Click to view price, real time Inventory, Delivery & Lifecycle Information:

[E-Switch](#)
[EG2208](#)

For any questions, you can email us directly:

sales@integrated-circuit.com

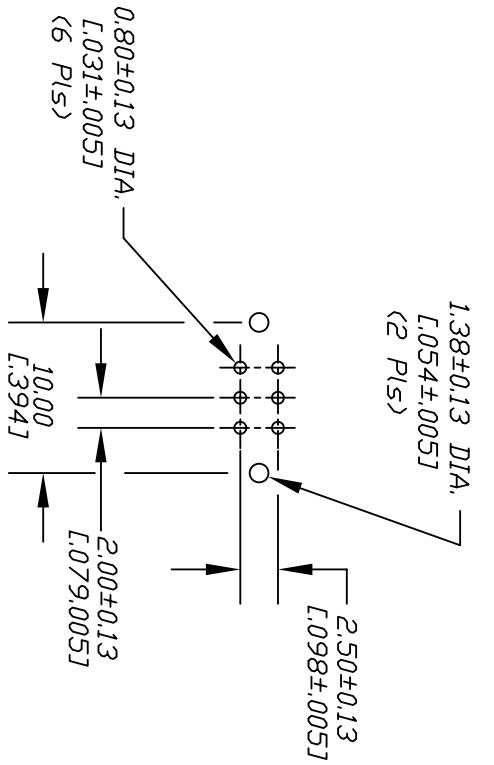
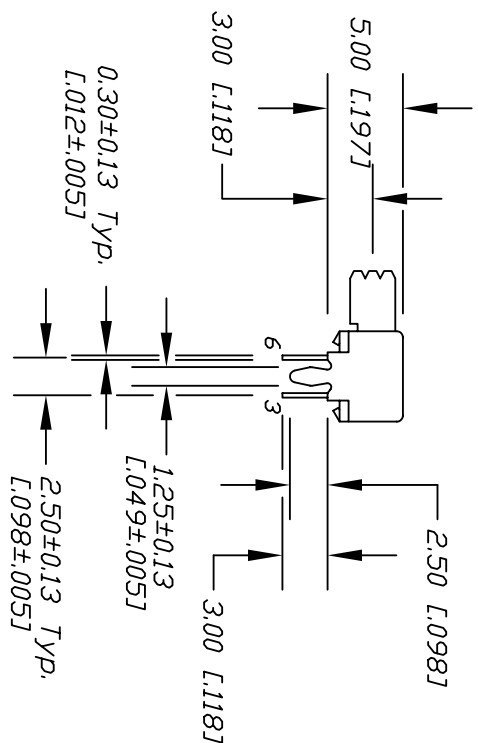
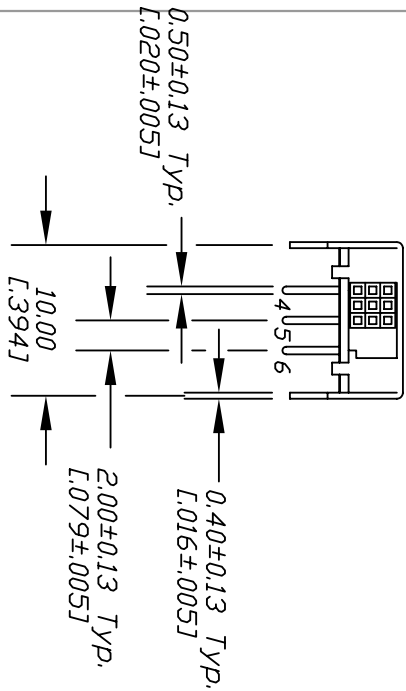
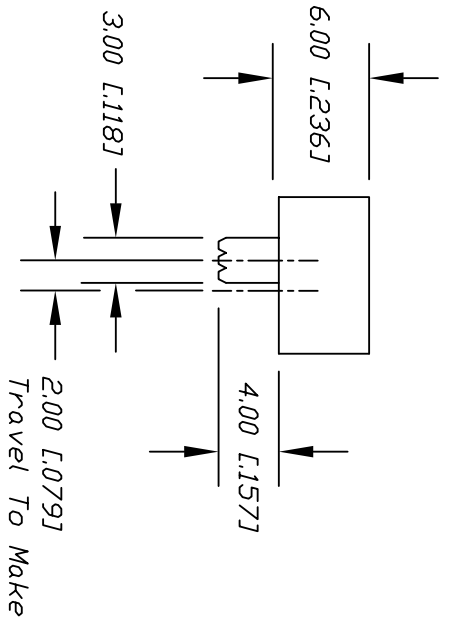


Distributor of E-Switch: Excellent Integrated System Limited

Datasheet of EG2208 - SWITCH SLIDE DPDT 200MA 30V

Contact us: sales@integrated-circuit.com Website: www.integrated-circuit.com

SHEET DF



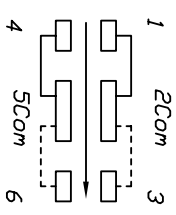
RECOMMEND P.C.B. LAYOUT

NOTES:

1. ALL DIMENSIONS IN MM [IN]
2. TERM. NDS. FOR REF ONLY
3. RATING: 0.2A, 30V DC
4. OPERATING FORCE: 200±100gf

CONTACT CONFIGURATION

CIRCUIT: DPDT



REV. B		DESCRIPTION	DATE	CHKD
REV. C		1.38±0.13 WAS 1.25±0.13	6/5/06	CT
REV. B		REVISED & REDRAWN		
THE INFORMATION CONTAINED IN THIS DOCUMENT IS PROPRIETARY TO E-SWITCH AND IS NOT TO BE COPIED OR TRANSFERRED				
TOLERANCES				
0.0	±0.4			
0.00	±0.25			
SCALE	DATE	DR	DWG	REV
2:1	5/24/97	MM	P040110	C
TITLE		EG 2208		
E-SWITCH®				