

Excellent Integrated System Limited

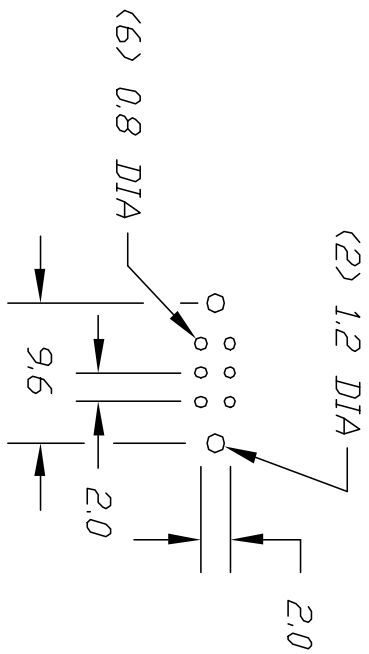
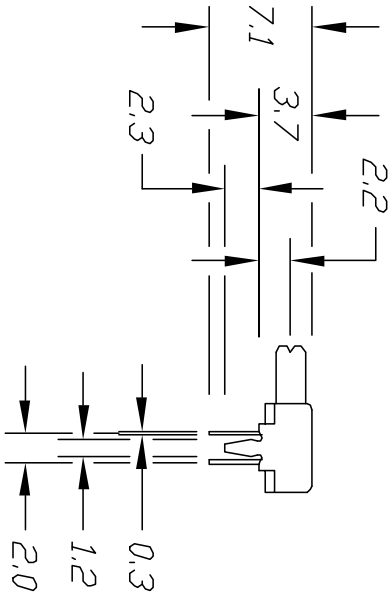
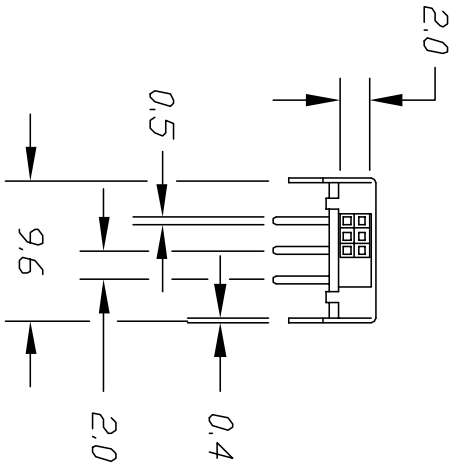
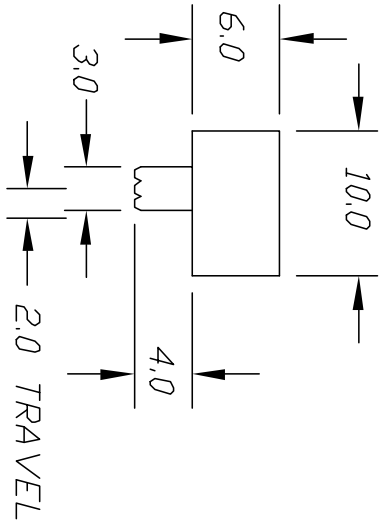
Stocking Distributor

Click to view price, real time Inventory, Delivery & Lifecycle Information:

[E-Switch](#)
[EG2211](#)

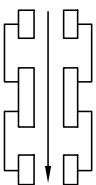
For any questions, you can email us directly:

sales@integrated-circuit.com



P.C.B. MOUNTING HOLES

CONTACT CONFIGURATION



NOTES:

1. ALL DIMENSIONS IN MM
2. TERM. NOS. FOR REF ONLY

REV.	DESCRIPTION	DATE	CHKD
	THE INFORMATION CONTAINED IN THIS DOCUMENT IS PROPRIETARY TO E-SWITCH AND IS NOT TO BE COPIED OR TRANSFERRED		
TOLERANCES			
		±0.3	
		±0.3	
		±0.3	
TITLE			
E-SWITCH			
EG 2211			
SCALE	DATE	DR	DWG
2:1	5/11/94	JL	P040140