

Excellent Integrated System Limited

Stocking Distributor

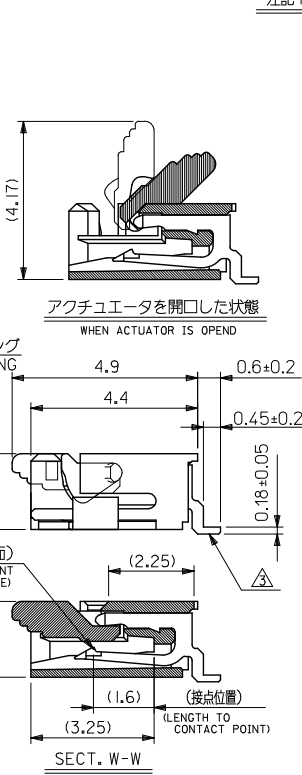
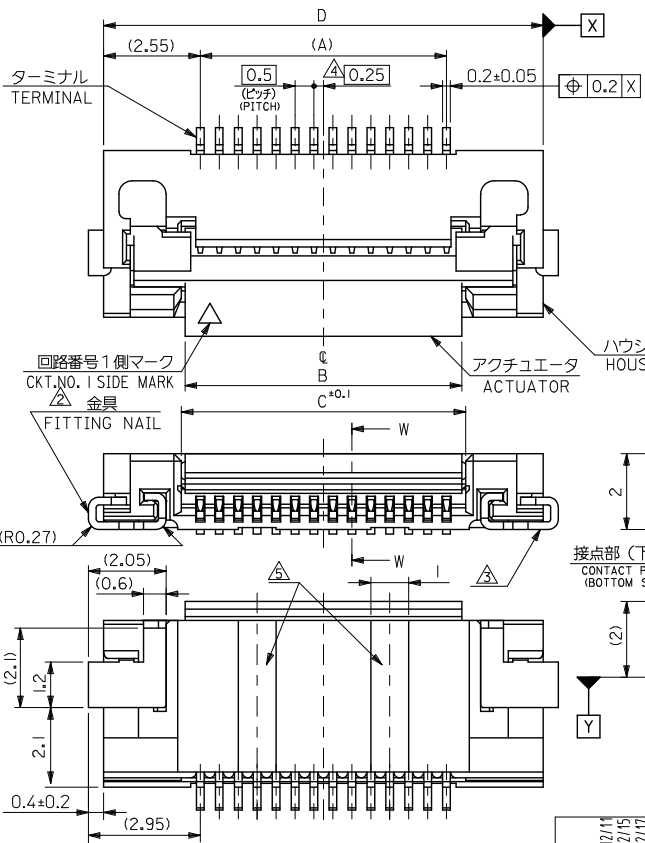
Click to view price, real time Inventory, Delivery & Lifecycle Information:

[Molex Connector Corporation](#)
[0528931895](#)

For any questions, you can email us directly:

sales@integrated-circuit.com

10 9 8 7 6 5 4 3 2 1



注記 NOTES

- I. 使用材料 MATERIAL**
 ハウジング: ポリアミド46, ガラス充填, UL94V-0 (白)
 HOUSING: POLYAMIDE46, GLASS FILLED, UL94V-0(WHITE)
 アクチュエータ: ポリアニリン/エポキシ/ガラス充填, UL94V-0 (茶)
 ACTUATOR: POLYPHENYLENE SULFIDE, GLASS FILLED, UL94V-0(BROWN)
 ターミナル: リン青銅 (t=0.2)
 TERMINAL: PHOSPOR BRONZE
 フィッティングネイル: ニッケル/スズメッキ
 FITTING NAIL: NICKEL UNDER PLATING/LO MICROMETER MINIMUM
 ニッケルメッキ: リン青銅 (t=0.2)
 PHOSPOR BRONZE
 ニッケルメッキ: TIN LO MICROMETER MINIMUM
 ニッケル/スズメッキ: NICKEL UNDER PLATING/LO MICROMETER MINIMUM
- △ パターンはくり止めの用金具
 FITTING NAIL FOR PREVENTION OF PEELING OF P.C.B. PATTERN.
 △ ソルダータール半田付け面の寸法、及び金具半田付け面の寸法は、基準面 Y に対し上下方向 0.05MAX. 下方向 0.2MAX. とし、相互のバラツキは、0.1MAX. とする。
 MISALIGNMENT OF SOLDER TAILS AND FITTING NAILS FROM Y UPPER DIRECTION: 0.05 MAX. LOWER DIRECTION: 0.2 MAX.
 MISALIGNMENT BETWEEN SOLDER TAILS AND FITTING NAILS: 0.1MAX. 複数個に適用。
 APPLY FOR EVEN CIRCUIT.
 △ 18 極以上は 2ヶ所、10~17 極はハウジングセンター上に 1ヶ所とする。
 18 CKTS & MORE THAN 18 CKTS PLACED 2 POINT.
 10~17 CKTS PLACED 1 POINT ON HOUSING CENTER.

19.6	15.5	15.3	14.5	52893-3095	52893-3019	30
18.6	14.5	14.3	13.5	-2895	-2819	28
17.6	13.5	13.3	12.5	-2695	-2619	26
16.6	12.5	12.3	11.5	-2495	-2419	24
15.6	11.5	11.3	10.5	-2295	-2219	22
15.1	11.0	10.8	10.0	-2195	-2119	21
14.6	10.5	10.3	9.5	-2095	-2019	20
13.6	9.5	9.3	8.5	-1895	-1819	18
12.6	8.5	8.3	7.5	-1695	-1619	16
12.1	8.0	7.8	7.0	-1595	-1519	15
11.6	7.5	7.3	6.5	-1495	-1419	14
11.1	7.0	6.8	6.0	-1395	-1319	13
10.6	6.5	6.3	5.5	-1295	-1219	12
10.1	6.0	5.8	5.0	-1195	-1119	11
9.6	5.5	5.3	4.5	-1095	-1019	10
8.6	4.5	4.3	3.5	52893-0895	52893-0819	8

注記 NOTES

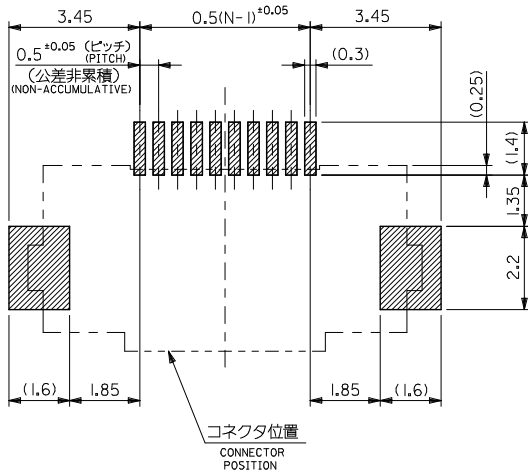
6. 本製品は 52893-***17 の鉛フリー品である。
 THIS PRODUCT IS LEAD FREE OF 52893-***17.

52893-***19 | MODEL NO.

REVISED EC NO: J2016-0623 DRAWN: SKITAZAWA 2015/12/11 CHKD: YKOBAYASHI 02/2016/02/15 APPR: IKUSUHARA01 2016/02/17	GENERAL TOLERANCES (UNLESS SPECIFIED)			DIMENSION STYLE		SCALE	DESIGN UNITS	THIRD ANGLE PROJECTION	
	0.25 UNDER	UNDER	±0.03	MM ONLY		---	METRIC		
	0.25 OVER	0.5 UNDER	±0.05	DRAWN BY		DATE			TITLE 0.5 FPC CONN ASSY ZIF SMT RA BTM CONT E/O TYPE -LEAD FREE-
	0.5 OVER	1.0 UNDER	±0.1	M. NAGATA		'04/01/09			
	1.0 OVER	10 UNDER	±0.2	CHECKED BY		DATE			
10 OVER	30 UNDER	±0.25	K. TOJO		'04/01/09				
30 OVER		±0.3	APPROVED BY		DATE		DOCUMENT NO. SD-52893-040		
ANGULAR	±3 °		M. SASAO		'04/01/09				
DRAFT WHERE APPLICABLE MUST REMAIN WITHIN DIMENSIONS			SIZE	SEE TABLE					

THIS DRAWING CONTAINS INFORMATION THAT IS PROPRIETARY TO MOLEX ELECTRONIC TECHNOLOGIES, LLC AND SHOULD NOT BE USED WITHOUT WRITTEN PERMISSION

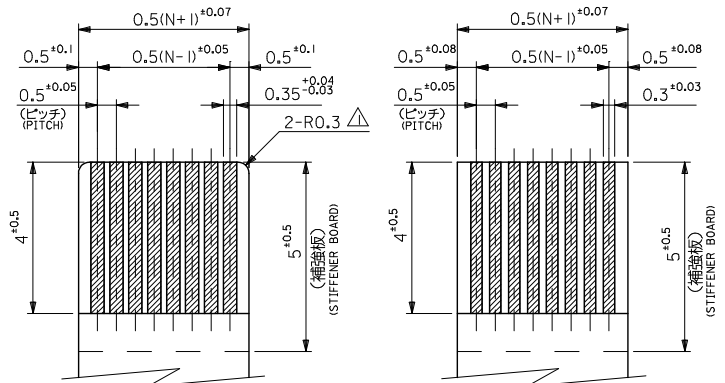
10 9 8 7 6 5 4 3 2 1



参考基板レイアウト
RECOMMENDED P.C.B. BOARD
PATTERN DIMENSION (REF.)
(マウント面)
(MOUNTING SIDE)

注記 NOTES

△ R.O. 3は、FPCの薄体部にかからないこと。
R.O.3 MUST NOT BE OVERLAPPED TO PATTERN OF FPC.



適合FPC推奨寸法
APPLICABLE FPC
RECOMMENDED DIMENSION
(仕上がり厚さ: 0.3±0.03)
(THICKNESS: 0.3±0.03)

適合FFC推奨寸法
APPLICABLE FFC
RECOMMENDED DIMENSION
(仕上がり厚さ: 0.3±0.03)
(THICKNESS: 0.3±0.03)

FPCについて:
打抜き方向は導体側から補強板側を推奨致します。
補強フィルム材質はポリイミドを推奨致します。
接着剤は熱硬化接着剤を推奨致します。

ABOUT FPC:
RECOMMENDED PUNCHER DIRECTION: FROM CONDUCTOR SIDE TO STIFFENER BOARD SIDE.
RECOMMENDED MATERIAL:
STIFFENER FILM: POLYIMIDE
BONDING AGENT: THERMOSETTING BONDING AGENT

52893-***19 | MODEL NO.

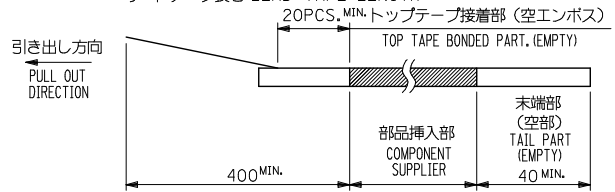
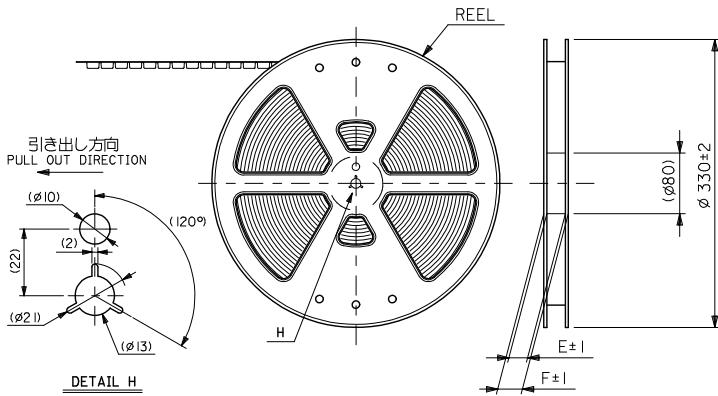
REVISED EC NO: J2016-0623 DRAWN: SKITAZAMA 2015/12/11 CHKD: YKOBAYASHI 2016/02/15 APPR: IKUSUHARA01 2016/02/17	GENERAL TOLERANCES (UNLESS SPECIFIED)			DIMENSION STYLE		SCALE	DESIGN UNITS	52893-***19 MODEL NO.	
	0.25	UNDER	±0.03	MM ONLY		---	METRIC	THIRD ANGLE PROJECTION	
	0.25	OVER	±0.05	DRAWN BY	DATE	TITLE			
	0.5	OVER	±0.1	M. NAGATA	'04/01/09	0.5 FPC CONN ASSY ZIF			
	1.0	OVER	±0.2	CHECKED BY	DATE	SMT RA BTM CONT E/O TYPE			
	10	OVER	±0.25	K. TOJO	'04/01/09	-LEAD FREE-			
30	OVER	±0.3	APPROVED BY	DATE	MATERIAL NO.		DOCUMENT NO.	SHEET NO.	
ANGULAR	±3°		M. SASAO	'04/01/09	SEE SHEET 1		SD-52893-040	2 OF 2	
DRAFT WHERE APPLICABLE MUST REMAIN WITHIN DIMENSIONS			SIZE	THIS DRAWING CONTAINS INFORMATION THAT IS PROPRIETARY TO MOLEX ELECTRONIC TECHNOLOGIES, LLC AND SHOULD NOT BE USED WITHOUT WRITTEN PERMISSION					
			A3						

9 8 7 6 5 4 3 2 1

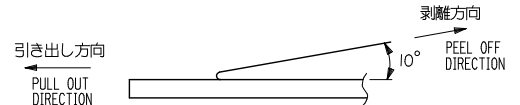
10 9 8 7 6 5 4 3 2 1

注記 NOTES

- 製品詳細寸法については図面 SD-52893-040 を参照下さい。
RE DETAILED DIMENSION, SEE SD-52893-040
- 梱包数量：1000個/リール
NUMBER OF CONNECTORS：1000PCS/REEL
- リードテープ長さ LEAD TAPE LENGTH



- トップテープの剥離強度：0.1～1.3N/10 ～ 130gf (剥離方向は下図参照)
尚、本規格値は出荷時に適用。(但し、輸送時に剥離が発生しないこと。)
PEELING OFF FORCE OF TOP TAPE：0.1～1.3N/10 ～ 130gf (PEELING DIRECTION AS SHOWN IN FOLLOWING FIG.)
THIS REQUIREMENT SHOULD BE APPLIED AT SHIPMENT.
PEEL OFF SHOULD NOT BE ALLOWED, DURING TRANSPORTATION.



- 材料 キャリアテープ：ポリプロピレン (PP)
トップテープ：PET, PE, PEF
リール：ポリスチレン (PS) <リサイクル材を含む>

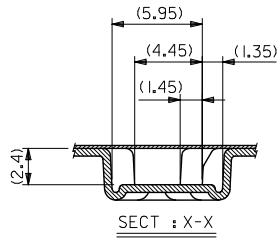
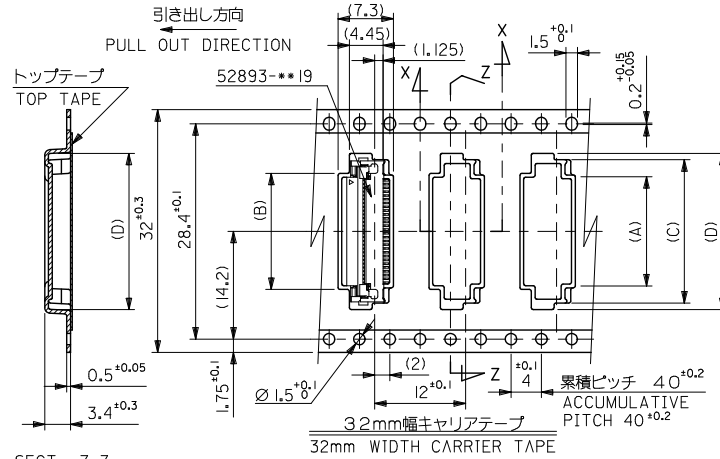
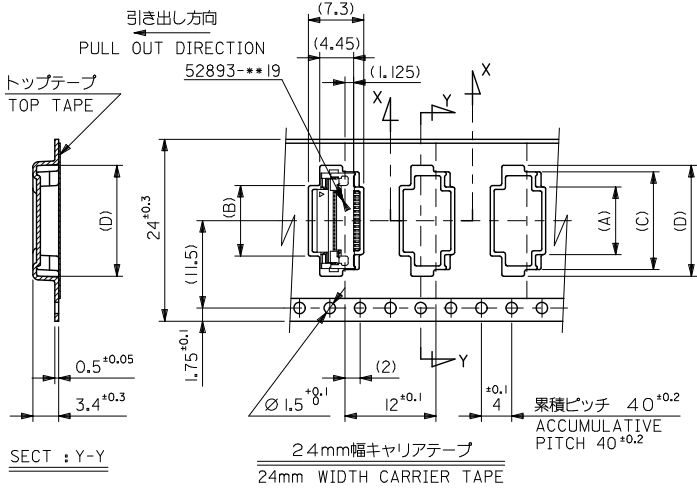
MATERIAL CARRIER TAPE:POLYPROPYLENE
TOP TAPE:PET,PE,PEF
REEL:POLYSTYRENE(PS)
<RECYCLE MATERIAL CONTAINED>

- 本製品は 52893-***90 の鉛フリー品である。
THIS PRODUCT IS LEAD FREE OF 52893-***90

REVISED EC NO: J2016-0623 DRAWN:SKITAZAMA 2015/12/11 CHKD:YKOBAYASHI 2016/02/15 APPR:IKUSUHARA01 2016/02/17	GENERAL TOLERANCES (UNLESS SPECIFIED)		DIMENSION STYLE MM ONLY		SCALE ---	DESIGN UNITS METRIC	THIRD ANGLE PROJECTION
	0.25 UNDER	UNDER	±0.03	DRAWN BY M. NAGATA	DATE '04/01/09	TITLE 0.5 FPC CONN ASSY ZIF	
	0.25 OVER	0.5 UNDER	±0.05	CHECKED BY K. TOJO	DATE '04/01/09	-LEAD FREE-	
	0.5 OVER	1.0 UNDER	±0.1	APPROVED BY	DATE	molex	
	1.0 OVER	10 UNDER	±0.2	MATERIAL NO.	DOCUMENT NO.	SD-52893-041	
10 OVER	30 UNDER	±0.25	ENTER PART		SHEET NO. 1 OF 2		
30 OVER		±0.3	DRAFT WHERE APPLICABLE MUST REMAIN WITHIN DIMENSIONS				
ANGULAR		±3 °	THIS DRAWING CONTAINS INFORMATION THAT IS PROPRIETARY TO MOLEX ELECTRONIC TECHNOLOGIES, LLC AND SHOULD NOT BE USED WITHOUT WRITTEN PERMISSION				

9 8 7 6 5 4 3 2 1

10 9 8 7 6 5 4 3 2 1



32	37.4	33.4	21.6	19.9	16.1	15.9	52893-3095	30
			20.6	18.9	15.1	14.9	-2895	28
24	29.4	25.4	19.6	17.9	14.1	13.9	-2695	26
			18.6	16.9	13.1	12.9	-2495	24
			17.6	15.9	12.1	11.9	-2295	22
			17.1	15.4	11.6	11.4	-2195	21
			16.6	14.9	11.1	10.9	-2095	20
			15.6	13.9	10.1	9.9	-1895	18
			14.6	12.9	9.1	8.9	-1695	16
			14.1	12.4	8.6	8.4	-1595	15
			13.6	11.9	8.1	7.9	-1495	14
			13.1	11.4	7.6	7.4	-1395	13
12.6	10.9	7.1	6.9	-1295	12			
12.1	10.4	6.6	6.4	-1195	11			
11.6	9.9	6.1	5.9	-1095	10			
10.6	8.9	5.1	4.9	52893-0895	8			
キャリアテープ幅 CARRIER TAPE WIDTH		F	E	(D)	(C)	(B)	(A)	MATERIAL NO. 回路 CIRCUIT

REVISED EC NO: J2016-0623 DRAWN: SKITAZAWA 2015/12/11 CHKD: YKOBAYASHI 02/2016/02/15 APPR: IKUSUHARA01 2016/02/17	GENERAL TOLERANCES (UNLESS SPECIFIED)		DIMENSION STYLE MM ONLY		SCALE ---	DESIGN UNITS METRIC	THIRD ANGLE PROJECTION
	0.25 UNDER	UNDER	± 0.03	DRAWN BY	DATE	TITLE	
	0.25 OVER	0.5 UNDER	± 0.05	M. NAGATA	'04/01/09	0.5 FPC CONN ASSY ZIF	
	0.5 OVER	1.0 UNDER	± 0.1	CHECKED BY	DATE	-LEAD FREE-	
	1.0 OVER	10 UNDER	± 0.2	K. TOJO	'04/01/09	molex	
10 OVER	30 UNDER	± 0.25	APPROVED BY	DATE	MATERIAL NO.	DOCUMENT NO.	SHEET NO.
30 OVER		± 0.3	ENTER PART		SD-52893-041		2 OF 2
ANGULAR	± 3 °	THIS DRAWING CONTAINS INFORMATION THAT IS PROPRIETARY TO MOLEX ELECTRONIC TECHNOLOGIES, LLC AND SHOULD NOT BE USED WITHOUT WRITTEN PERMISSION					

9 8 7 6 5 4 3 2 1