

Excellent Integrated System Limited

Stocking Distributor

Click to view price, real time Inventory, Delivery & Lifecycle Information:

[Molex Connector Corporation](#)
[0541020504](#)

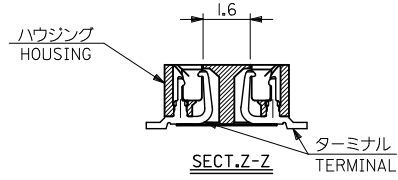
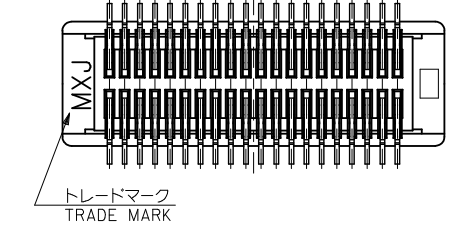
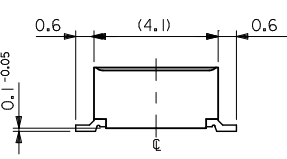
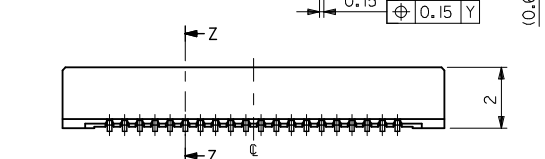
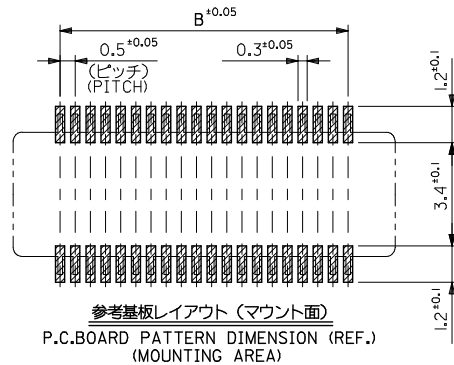
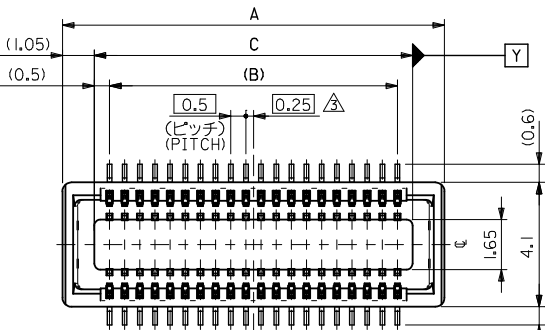
For any questions, you can email us directly:

sales@integrated-circuit.com

10 9 8 7 6 5 4 3 2 1

注記 NOTES:

1. 使用材料 MATERIAL
 ハウジング: 液晶ポリマー(LCP), ガラス充填, UL94V-0, 色: 黒
 HOUSING: LIQUID CRYSTAL POLYMER, GLASS FILLED, UL94V-0, COLOR: BLACK
 ターミナル: リン青銅 (t=0.15)
 TERMINAL: PHOSPHOR BRONZE (t=0.15)
2. メッキ仕様 PLATING
 金メッキ 0.25マイクロメートル以上 (コンタクト部)
 GOLD(AU) 0.25 MICROMETER MINIMUM (CONTACT AREA)
 金メッキ (テール部)
 GOLD PLATING (SOLDER TAIL AREA)
 下地メッキ: ニッケルメッキ 1.5マイクロメートル以上
 UNDER PLATING : NICKEL 1.5 MICROMETER MINIMUM
 *コンタクト部とテール部はニッケルメッキによって分断されている金メッキです。
 DIVIDE INTO PARTS THE GOLD PLATING OF THE CONTACT PART AND THE TAIL PART BY THE NICKEL PLATING.
- △ (全極数/2) = 偶数の場合に適用。
 APPLY FOR (CIRCUIT/2)=EVEN.
- 4 嵌合相手: 53885 / 500334 シリーズ
 MATE WITH : 53885 / 500334 SERIES.
- 5 テール平坦度は, 0.1MAX.
 TAIL COPLANARITY TO BE 0.1 MAXIMUM.
- 6 ELV及びRoHS適合品。
 ELV AND RoHS COMPLIANT.



20.5	19.5	22.6	54102-0804	80
18.0	17.0	20.1	-0704	70
15.5	14.5	17.6	-0604	60
13.0	12.0	15.1	-0504	50
10.5	9.5	12.6	-0404	40
8.0	7.0	10.1	-0304	30
5.5	4.5	7.6	-0204	20
4.5	3.5	6.6	54102-0164	16
C	B	A	EMBOSSED PACKAGE オーダー番号 ORDER No.	極数 CIRCUIT

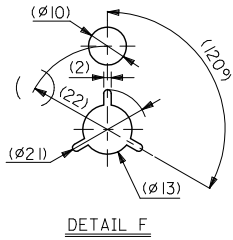
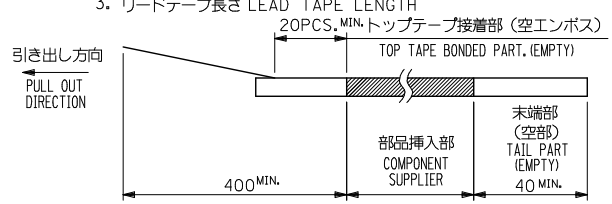
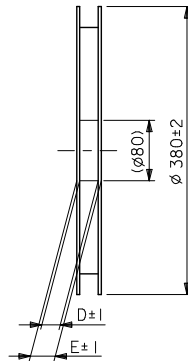
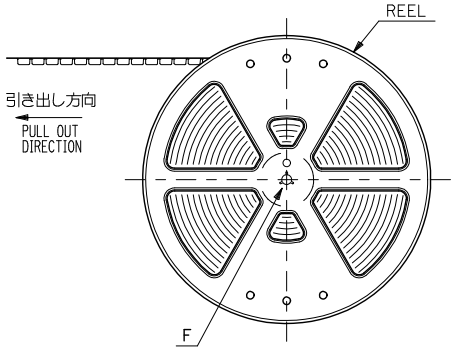
CONNECTOR SERIER No. 54102-***3

REVISED EC NO. J2013-1267 DRAWN: TARA 01 2013/05/07 CHKD: TASHIKAWA 2013/05/08 APPR: HISASAO 2013/05/10	GENERAL TOLERANCES (UNLESS SPECIFIED)		DIMENSION STYLE MM ONLY	SCALE ---	DESIGN UNITS METRIC	THIRD ANGLE PROJECTION
	10 UNDER	± 0.2	DRAWN BY Y. SAKIYA	DATE 2004/05/06	TITLE 0.5 B-TO-B CONN REC HSG ASSY(HGT=2.5) [NI BARRIER]	
	10 OVER 30 UNDER	± 0.25	CHECKED BY M. SASAO	DATE 2004/05/06		
	30 OVER	± 0.3	APPROVED BY M. SASAO	DATE 2004/05/06		
ANGULAR ± 3 °		MATERIAL NO.		DOCUMENT NO.		SHEET NO.
DRAFT WHERE APPLICABLE MUST REMAIN WITHIN DIMENSIONS		SEE CHART		SD-54102-006		1 OF 1
THIS DRAWING CONTAINS INFORMATION THAT IS PROPRIETARY TO MOLEX INCORPORATED AND SHOULD NOT BE USED WITHOUT WRITTEN PERMISSION						

9 8 7 6 5 4 3 2 1

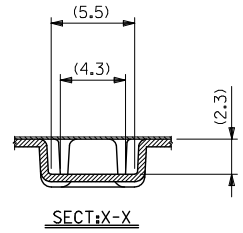
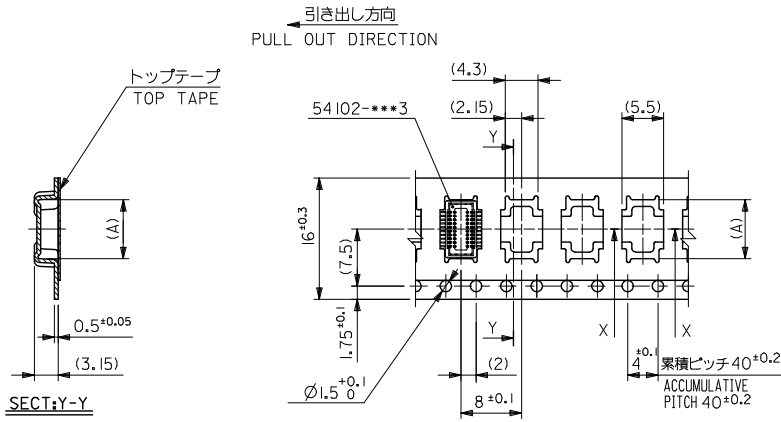
NOTES

- 製品詳細寸法については図面 SD-54102-006 を参照下さい。
RE DETAILED DIMENSION, SEE SD-54102-006 .
- 梱包数量: 3000個/リール
NUMBER OF CONNECTORS : 3000PCS/REEL
- リードテープ長さ LEAD TAPE LENGTH
20PCS. MIN. トップテープ接着部 (空エンボス)
TOP TAPE BONDED PART. (EMPTY)
- カバーテープの剥離強度については、IEC60286-3に準拠
COVER TAPE PEEL FORCE IS DEFINED BY IEC60286-3.
- 材料 (MATERIAL)
キャリアテープ (CARRIER TAPE): ポリプロピレン (POLYPROPYLENE)
トップテープ (TOPTAPE): PET, PE, PEF
リール (REEL): ポリスチレン (PS) <リサイクル材を含む>
POLYSTYRENE (PS) <RECYCLE MATERIAL CONTAINED>



REVISED IEC NO. J2013-1267 DRAWN: TARA 01 2013/05/07 CHKD: TASHIKAWA 2013/05/08 APPR: HISASAO 2013/05/10	GENERAL TOLERANCES (UNLESS SPECIFIED)		DIMENSION STYLE MM ONLY	SCALE ---	DESIGN UNITS METRIC	THIRD ANGLE PROJECTION
	10 UNDER	± 0.2	DRAWN BY Y. SAKIYA	DATE 2004/05/06	TITLE EMBSTP PKG FOR 0.5 B/B REC HSG ASSY (H=2.5) [NI BARRIER]-LEAD FREE-	
	10 OVER 30 UNDER	± 0.25	CHECKED BY M. SASAO	DATE 2004/05/06		
	30 OVER	± 0.3	APPROVED BY M. SASAO	DATE 2004/05/06		
B	ANGULAR $\pm 3^\circ$	DRAFT WHERE APPLICABLE MUST REMAIN WITHIN DIMENSIONS	MATERIAL NO. SEE CHART	DOCUMENT NO. SD-54102-007	SHEET NO. 1 OF 4	
SIZE A3 THIS DRAWING CONTAINS INFORMATION THAT IS PROPRIETARY TO MOLEX INCORPORATED AND SHOULD NOT BE USED WITHOUT WRITTEN PERMISSION						

10 9 8 7 6 5 4 3 2 1



16mm幅キャリアテープ
16mm WIDTH CARRIER TAPE

16	21.4	17.4	7.8	54102-0204	20
			6.8	54102-0164	16
キャリアテープ幅 CARRIER TAPE WIDTH	E	D	(A)	EMBOSSED TAPE PACKAGE ORDER No.	種数 CIRCUITS

REVISED EC NO. J2013-1267 DRAWN: TARA 01 2013/05/07 CHKD: TASAKAWA 2013/05/08 APPR: SASAO 2013/05/10	DESCRIPTION	GENERAL TOLERANCES (UNLESS SPECIFIED)		DIMENSION STYLE		SCALE	DESIGN UNITS	CONNECTOR SERIES No. 54102-***4		
				MM ONLY		---	METRIC	THIRD ANGLE PROJECTION		
		10 UNDER	± 0.2	DRAWN BY	DATE	TITLE				
		10 OVER 30 UNDER	± 0.25	Y. SAKIYA	2004/05/06	EMBSTP PKG FOR 0.5 B/B REC HSG ASSY (H=2.5) [NI BARRIER]-LEAD FREE-				
30 OVER	± 0.3	CHECKED BY	DATE	molex						
ANGULAR	± 3 °	M. SASAO	2004/05/06							
DRAFT WHERE APPLICABLE MUST REMAIN WITHIN DIMENSIONS		MATERIAL NO.		SEE CHRAT		DOCUMENT NO.		SD-54102-007		
		SIZE		THIS DRAWING CONTAINS INFORMATION THAT IS PROPRIETARY TO MOLEX INCORPORATED AND SHOULD NOT BE USED WITHOUT WRITTEN PERMISSION						

9 8 7 6 5 4 3 2

10 9 8 7 6 5 4 3 2 1

F

E

D

C

B

A

F

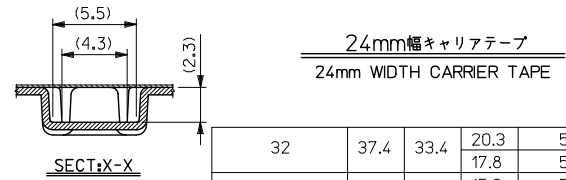
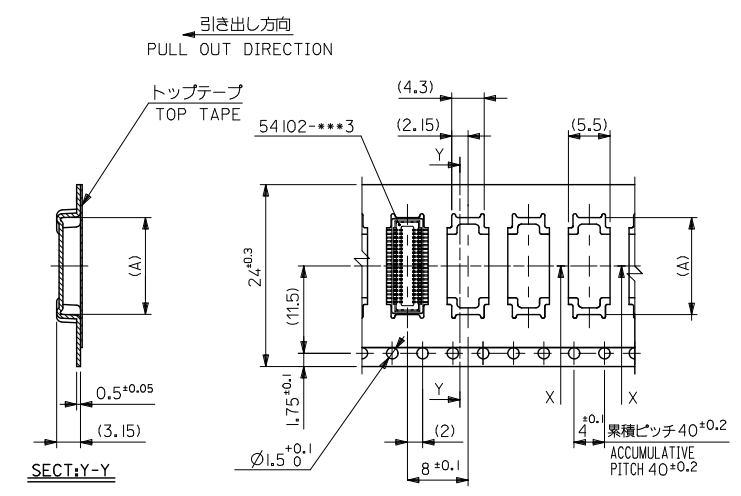
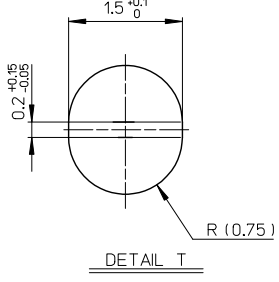
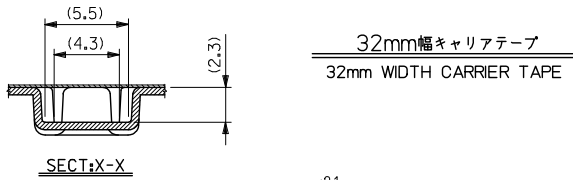
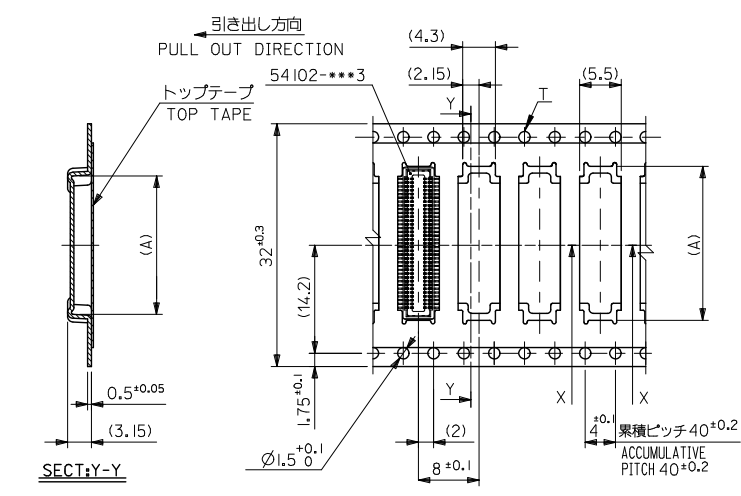
E

D

C

B

A

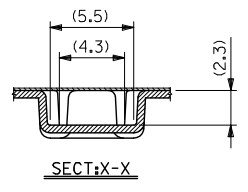
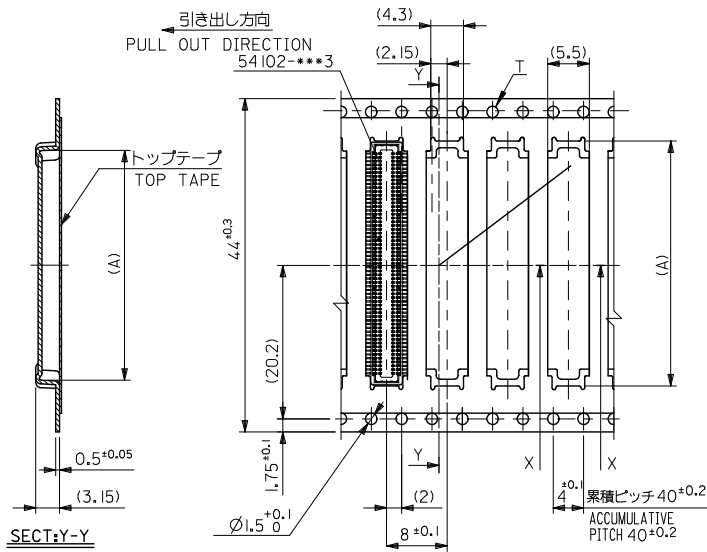


32	37.4	33.4	20.3	54102-0704	70
			17.8	54102-0604	60
24	29.4	25.4	15.3	54102-0504	50
			12.8	54102-0404	40
			10.3	54102-0304	30
キャリアテープ幅 CARRIER TAPE WIDTH	E	D	(A)	EMBOSSED TAPE PACKAGE ORDER No.	種数 CIRCUITS

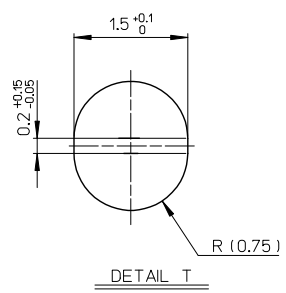
REVISED EC NO. J2013-1267 DRAWN: TARA 01 2013/05/07 CHKD: TASHIKAWA 2013/05/08 APPR: HISASAO 2013/05/10	DESCRIPTION	GENERAL TOLERANCES (UNLESS SPECIFIED)		DIMENSION STYLE		SCALE	DESIGN UNITS	CONNECTOR SERIES No. 54102-***4 THIRD ANGLE PROJECTION
		10 UNDER ±0.2		MM ONLY		---	METRIC	
		10 OVER 30 UNDER ±0.25		DRAWN BY DATE		TITLE		
		30 OVER ±0.3		Y. SAKIYA 2004/05/06		EMBSTP PKG FOR 0.5 B/B REC HSG ASSY (H=2.5) [NI BARRIER]-LEAD FREE-		
		ANGULAR ±3 °		CHECKED BY DATE		molex		
DRAFT WHERE APPLICABLE MUST REMAIN WITHIN DIMENSIONS		APPROVED BY DATE		MATERIAL NO.		DOCUMENT NO.	SHEET NO.	
		M. SASAO 2004/05/06		SEE CHART		SD-54102-007	3 OF 4	
				THIS DRAWING CONTAINS INFORMATION THAT IS PROPRIETARY TO MOLEX INCORPORATED AND SHOULD NOT BE USED WITHOUT WRITTEN PERMISSION				

9 8 7 6 5 4 3 2

10 9 8 7 6 5 4 3 2 1



44mm幅キャリアテープ
44mm WIDTH CARRIER TAPE



44	49.4	45.4	22.8	54102-0804	80
キャリアテープ幅 CARRIER TAPE WIDTH	E	D	(A)	EMBOSSED TAPE PACKAGE ORDER No.	種数 CIRCUITS

REVISED IEC NO. J2013-1267 DRAWN: TARA 01 2013/05/07 CHKD: TASHIKAWA 2013/05/08 APPR: MSASAO 2013/05/10 REV B	GENERAL TOLERANCES (UNLESS SPECIFIED)		DIMENSION STYLE MM ONLY		SCALE ---	DESIGN UNITS METRIC	THIRD ANGLE PROJECTION
	10 UNDER	±0.2	DRAWN BY Y. SAKIYA	DATE 2004/05/06	TITLE EMBSTP PKG FOR 0.5 B/B REC HSG ASSY (H=2.5) [NI BARRIER]-LEAD FREE-		
	10 OVER 30 UNDER	±0.25	CHECKED BY M. SASAO	DATE 2004/05/06	molex DOCUMENT NO. SD-54102-007 SHEET NO. 4 OF 4		
	30 OVER	±0.3	APPROVED BY MSASAO	DATE 2013/05/10			
ANGULAR ±3 °		MATERIAL NO.		SEE CHART			
DRAFT WHERE APPLICABLE MUST REMAIN WITHIN DIMENSIONS		THIS DRAWING CONTAINS INFORMATION THAT IS PROPRIETARY TO MOLEX INCORPORATED AND SHOULD NOT BE USED WITHOUT WRITTEN PERMISSION					

9 8 7 6 5 4 3 2 1