

Excellent Integrated System Limited

Stocking Distributor

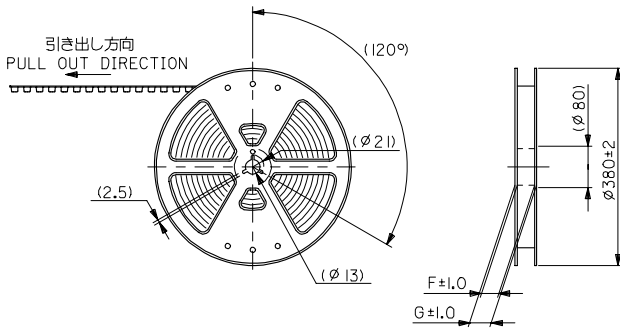
Click to view price, real time Inventory, Delivery & Lifecycle Information:

[Molex Connector Corporation](#)
[0543630389](#)

For any questions, you can email us directly:

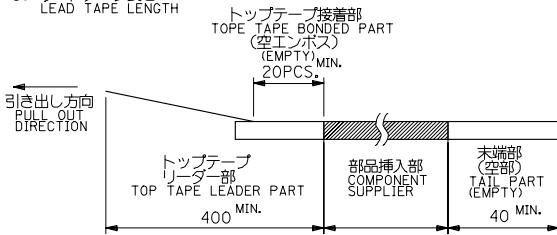
sales@integrated-circuit.com

10 9 8 7 6 5 4 3 2 1



注)
NOTES

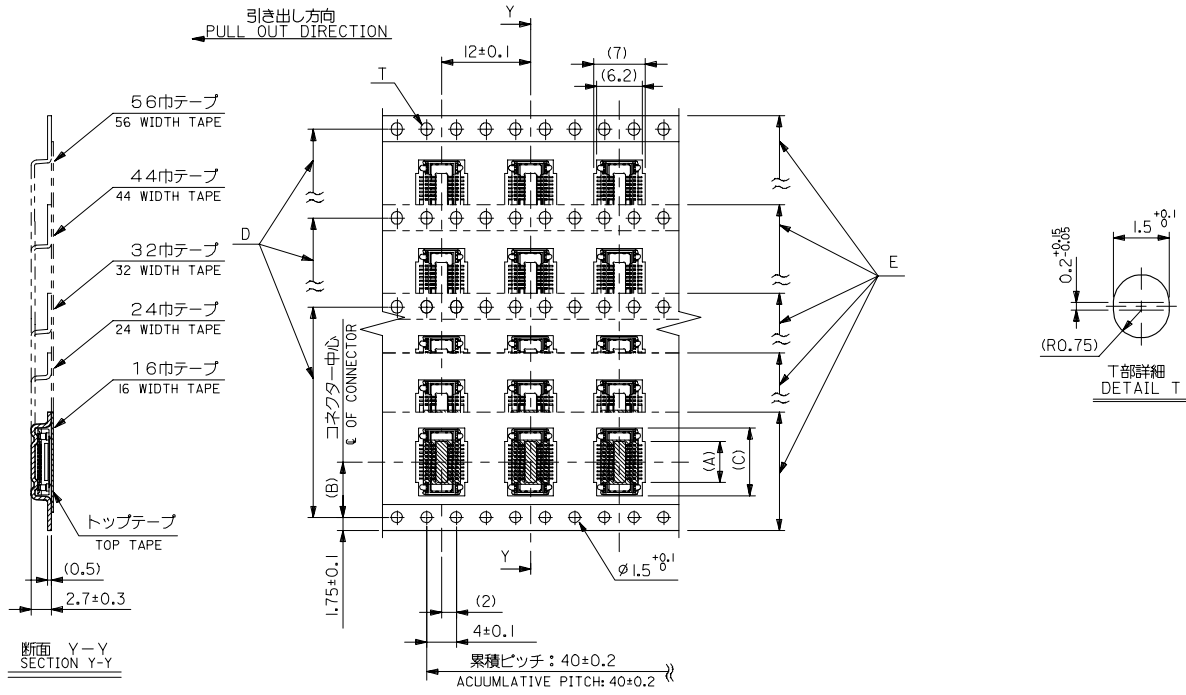
1. 製品番号54363-**81 詳細寸法については、製品単体図面を参照下さい。
IN THE PACKAGE PART NUMBER 54363-**81 DETAILED DIMENSIONS, SEE SALES DRAWING FOR CONNECTOR.
2. 梱包数量: 2500個/リール
NUMBER OF CONNECTORS: 2500 PCS/REEL.
3. リードテープ長さ
LEAD TAPE LENGTH



4. 材料
MATERIAL
キャリアテープ: ポリプロピレン (PP)
CARRIER TAPE: POLYPROPYLENE (PP)
トップテープ: PET, PE, PEF
TOP TAPE: PET, PE, PEF
リール: ポリスチレン
REEL: POLYSTYRENE

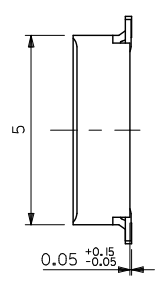
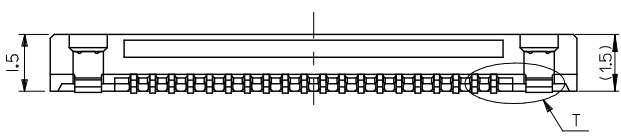
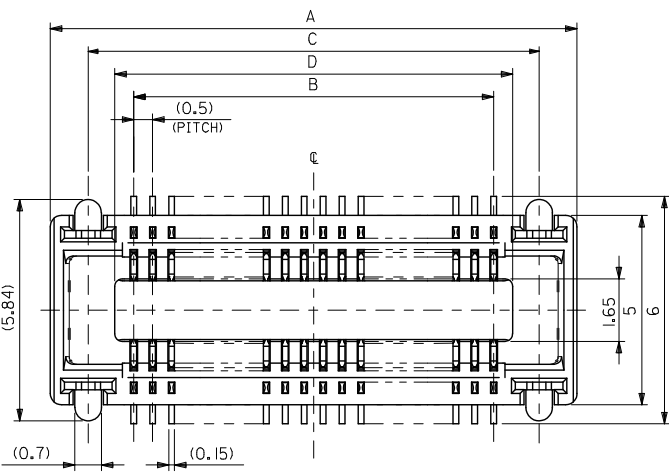
61.4	57.4	56±0.3	52.4	44.2	26.2	40.55	54363-1689	160	—
				39.2		35.55	54363-1489	140	○
				34.2		30.55	54363-1289	120	○
				31.7		28.05	54363-1189	110	○
49.4	45.4	44±0.3	40.4	29.2	20.2	25.55	54363-1089	100	○
				26.7		23.05	54363-0989	90	—
				24.2		20.55	54363-0889	80	○
37.4	33.4	32±0.3	28.4	21.7	14.2	18.05	54363-0789	70	○
				19.2		15.55	54363-0689	60	○
				16.7		13.05	54363-0589	50	○
29.4	25.4	24±0.3	—	14.2	11.5	10.55	54363-0489	40	○
				11.7		8.05	54363-0389	30	○
21.4	17.4	16±0.3	—	9.2	7.5	5.55	54363-0289	20	○
G	F	E	D	(C)	(B)	(A)	製品番号 MATERIAL NO.	極数 CIRCUITS	量産対応 AVAILABLE

REVISED EC NO: J2007-1632 DRW: MABEI CHK: K. TOYODA APP: N. UKITA	DESCRIPTION 2006/12/05 2006/12/06 2006/12/07	GENERAL TOLERANCES (UNLESS SPECIFIED)		DIMENSION STYLE MM ONLY		SCALE ---	DESIGN UNITS METRIC	THIRD ANGLE PROJECTION		
		10 UNDER ±0.2	10 OVER 30 UNDER ±0.25	30 OVER ±0.3	ANGULAR ±3 °	DRAFT WHERE APPLICABLE MUST REMAIN WITHIN DIMENSIONS	DRAWN BY Y. AOYAGI	DATE 2006/11/08	TITLE EMBOSSD TAPÉ PACKAGE FOR 54363-**81	
		SEE CHART			MATERIAL NO.		DOCUMENT NO.		SHEET NO.	
		SIZE A3			THIS DRAWING CONTAINS INFORMATION THAT IS PROPRIETARY TO MOLEX INCORPORATED AND SHOULD NOT BE USED WITHOUT WRITTEN PERMISSION		SD-54363-049		1 OF 2	



REVISED EC NO: J2007-1632 DRAWN BY: DR/NNMABEI CHECKED BY: CH/KDK/TOYODA APPR: NIKITA 2006/12/05 2006/12/06 2006/12/07	GENERAL TOLERANCES (UNLESS SPECIFIED)		DIMENSION STYLE MM ONLY		SCALE ---	DESIGN UNITS METRIC	THIRD ANGLE PROJECTION
	10 UNDER	±0.2	DRAWN BY Y.AOYAGI	DATE 2006/11/08	TITLE EMBOSSD TAPE PACKAGE FOR 54363-***81		
	10 OVER 30 UNDER	±0.25	CHECKED BY K.TOYODA	DATE 2006/11/08	APPROVED BY N.UKITA		
	30 OVER	±0.3	DATE 2006/11/08	MOLEX INCORPORATED			
ANGULAR	±3°	MATERIAL NO. SEE SHEET 1		DOCUMENT NO. SD-54363-049		SHEET NO. 2 OF 2	
DRAFT WHERE APPLICABLE MUST REMAIN WITHIN DIMENSIONS		SIZE A3 THIS DRAWING CONTAINS INFORMATION THAT IS PROPRIETARY TO MOLEX INCORPORATED AND SHOULD NOT BE USED WITHOUT WRITTEN PERMISSION					

10 9 8 7 6 5 4 3 2 1



注記
NOTES:

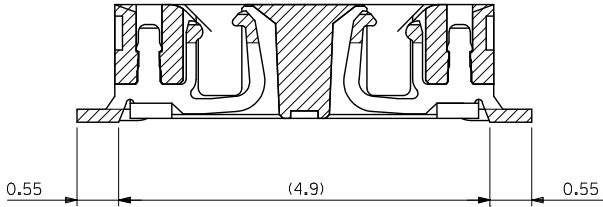
1. 材質
MATERIAL
ハウジング: LCP (液晶ポリマー)、ガラス充填、黒色、UL94V-0
HOUSING: LCP (LIQUID CRYSTAL POLYMER), GLASS FILLED, BLACK, UL94V-0
ターミナル: 銅合金 (t=0.15)
TERMINAL: COPPER ALLOY (t=0.15)
ネイル: 銅合金 (t=0.2)
NAIL: COPPER ALLOY (t=0.2)
2. メッキ仕様
PLATING
ターミナル
TERMINAL
接点部: 金メッキ 0.25マイクロメートル以上
CONTACT AREA: GOLD 0.25 MICROMETER MINIMUM
下地メッキ: ニッケルメッキ 1.0マイクロメートル以下
UNDER PLATING: NICKEL 1.0 MICROMETER MINIMUM
半田付部: 金メッキ 0.4マイクロメートル以下
SOLDER TAIL AREA: GOLD 0.4 MICROMETER MAXIMUM
下地メッキ: ニッケルメッキ 1.5マイクロメートル以上
UNDER PLATING: NICKEL 1.5 MICROMETER MINIMUM
ネイル
NAIL
鍍メッキ 3.0マイクロメートル以上
TIN 3.0 MICROMETER MINIMUM
下地メッキ: ニッケルメッキ 1.0マイクロメートル以上
UNDER PLATING: NICKEL 1.0 MICROMETER MINIMUM
平ら度は、0.08ミリメートル以下。テールとネイルを併せた
平ら度は、0.1ミリメートル以下。
TAIL COPLANARITY TO BE 0.08 MAXIMUM. TAILS AND NAILS
COPLANARITY TO BE 0.1 MAXIMUM.
3. テール
TAIL
配合相手: 55201-***, 55650-*** (H=2mm)
MATED CONN.: 55201-***, 55650-*** (H=2mm)
4. 本製品は、54363-***7 (エンボス梱包品 54363-***78) のニッケルバリア品である。
THIS PRODUCT IS 'NICKEL BARRIER' OF
54363-***71 (EMBOSSED TAPE PKG 54363-***78).

40.5	41.9	39.5	43.9	54363-1689	54363-1681	160	—
35.5	36.9	34.5	38.9	54363-1489	54363-1481	140	○
30.5	31.9	29.5	33.9	54363-1289	54363-1281	120	○
28	29.4	27	31.4	54363-1189	54363-1181	110	○
25.5	26.9	24.5	28.9	54363-1089	54363-1081	100	○
23	24.4	22	26.4	54363-0989	54363-0981	90	—
20.5	21.9	19.5	23.9	54363-0889	54363-0881	80	○
18	19.4	17	21.4	54363-0789	54363-0781	70	○
15.5	16.9	14.5	18.9	54363-0689	54363-0681	60	○
13	14.4	12	16.4	54363-0589	54363-0581	50	○
10.5	11.9	9.5	13.9	54363-0489	54363-0481	40	○
8	9.4	7	11.4	54363-0389	54363-0381	30	○
5.5	6.9	4.5	8.9	54363-0289	54363-0281	20	○
D	C	B	A	エンボス梱包品 EMBOSSED TAPE PACKAGING	製品番号 MATERIAL NO.	極数 CIRCUITS	量産対応 AVAILABLE

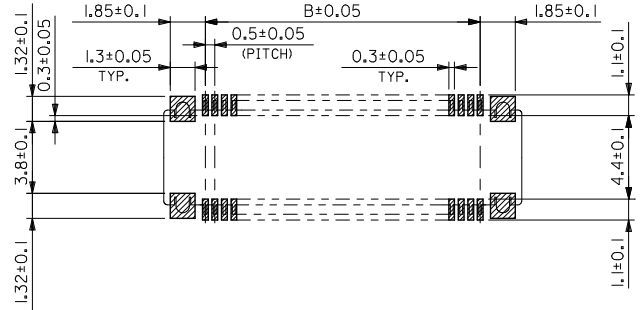
REVISED EC NO.: J2016-0601 DRAWN: FURUKAWA 2015/12/08 CHKD: TASHIKAWA 2015/12/08 APPR: MORIKAWA 2015/12/16 REV DESCRIPTION	GENERAL TOLERANCES (UNLESS SPECIFIED)		DIMENSION STYLE		SCALE	DESIGN UNITS	THIRD ANGLE PROJECTION
	0.25 UNDER	UNDER	±0.03	MM ONLY	10:1	METRIC	◎ □
	0.25 OVER	0.5 UNDER	±0.05	DRAWN BY	DATE	TITLE	
	0.5 OVER	1.0 UNDER	±0.1	Y. AOYAGI	2006/11/08	0.5 MM PITCH B/B CONN. WITH FITTING NAIL -LEAD FREE-	
	1.0 OVER	10 UNDER	±0.2	CHECKED BY	DATE		
10 OVER	30 UNDER	±0.25	K. TOYODA	2006/11/08			
30 OVER		±0.3	APPROVED BY	DATE	DOCUMENT NO.	SHEET NO.	
ANGULAR	±3 °		N. UKITA	2006/11/08	SD-54363-050	1 OF 2	
DRAFT WHERE APPLICABLE MUST REMAIN WITHIN DIMENSIONS			SIZE		THIS DRAWING CONTAINS INFORMATION THAT IS PROPRIETARY TO MOLEX ELECTRONIC TECHNOLOGIES, LLC AND SHOULD NOT BE USED WITHOUT WRITTEN PERMISSION		
			A3				

9 8 7 6 5 4 3 2 1

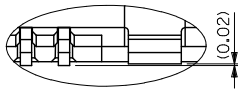
10 9 8 7 6 5 4 3 2 1



半田付付部陽詳細図
DETAIL FOR SOLDERING AREA



推奨基板寸法
RECOMMENDED PCB PATTERN LAYOUT
(SCALE 5:1)



寸部陽詳細
DETAIL T

REVISED EC NO: J2016-0601 DRWN: FURUKAWA 2015/12/08 CHKD: TASHIKAWA 2015/12/08 APPR: KIMORI KAWA 2015/12/16	GENERAL TOLERANCES (UNLESS SPECIFIED)			DIMENSION STYLE MM ONLY		SCALE 10:1	DESIGN UNITS METRIC	THIRD ANGLE PROJECTION
	0.25 UNDER	UNDER	±0.03	DRAWN BY	DATE	TITLE 0.5 MM PITCH B/B CONN. WITH FITTING NAIL -LEAD FREE-		
	0.25 OVER	0.5 UNDER	±0.05	Y. AOYAGI	2006/11/08	molex		
	0.5 OVER	1.0 UNDER	±0.1	CHECKED BY	DATE	DOCUMENT NO. SD-54363-050		
	1.0 OVER	10 UNDER	±0.2	K. TOYODA	2006/11/08	SHEET NO. 2 OF 2		
	10 OVER	30 UNDER	±0.25	APPROVED BY	DATE	THIS DRAWING CONTAINS INFORMATION THAT IS PROPRIETARY TO MOLEX ELECTRONIC TECHNOLOGIES, LLC AND SHOULD NOT BE USED WITHOUT WRITTEN PERMISSION		
30 OVER		±0.3	N. UKITA	2006/11/08				
ANGULAR ±3 °			MATERIAL NO. SEE SHEET 1					
DRAFT WHERE APPLICABLE MUST REMAIN WITHIN DIMENSIONS				SIZE A3				

9 8 7 6 5 4 3 2 1