

Excellent Integrated System Limited

Stocking Distributor

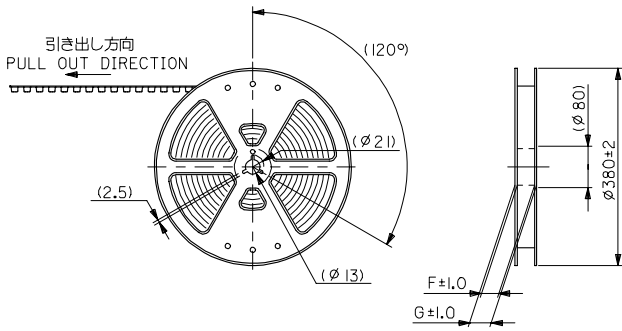
Click to view price, real time Inventory, Delivery & Lifecycle Information:

[Molex Connector Corporation](#)
[0543630489](#)

For any questions, you can email us directly:

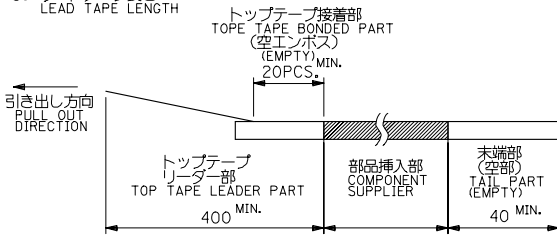
sales@integrated-circuit.com

10 9 8 7 6 5 4 3 2 1



注)
NOTES

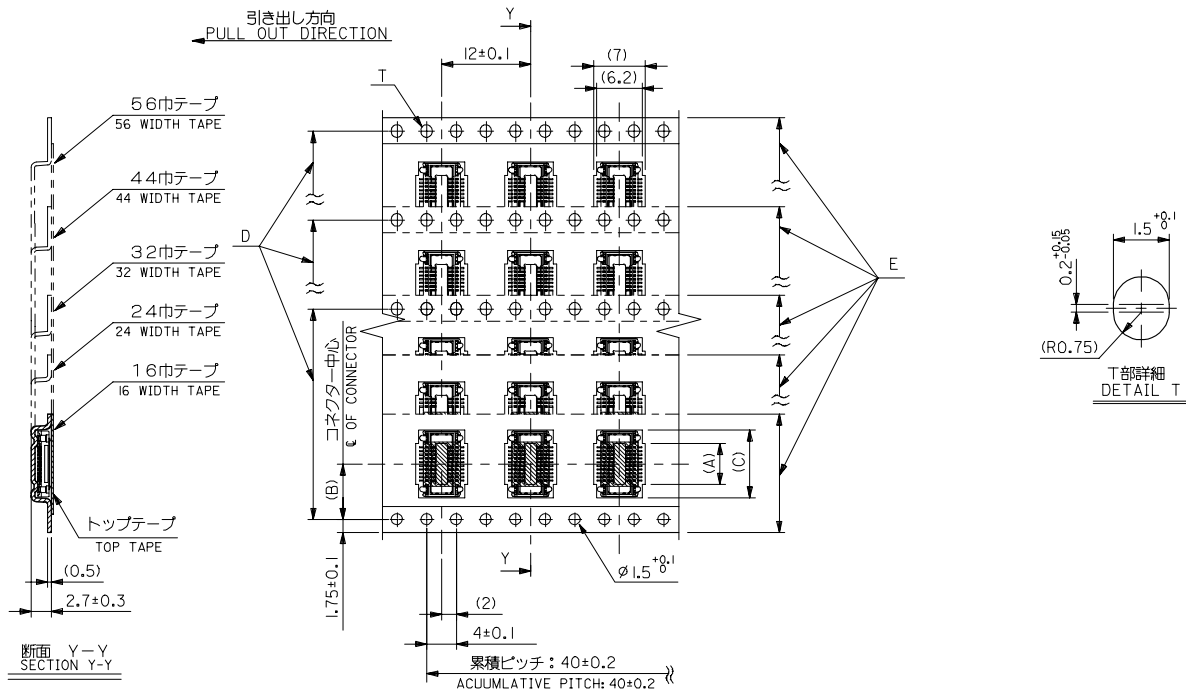
1. 製品番号 54363-**81 詳細寸法については、製品単体図面を参照下さい。
IN THE PACKAGE PART NUMBER 54363-**81 DETAILED DIMENSIONS, SEE SALES DRAWING FOR CONNECTOR.
2. 梱包数量: 2500個/リール
NUMBER OF CONNECTORS: 2500 PCS/REEL.
3. リードテープ長さ
LEAD TAPE LENGTH



4. 材料
MATERIAL
キャリアテープ: ポリプロピレン (PP)
CARRIER TAPE: POLYPROPYLENE (PP)
トップテープ: PET, PE, PEF
TOP TAPE: PET, PE, PEF
リール: ポリスチレン
REEL: POLYSTYRENE

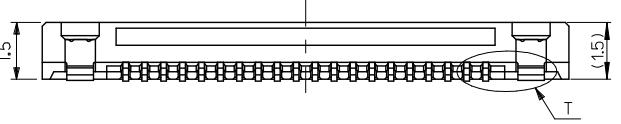
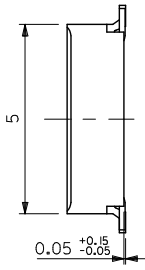
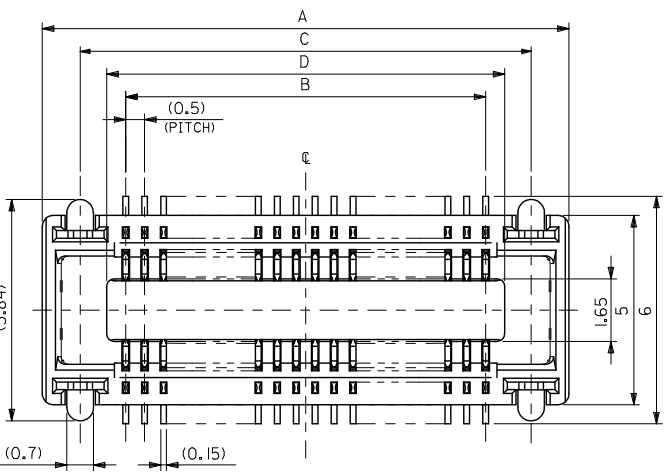
61.4	57.4	56±0.3	52.4	44.2	26.2	40.55	54363-1689	160	—
				39.2		35.55	54363-1489	140	○
				34.2		30.55	54363-1289	120	○
				31.7		28.05	54363-1189	110	○
49.4	45.4	44±0.3	40.4	29.2	20.2	25.55	54363-1089	100	○
				26.7		23.05	54363-0989	90	—
				24.2		20.55	54363-0889	80	○
37.4	33.4	32±0.3	28.4	21.7	14.2	18.05	54363-0789	70	○
				19.2		15.55	54363-0689	60	○
29.4	25.4	24±0.3	—	16.7	11.5	13.05	54363-0589	50	○
				14.2		10.55	54363-0489	40	○
21.4	17.4	16±0.3	—	11.7		8.05	54363-0389	30	○
				9.2	7.5	5.55	54363-0289	20	○
G	F	E	D	(C)	(B)	(A)	製品番号 MATERIAL NO.	極数 CIRCUITS	量産対応 AVAILABLE

REVISED EC NO: J2007-1632 DRAWN: MABEI 2006/12/06 CHKD: K. TOYODA 2006/12/06 APP: N. UKITA 2006/12/07	DESCRIPTION	GENERAL TOLERANCES (UNLESS SPECIFIED)		DIMENSION STYLE MM ONLY		SCALE	DESIGN UNITS	THIRD ANGLE PROJECTION		
		10 UNDER	±0.2	DRAWN BY	DATE	TITLE	EMBOSSED TAPE PACKAGE FOR 54363-**81			
		10 OVER 30 UNDER	±0.25	Y. AOYAGI	2006/11/08					
		30 OVER	±0.3	CHECKED BY	DATE					
ANGULAR ±3°		DRAFT WHERE APPLICABLE MUST REMAIN WITHIN DIMENSIONS		APPROVED BY	DATE	MOLEX INCORPORATED		SHEET NO. 1 OF 2		
SIZE A3		SEE CHART		N. UKITA	2006/11/08	SD-54363-049		THIS DRAWING CONTAINS INFORMATION THAT IS PROPRIETARY TO MOLEX INCORPORATED AND SHOULD NOT BE USED WITHOUT WRITTEN PERMISSION		



REVISED EC NO: J2007-1632 2006/12/05 DR/M/N/BAE 2006/12/06 CH/K/DK/TOYODA APPR/N/IKITA 2006/12/07	GENERAL TOLERANCES (UNLESS SPECIFIED)		DIMENSION STYLE MM ONLY		SCALE ---	DESIGN UNITS METRIC	THIRD ANGLE PROJECTION
	10 UNDER	±0.2	DRAWN BY Y.AOYAGI	DATE 2006/11/08	TITLE EMBOSSD TAPE PACKAGE FOR 54363-***81		
	10 OVER 30 UNDER	±0.25	CHECKED BY K.TOYODA	DATE 2006/11/08	MATERIAL NO. SD-54363-049		
	30 OVER	±0.3	APPROVED BY N.UKITA	DATE 2006/11/08	SHEET NO. 2 OF 2		
ANGULAR	±3°	DRAFT WHERE APPLICABLE MUST REMAIN WITHIN DIMENSIONS		SEE SHEET 1		MOLEX INCORPORATED	
SIZE A3		THIS DRAWING CONTAINS INFORMATION THAT IS PROPRIETARY TO MOLEX INCORPORATED AND SHOULD NOT BE USED WITHOUT WRITTEN PERMISSION					

10 9 8 7 6 5 4 3 2 1



注記
NOTES:

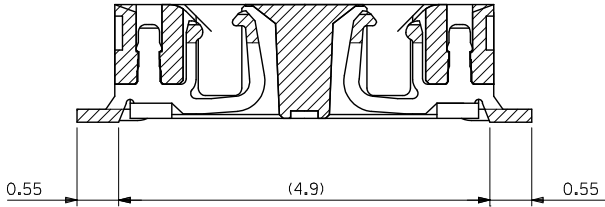
1. 材質
MATERIAL
ハウジング: LCP (液晶ポリマー)、ガラス充填、黒色、UL94V-0
HOUSING: LCP (LIQUID CRYSTAL POLYMER), GLASS FILLED, BLACK, UL94V-0
ターミナル: 銅合金 (t=0.15)
TERMINAL: COPPER ALLOY (t=0.15)
ネイル: 銅合金 (t=0.2)
NAIL: COPPER ALLOY (t=0.2)
2. メッキ仕様
PLATING
ターミナル
TERMINAL
接点部: 金メッキ 0.25マイクロメートル以上
CONTACT AREA: GOLD 0.25 MICROMETER MINIMUM
下地メッキ: ニッケルメッキ 1.0マイクロメートル以下
UNDER PLATING: NICKEL 1.0 MICROMETER MINIMUM
半田付部: 金メッキ 0.4マイクロメートル以下
SOLDER TAIL AREA: GOLD 0.4 MICROMETER MAXIMUM
下地メッキ: ニッケルメッキ 1.5マイクロメートル以上
UNDER PLATING: NICKEL 1.5 MICROMETER MINIMUM
ネイル
NAIL
鍍メッキ 3.0マイクロメートル以上
TIN 3.0 MICROMETER MINIMUM
下地メッキ: ニッケルメッキ 1.0マイクロメートル以上
UNDER PLATING: NICKEL 1.0 MICROMETER MINIMUM
平ら度は、0.08ミリメートル以下。テールとネイルを併せた
平坦度は、0.1ミリメートル以下。
TAIL COPLANARITY TO BE 0.08 MAXIMUM. TAILS AND NAILS
COPLANARITY TO BE 0.1 MAXIMUM.
3. テール
TAIL
配合相手: 55201-***、55650-*** (H=2mm)
MATED CONN.: 55201-***, 55650-*** (H=2mm)
4. 本製品は、54363-***7(エンボス梱包品 54363-***78)のニッケルバリア品である。
THIS PRODUCT IS 'NICKEL BARRIER' OF
54363-***71(EMBOSSED TAPE PKG 54363-***78).

40.5	41.9	39.5	43.9	54363-1689	54363-1681	160	—
35.5	36.9	34.5	38.9	54363-1489	54363-1481	140	○
30.5	31.9	29.5	33.9	54363-1289	54363-1281	120	○
28	29.4	27	31.4	54363-1189	54363-1181	110	○
25.5	26.9	24.5	28.9	54363-1089	54363-1081	100	○
23	24.4	22	26.4	54363-0989	54363-0981	90	—
20.5	21.9	19.5	23.9	54363-0889	54363-0881	80	○
18	19.4	17	21.4	54363-0789	54363-0781	70	○
15.5	16.9	14.5	18.9	54363-0689	54363-0681	60	○
13	14.4	12	16.4	54363-0589	54363-0581	50	○
10.5	11.9	9.5	13.9	54363-0489	54363-0481	40	○
8	9.4	7	11.4	54363-0389	54363-0381	30	○
5.5	6.9	4.5	8.9	54363-0289	54363-0281	20	○
D	C	B	A	エンボス梱包品 EMBOSSED TAPE PACKAGING	製品番号 MATERIAL NO.	極数 CIRCUITS	量産対応 AVAILABLE

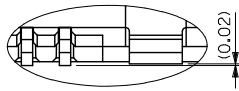
REVISED EC NO.: J2016-0601 DRAWN: FURUKAWA 2015/12/08 CHKD: TASHIKAWA 2015/12/08 APPR: MORIKAWA 2015/12/16	GENERAL TOLERANCES (UNLESS SPECIFIED)		DIMENSION STYLE		SCALE	DESIGN UNITS	THIRD ANGLE PROJECTION
	0.25 UNDER	UNDER	±0.03	MM ONLY	10:1	METRIC	◎ □
	0.25 OVER	0.5 UNDER	±0.05	DRAWN BY	DATE	TITLE	
	0.5 OVER	1.0 UNDER	±0.1	Y. AOYAGI	2006/11/08	0.5 MM PITCH B/B CONN. WITH FITTING NAIL -LEAD FREE-	
	1.0 OVER	10 UNDER	±0.2	CHECKED BY	DATE	molex DOCUMENT NO. SD-54363-050 SHEET NO. 1 OF 2	
10 OVER	30 UNDER	±0.25	K. TOYODA	2006/11/08			
30 OVER		±0.3	APPROVED BY	DATE			
	ANGULAR	±3 °	N. UKITA	2006/11/08			
	DRAFT WHERE APPLICABLE MUST REMAIN WITHIN DIMENSIONS		MATERIAL NO.				
			SEE CHART				
			SIZE A3				
			THIS DRAWING CONTAINS INFORMATION THAT IS PROPRIETARY TO MOLEX ELECTRONIC TECHNOLOGIES, LLC AND SHOULD NOT BE USED WITHOUT WRITTEN PERMISSION				

9 8 7 6 5 4 3 2 1

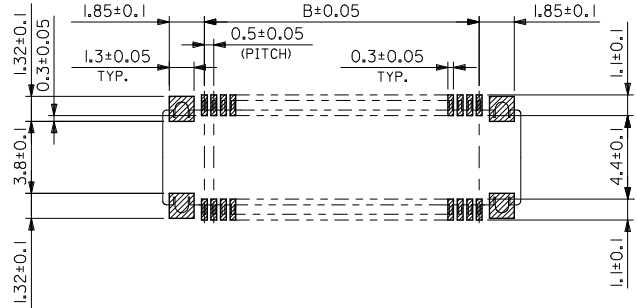
10 9 8 7 6 5 4 3 2 1



半田付け部陽詳細図
DETAIL FOR SOLDERING AREA



寸部陽詳細
DETAIL T



推奨基板寸法
RECOMMENDED PCB PATTERN LAYOUT
(SCALE 5:1)

REVISED EC NO: J2016-0601 DRWN: FURUKAWA 2015/12/08 CHKD: TASHIKAWA 2015/12/08 APPR: KAMORIKAWA 2015/12/16	GENERAL TOLERANCES (UNLESS SPECIFIED)			DIMENSION STYLE		SCALE	DESIGN UNITS	THIRD ANGLE PROJECTION
				MM ONLY		10:1	METRIC	
	0.25 UNDER	UNDER	±0.03	DRAWN BY	DATE	TITLE		
	0.25 OVER	0.5 UNDER	±0.05	Y. AOYAGI	2006/11/08	0.5 MM PITCH B/B CONN. WITH FITTING NAIL -LEAD FREE-		
	0.5 OVER	1.0 UNDER	±0.1	CHECKED BY	DATE			
	1.0 OVER	10 UNDER	±0.2	K. TOYODA	2006/11/08			
10 OVER	30 UNDER	±0.25	APPROVED BY	DATE	MATERIAL NO.	DOCUMENT NO.	SHEET NO.	
30 OVER		±0.3	N. UKITA	2006/11/08	SEE SHEET 1	SD-54363-050	2 OF 2	
ANGULAR	±3 °		DRAFT WHERE APPLICABLE MUST REMAIN WITHIN DIMENSIONS		THIS DRAWING CONTAINS INFORMATION THAT IS PROPRIETARY TO MOLEX ELECTRONIC TECHNOLOGIES, LLC AND SHOULD NOT BE USED WITHOUT WRITTEN PERMISSION			

9 8 7 6 5 4 3 2 1