

## Excellent Integrated System Limited

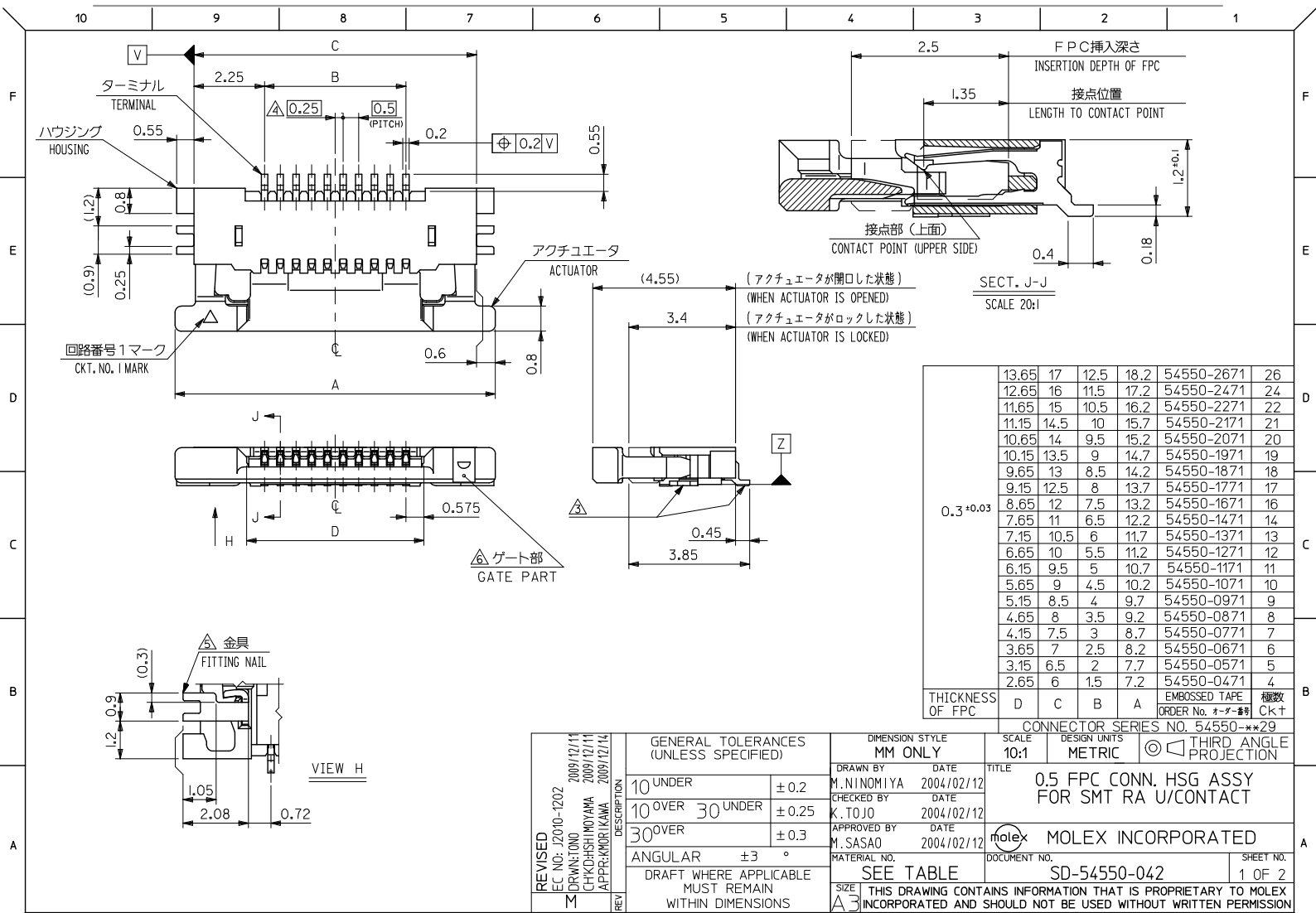
Stocking Distributor

Click to view price, real time Inventory, Delivery & Lifecycle Information:

[Molex Connector Corporation](#)  
[0545501071](#)

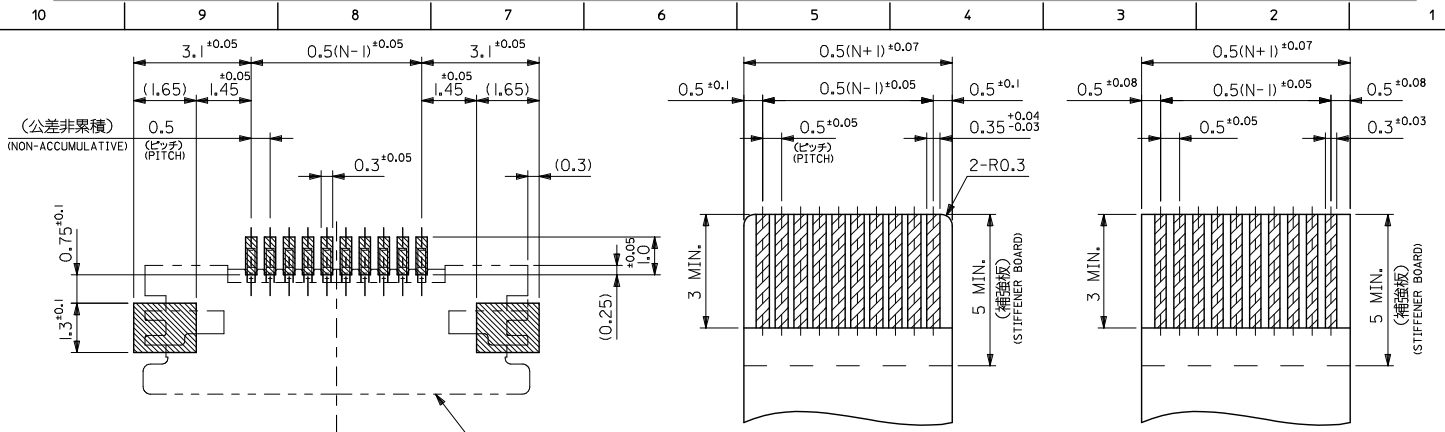
For any questions, you can email us directly:

[sales@integrated-circuit.com](mailto:sales@integrated-circuit.com)



THICKNESS OF FPC	D	C	B	A	EMBOSSED TAPE ORDER No. 形状・寸法	極数 Ck+
13.65	17	12.5	18.2	54550-2671	26	
12.65	16	11.5	17.2	54550-2471	24	
11.65	15	10.5	16.2	54550-2271	22	
11.15	14.5	10	15.7	54550-2171	21	
10.65	14	9.5	15.2	54550-2071	20	
10.15	13.5	9	14.7	54550-1971	19	
9.65	13	8.5	14.2	54550-1871	18	
9.15	12.5	8	13.7	54550-1771	17	
8.65	12	7.5	13.2	54550-1671	16	
7.65	11	6.5	12.2	54550-1471	14	
7.15	10.5	6	11.7	54550-1371	13	
6.65	10	5.5	11.2	54550-1271	12	
6.15	9.5	5	10.7	54550-1171	11	
5.65	9	4.5	10.2	54550-1071	10	
5.15	8.5	4	9.7	54550-0971	9	
4.65	8	3.5	9.2	54550-0871	8	
4.15	7.5	3	8.7	54550-0771	7	
3.65	7	2.5	8.2	54550-0671	6	
3.15	6.5	2	7.7	54550-0571	5	
2.65	6	1.5	7.2	54550-0471	4	

REVISED IEC NO. J2010-1202 DRAWN BY: TONO CHIKDOSHIMUYAMA APPR: MORIKAWA 2009/12/11 2009/12/11 2009/12/14	GENERAL TOLERANCES (UNLESS SPECIFIED)		DIMENSION STYLE		SCALE		DESIGN UNITS		CONNECTOR SERIES NO. 54550-***29	
			MM ONLY		10:1		METRIC		THIRD ANGLE PROJECTION	
	10 <sup>UNDER</sup>	±0.2	DRAWN BY	DATE	TITLE					
	10 <sup>OVER</sup> 30 <sup>UNDER</sup>	±0.25	M. NINOMIYA	2004/02/12	0.5 FPC CONN. HSG ASSY FOR SMT RA U/CONTACT					
30 <sup>OVER</sup>	±0.3	CHECKED BY	DATE							
ANGULAR ±3°		APPROVED BY	DATE	MOLEX INCORPORATED						
DRAFT WHERE APPLICABLE MUST REMAIN WITHIN DIMENSIONS		MATERIAL NO.	DOCUMENT NO.	SD-54550-042				SHEET NO. 1 OF 2		
		SIZE	THIS DRAWING CONTAINS INFORMATION THAT IS PROPRIETARY TO MOLEX INCORPORATED AND SHOULD NOT BE USED WITHOUT WRITTEN PERMISSION							



**注記 NOTES**

- 1. 使用材料 MATERIAL**  
 ハウジング HOUSING : LCP, UL94V-0  
 アクチュエータ ACTUATOR : PPS, UL94V-0  
 ターミナル TERMINAL : リン青銅 PHOSPHOR BRONZE  
 メッキ PLATING : 接点部:金メッキ CONTACT PORTION : GOLD PLATING  
 : 半田付部:錫メッキ SOLDERING PORTION : TIN PLATING  
 : 下地:ニッケルメッキ UNDER PLATING : NICKEL PLATING  
**金具 FITTING NAIL** : リン青銅、ニッケル下地 錫メッキ PHOSPHOR BRONZE, TIN OVER NICKEL PLATING  
**2. エンボスター付梱包時は、アクチュエータがロックした状態とする。**  
 IN THE PACKAGE/ACTUATOR OF PART NO.54550-\*\*-29 SHOULD BE LOCKED.  
**△ソルダーテール半田付け面のスレ量、及び金具半田付け面のスレ量は、基準面 Z**  
 に対し上方向 0MAX.、下方向 0.15MAX.とし  
 相互のバラツキ量は0.1MAX.とする。  
 MISALIGNMENT OF SOLDER TAILS AND FITTING NAILS FROM Z  
 UPPER DIRECTION:0 MAX.; LOWER DIRECTION:0.15 MAX.  
 OFFSET BETWEEN UPPER AND LOWER 0.1 MAX.  
**△偶数極に適用。**  
 APPLY FOR EVEN CIRCUIT.  
**△パターンはくり止め用金具**  
 FITTING NAIL FOR PREVENTION OF PEELING  
 OF P.C.B. PATTERN.  
**△ゲート部は、左右どちらか一方にあるものとする。**  
 A GATE PART -- RIGHT AND LEFT -- IT SHALL BE IN EITHER.  
**7. 本製品は 54550-\*\*-27 の鉛フリー品である。**  
 THIS PRODUCT IS LEAD FREE OF 54550-\*\*-27.  
**8. N: 羅数 N: CIRCUIT.**  
**9. ELV 及び RoHS 適合品 / ELV AND RoHS COMPLIANT.**

**適用FPC推奨寸法**  
 APPLICABLE FPC  
 RECOMMENDED DIMENSION  
 (仕上がり厚さ:表参照)  
 (THICKNESS:SEE CHART)

**適用FFC推奨寸法**  
 APPLICABLE FFC  
 RECOMMENDED DIMENSION  
 (仕上がり厚さ:表参照)  
 (THICKNESS:SEE CHART)

**FPC/FFC について:**

打ち抜き方向は導体側から補強板側を推奨します。  
 導体部については軟銅箔35μmまたは50μmを推奨します。

**ABOUT FPC/FFC**  
 RECOMMENDED PUNCHER DIRECTION : FROM CONDUCTOR SIDE TO STIFFENER FILM SIDE.  
 RECOMMENDED CONDUCTOR SPEC :  
 THICKNESS OF SOFT COPPER FOIL : 35 MICROMETER OR 50 MICROMETER.

**FPC について:**

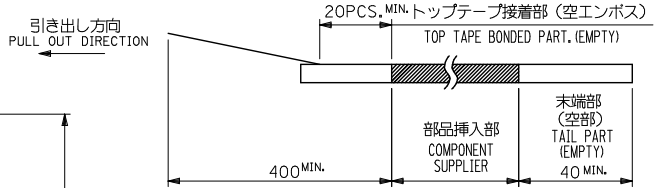
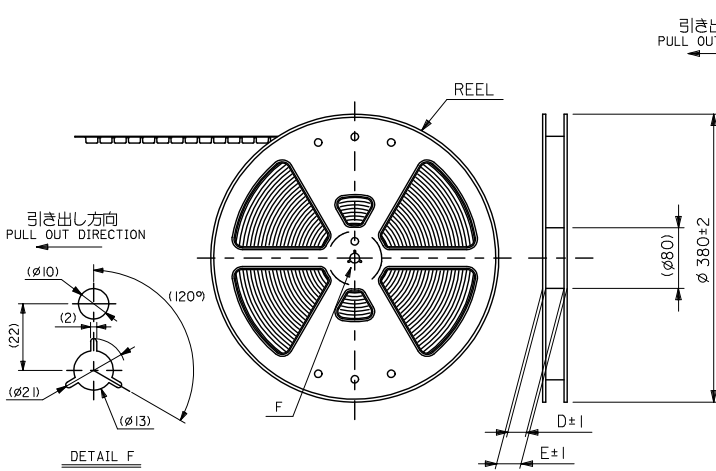
補強フィルム材質はポリイミドを推奨します。ベースフィルムは25μmを推奨します。  
 接着剤は熱硬化接着剤を推奨します。  
 尚、接着剤の接点部への付着は導通不良の原因になりますので、染み出しが無い様、お願い致します。

**ABOUT FPC**  
 RECOMMENDED MATERIAL/THICKNESS.  
 STIFFENER FILM : POLYIMIDE  
 BASE FILM THICKNESS : 25μm  
 BONDING AGENT : THERMOSETTING BONDING AGENT  
 PLEASE PUT APPROPRIATE AMOUNT OF ADHESIVE ON THE CONTACT  
 AREA BECAUSE THE EXTRA ADHESIVE MAY CAUSE THE DEFECT IN  
 ELECTRICAL CONTINUITY.

REVISED EC NO. J2010-1202 DRAWN: TONO 2009/12/11 CHKD: SHIMOMURA 2009/12/11 APPR: MORIKAWA 2009/12/14 REV	GENERAL TOLERANCES (UNLESS SPECIFIED)		DIMENSION STYLE MM ONLY		SCALE ---	DESIGN UNITS METRIC	THIRD ANGLE PROJECTION
	10 UNDER	±0.2	DRAWN BY M. NINOMIYA	DATE 2004/02/12	TITLE 0.5 FPC CONN. HSG ASSY FOR SMT RA U/CONTACT		
	10 OVER 30 UNDER	±0.25	CHECKED BY K. TOJO	DATE 2004/02/12	MOLEX INCORPORATED		
	30 OVER	±0.3	APPROVED BY M. SASAO	DATE 2004/02/12	DOCUMENT NO. SD-54550-042	SHEET NO. 2 OF 2	
ANGULAR ±3°		DRAFT WHERE APPLICABLE WITHIN DIMENSIONS		THIS DRAWING CONTAINS INFORMATION THAT IS PROPRIETARY TO MOLEX INCORPORATED AND SHOULD NOT BE USED WITHOUT WRITTEN PERMISSION			

**NOTES**

- 製品詳細寸法については図面 SD-54550-042 を参照下さい。  
RE DETAILED DIMENSION, SEE SD-54550-042.
- 極包数量: 3000個/リール  
NUMBER OF CONNECTORS : 3000PCS/REEL
- リードテープ長さ LEAD TAPE LENGTH

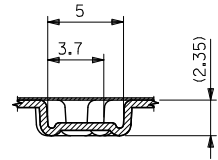
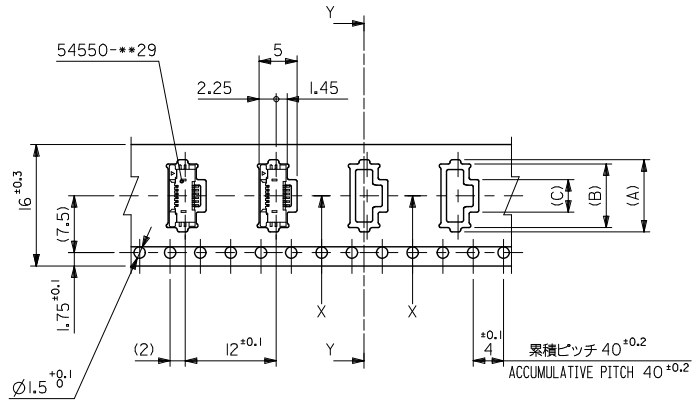
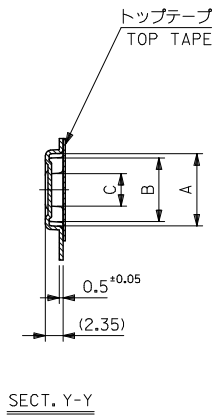


- 材料 (MATERIAL)  
キャリアテープ (CARRIER TAPE): ポリプロピレン (POLYPROPYLENE)  
トップテープ (TOPTAPE): PET, PE, PEF  
リール (REEL): ポリスチレン (PS) <リサイクル材を含む>  
POLYSTYRENE (PS) <RECYCLE MATERIAL CONTAINED>
- 本製品は 54550-\*\*\*91 の鉛フリー品である。  
THIS PRODUCT IS LEAD FREE OF 54550-\*\*\*91.
- ELV 及び RoHS 適合品 / ELV AND RoHS COMPLIANT.

REVISED EC NO. J2010-1202 DRAWN: TONO 2009/12/11 CHKD: HSHIMYAMA 2009/12/11 APPR: K MORIKAWA 2009/12/14	GENERAL TOLERANCES (UNLESS SPECIFIED)		DIMENSION STYLE MM ONLY		SCALE ---	DESIGN UNITS METRIC	THIRD ANGLE PROJECTION
	10 UNDER	± 0.2	DRAWN BY M. NINOMIYA	DATE 2004/02/12	TITLE EMBSTP PKG FOR 0.5 FPC CONN ZIF UPR CONT		
	10 OVER 30 UNDER	± 0.25	CHECKED BY K. TOJO	DATE 2004/02/12	MOLEX INCORPORATED		
	30 OVER	± 0.3	APPROVED BY M. SASAO	DATE 2004/02/12	DOCUMENT NO. SD-54550-043		
	ANGULAR ±3 °	MATERIAL NO.		SHEET NO.			
	DRAFT WHERE APPLICABLE MUST REMAIN WITHIN DIMENSIONS	SEE SHEET 1 OR 2		1 OF 3			
		SIZE A3		THIS DRAWING CONTAINS INFORMATION THAT IS PROPRIETARY TO MOLEX INCORPORATED AND SHOULD NOT BE USED WITHOUT WRITTEN PERMISSION			

10 9 8 7 6 5 4 3 2 1

引き出し方向  
PULL OUT DIRECTION

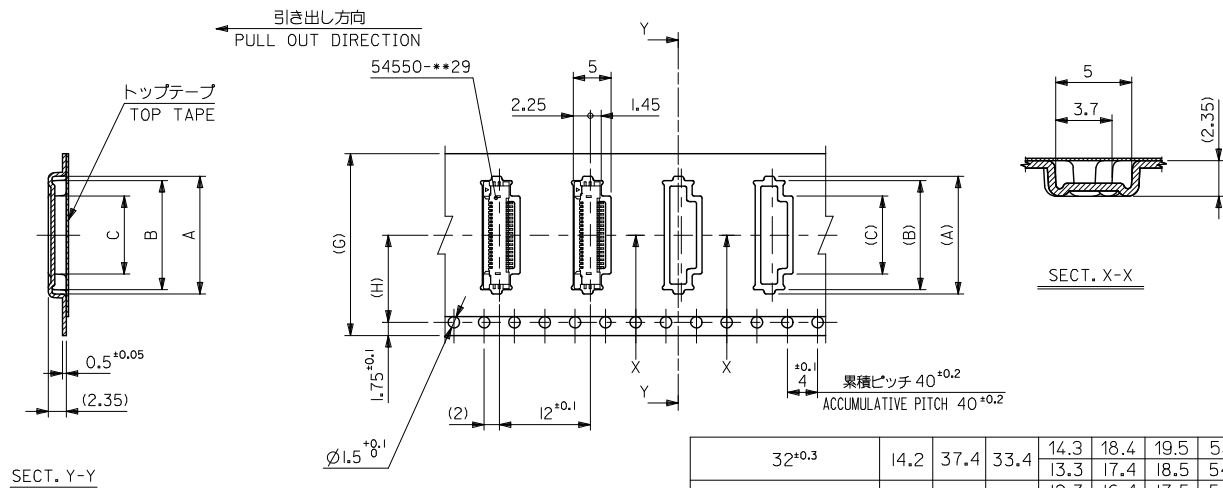


16mm幅キャリアテープ  
16mm WIDTH CARRIER TAPE

16	21.4	17.4	4.3	8.4	9.5	54550-0671	6		
			3.8	7.9	9	54550-0571	5		
			3.3	7.4	8.5	54550-0471	4		
キャリアテープ幅 CARRIER TAPE WIDTH			E	D	(C)	(B)	(A)	製品番号 MATERIAL No.	極数 CK+

REVISED EC NO. J2010-1202 DRAWN: TONO 2009/12/11 CHKD: HSHIMUYAMA 2009/12/11 APPR: K MORIKAWA 2009/12/14	GENERAL TOLERANCES (UNLESS SPECIFIED)		DIMENSION STYLE MM ONLY		SCALE ---	DESIGN UNITS METRIC	THIRD ANGLE PROJECTION	
	10 UNDER	± 0.2	DRAWN BY M. NINOMIYA	DATE 2004/02/12	TITLE EMBSTP PKG FOR 0.5 FPC CONN ZIF UPR CONT			
	10 OVER 30 UNDER	± 0.25	CHECKED BY K. TOJO	DATE 2004/02/12	MOLEX INCORPORATED			
	30 OVER	± 0.3	APPROVED BY M. SASAO	DATE 2004/02/12	DOCUMENT NO. SD-54550-043			
ANGULAR ± 3 °		DRAFT WHERE APPLICABLE MUST REMAIN WITHIN DIMENSIONS		SEE TABLE		SHEET NO. 2 OF 3		
SIZE A3 THIS DRAWING CONTAINS INFORMATION THAT IS PROPRIETARY TO MOLEX INCORPORATED AND SHOULD NOT BE USED WITHOUT WRITTEN PERMISSION								

10 9 8 7 6 5 4 3 2 1



24, 32mm幅キャリアテープ  
24mm, 32mm WIDTH CARRIER TAPE

32 <sup>+0.3</sup>	14.2	37.4	33.4	14.3	18.4	19.5	54550-2671	26	
24 <sup>+0.3</sup>	11.5	29.4	25.4	13.3	17.4	18.5	54550-2471	24	
				12.3	16.4	17.5	54550-2271	22	
				11.8	15.9	17	54550-2171	21	
				11.3	15.4	16.5	54550-2071	20	
				10.8	14.9	16	54550-1971	19	
				10.3	14.4	15.5	54550-1871	18	
				9.8	13.9	15	54550-1771	17	
				9.3	13.4	14.5	54550-1671	16	
				8.3	12.4	13.5	54550-1471	14	
				7.8	11.9	13	54550-1371	13	
				7.3	11.4	12.5	54550-1271	12	
				6.8	10.9	12	54550-1171	11	
				6.3	10.4	11.5	54550-1071	10	
				5.8	9.9	11	54550-0971	9	
5.3	9.4	10.5	54550-0871	8					
4.8	8.9	10	54550-0771	7					
G	キャリアテープ幅 CARRIER TAPE WIDTH	H	E	D	(C)	(B)	(A)	製品番号 MATERIAL No.	極数 Ck+

REVISED	EC NO. J2010-1202	2009/12/11	GENERAL TOLERANCES (UNLESS SPECIFIED)	DIMENSION STYLE	SCALE	DESIGN UNITS	THIRD ANGLE PROJECTION
	DRWN: TONO	2009/12/11	10 UNDER ±0.2	MM ONLY	---	METRIC	◎ □
	CHKD: SHIMOMIYAMA	2009/12/11	10 OVER 30 UNDER ±0.25	DRAWN BY DATE	TITLE		
	APPR: MORIKAWA	2009/12/14	30 OVER ±0.3	M. NINOMIYA 2004/02/12	EMBSTP PKG FOR 0.5 FPC CONN ZIF UPR CONT		
REV	DESCRIPTION		ANGULAR ±3 °	CHECKED BY DATE	MOLEX INCORPORATED		
			DRAFT WHERE APPLICABLE MUST REMAIN WITHIN DIMENSIONS	APPROVED BY DATE	SD-54550-043		
				M. SASAO 2004/02/12	SHEET NO. 3 OF 3		
				MATERIAL NO.	THIS DRAWING CONTAINS INFORMATION THAT IS PROPRIETARY TO MOLEX INCORPORATED AND SHOULD NOT BE USED WITHOUT WRITTEN PERMISSION		
				SIZE A3			