

Excellent Integrated System Limited

Stocking Distributor

Click to view price, real time Inventory, Delivery & Lifecycle Information:

[Mueller Electric Co.](#)
[110002](#)

For any questions, you can email us directly:

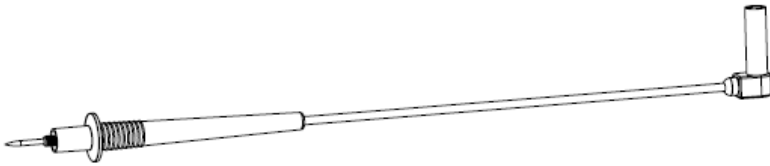
sales@integrated-circuit.com



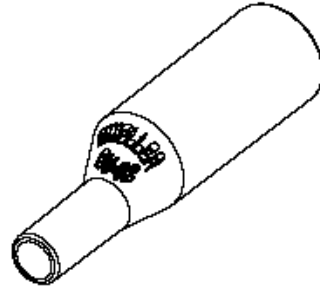
Part Number: 110002
Description: Packaged part #
Bulk part #

5107

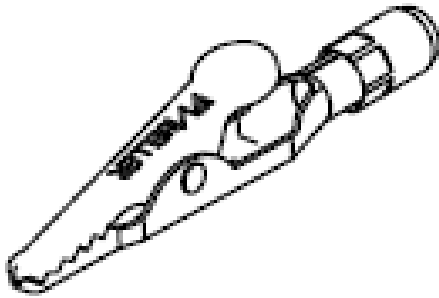
(1) BU-6441-D-48-X



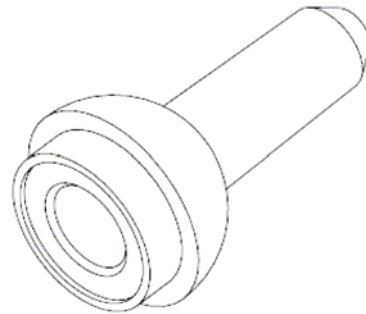
(4) BU-62-X



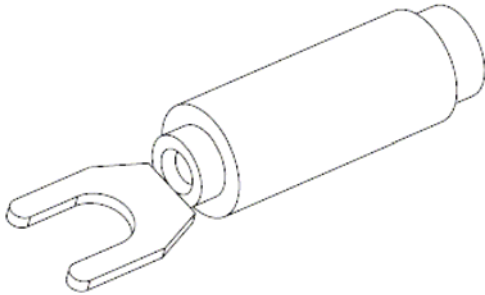
(2) BU-60TBO



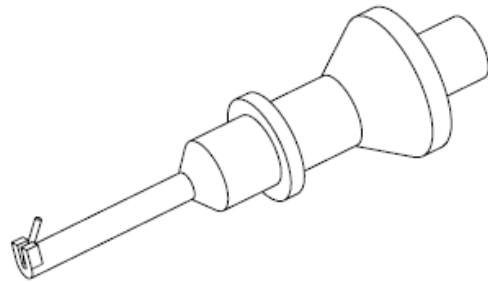
(5) BU-00230-X



(3) BU-00225-X



(6) BU-00207-X



- #110002 Packaged parts
- Includes: BU-6441-D-48-X (2) BU-62-X (2)
 BU-60TBO (2) BU-00230-X (2)
 BU-00225-X (2) BU-00207-X (2)
- More details about bulk parts number refer to relative datasheets