

Excellent Integrated System Limited

Stocking Distributor

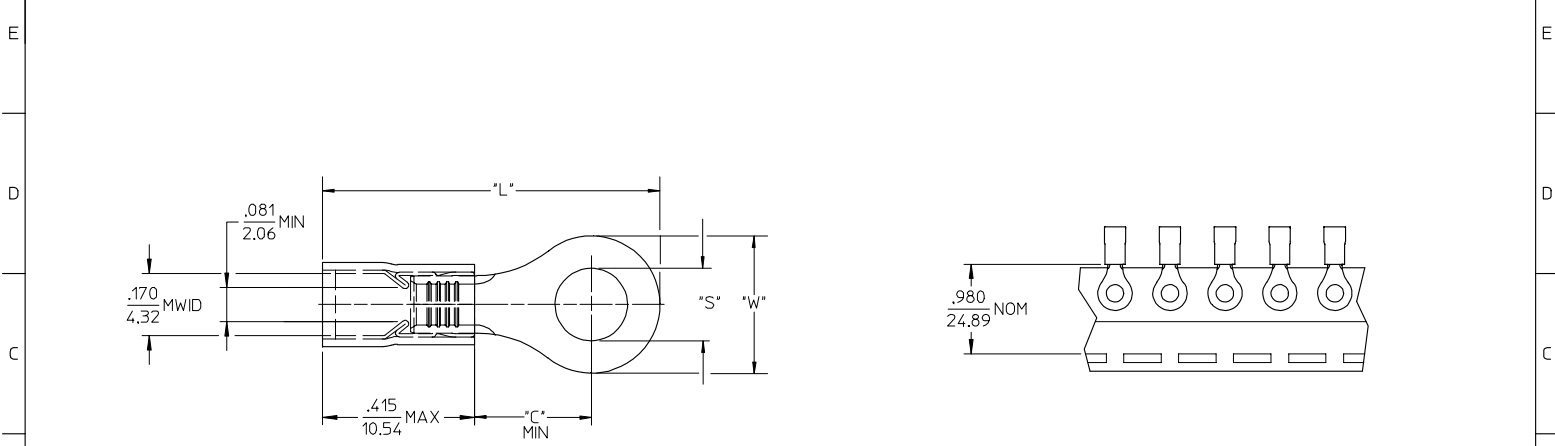
Click to view price, real time Inventory, Delivery & Lifecycle Information:

[Molex Connector Corporation](#)
[0190730084](#)

For any questions, you can email us directly:

sales@integrated-circuit.com

10	9	8	7	6	5	4	3	2	19073
MATERIAL NUMBER	ENG. NO.	MATERIAL NUMBER TAPE MOUNTED	ENG. NO.	STUD SIZE	"S" ±.005	"W" MAX	"C" MIN	"L" MAX	
190730081	BB-837-04	-----	-----	04	.119 (3.02)	.322 (8.18)	.285 (7.24)	.885 (22.48)	
190730083	BB-837-06	190730084	BB-837-06T	06	.146 (3.71)				
190730085	BB-837-08	190730086	BB-837-08T	08	.173 (4.39)				
190730087	BB-837-10	190730088	BB-823-10T	10	.198 (5.03)				
190730302	BB-839-06	190730093	BB-839-06T	06	.146 (3.71)	.352 (8.94)	.310 (7.87)	.936 (23.77)	
190730094	BB-839-08	190730096	BB-839-08T	08	.173 (4.39)				
190730097	BB-839-10	190730099	BB-839-10T	10	.198 (5.03)				



SALES DRAWING

NOTES:

1. MATERIAL: COPPER (.031/0.79) THICK PLATING: ELECTROPLATE TIN
2. FERRULE: TIN-PLATED BRASS
3. INSULATION: BLUE NYLON
4. MWID=MAXIMUM WIRE INSULATION DIA.
5. ALL DIMENSIONS IN INCHES (MM).
6. WIRE SIZE: 16-14 AWG 1.0-2.5 MM

EC NO: ETC2004-0123 DRAWN: DMYRICK 2004/01/05 CHKD: SBEITZEL 2004/01/05 APPR: RDEROSS 2004/07/06	QUALITY SYMBOLS ▽-0 ▽-0	GENERAL TOLERANCES (UNLESS SPECIFIED)		SCALE 4:1	DESIGN UNITS INCH	THIRD ANGLE PROJECTION	REVISE ON CAD ONLY	
				DIMENSION STYLE IN/MM		TITLE RING TONGUE TERMINAL AVIKRIMP, 800-SERIES 16-14 AWG		
		4 PLACES ± --- ± ---		DRAWN BY DMYRICK DATE 03/12/15		MATERIAL NO. SEE CHART		
		3 PLACES ± --- ± .005		CHECKED BY SBEITZEL DATE 03/12/15		DOCUMENT NO. SD-19073-006		SHEET NO. 1 OF 1
2 PLACES ± 0.13 ± .01		DRAFT WHERE APPLICABLE MUST REMAIN WITHIN DIMENSIONS		THIS DRAWING CONTAINS INFORMATION THAT IS PROPRIETARY TO MOLEX INCORPORATED AND SHOULD NOT BE USED WITHOUT WRITTEN PERMISSION				
1 PLACE ± 0.25 ± ---		ANGULAR ± 1 °						