

## Excellent Integrated System Limited

Stocking Distributor

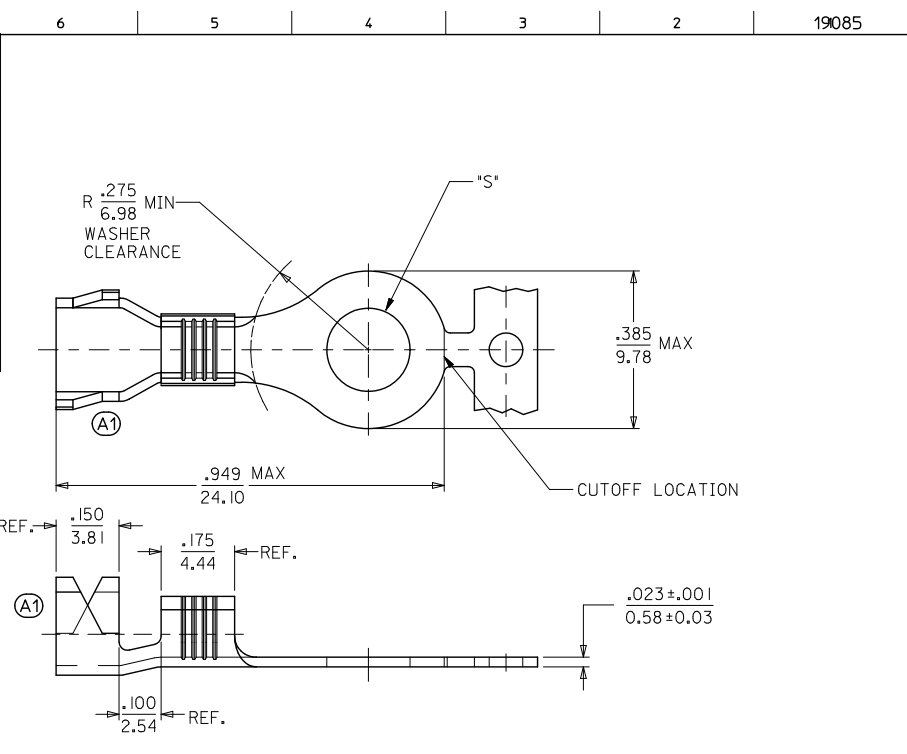
Click to view price, real time Inventory, Delivery & Lifecycle Information:

[Molex Connector Corporation](#)  
[0190850005](#)

For any questions, you can email us directly:

[sales@integrated-circuit.com](mailto:sales@integrated-circuit.com)

MATERIAL NUMBER	ENGINEERING NUMBER	STUD SIZE "S" ±.010/-.0125)	MATERIAL	PLATING
I90850001	I9085-0001	#6 = .146/(3.71)	BRASS	NONE
I90850002	I9085-0002	#8 = .173/(4.39)	BRASS	NONE
I90850003	I9085-0003	#10 = .198/(5.03)	BRASS	NONE
I90850004	RZ-4129-06	#6 = .146/(3.71)	BRASS	TIN
I90850005	RZ-4129-08	#8 = .173/(4.39)	BRASS	TIN
I90850006	RZ-4129-10	#10 = .198/(5.03)	BRASS	TIN
I90850007	RZ-S-4129-06	#6 = .146/(3.71)	STEEL	TIN
I90850008	RZ-S-4129-08	#8 = .173/(4.39)	STEEL	TIN
I90850009	RZ-S-4129-10	#10 = .198/(5.03)	STEEL	TIN



- NOTES:
- MATERIAL: SEE CHART.
  - PLATING: SEE CHART.
  - WIRE RANGE: 18-14 AWG/1.3-2.6 MM<sup>2</sup>
  - PARTS ARE ROHS COMPLIANT.

SALES DRAWING

CORRECT INSUL GRIP EC NO: WNA2012-0119 DRAWN: THRODAHL 2011/08/02 CHKD: MACNEIL 2011/08/02 APPR: MACNEIL 2011/09/12	QUALITY SYMBOLS	GENERAL TOLERANCES (UNLESS SPECIFIED)	DIMENSION STYLE	SCALE	DESIGN UNITS	THIRD ANGLE PROJECTION
	▽=0 ▽=0	mm INCH 4 PLACES ± --- ± --- 3 PLACES ± --- ± --- 2 PLACES ± --- ± --- 1 PLACE ± --- ± --- ANGULAR ± ---°	IN/MM	---	INCH	DRAWN BY DATE BRE 2002/02/04 CHECKED BY DATE HEB 2002/02/04 APPROVED BY DATE
		DRAFT WHERE APPLICABLE MUST REMAIN WITHIN DIMENSIONS	SEE CHART	TITLE VIBRAKRIMP STRIP RING TONGUE TERMINAL 18-14 AWG MOLEX INCORPORATED MATERIAL NO. SD-19085-002 DOCUMENT NO. 1 OF 1		
				THIS DRAWING CONTAINS INFORMATION THAT IS PROPRIETARY TO MOLEX INCORPORATED AND SHOULD NOT BE USED WITHOUT WRITTEN PERMISSION		