

Excellent Integrated System Limited

Stocking Distributor

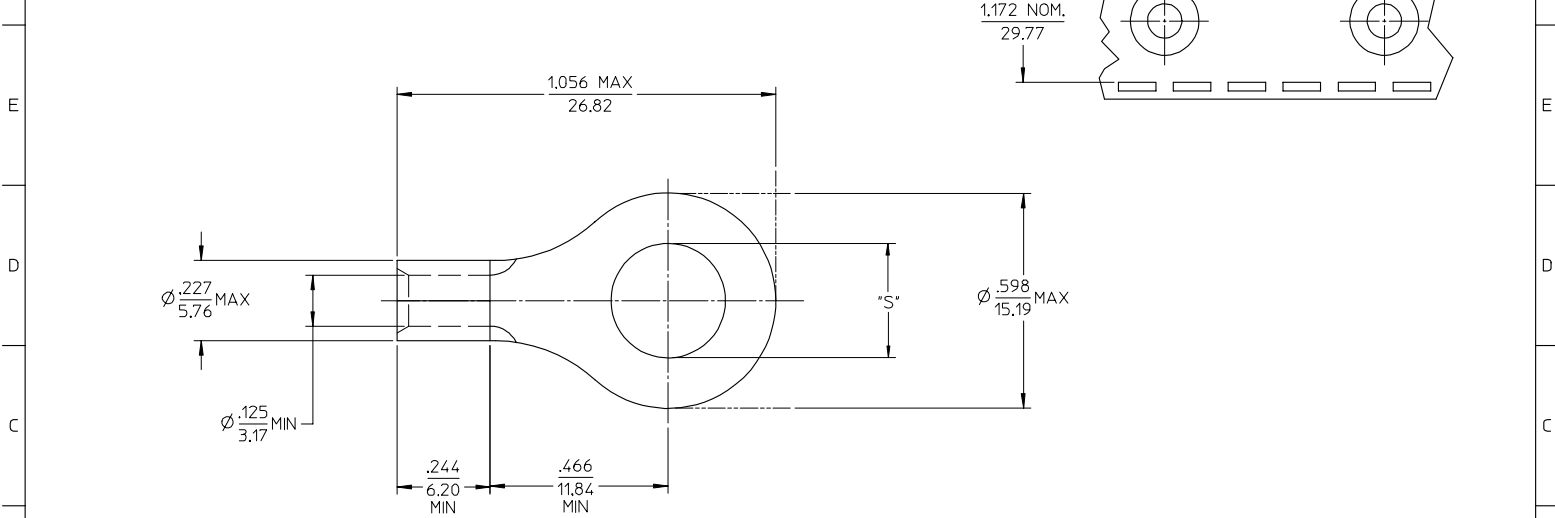
Click to view price, real time Inventory, Delivery & Lifecycle Information:

[Molex Connector Corporation](#)
[0191930139](#)

For any questions, you can email us directly:

sales@integrated-circuit.com

10	9	8	7	6	5	4	3	2	19193
MATERIAL NO. LOOSE PIECE	ENG. NO.	MATERIAL NO. TAPE MOUNTED	ENG. NO.	STUD SIZE	±.003 "S"	STOCK THICKNESS			
191930132	C-340-10	191930133	C-340-10T	10	.198	.040 (1.02)			
191930134	C-340-14	191930135	C-340-14T	1/4	.265				
191930141	C-340-56	191930142	C-340-56T	5/16	.328				
191930137	C-340-38	191930139	C-340-38T	3/8	.390				



SALES DRAWING

- NOTE(S):
 1. MATERIAL: COPPER
 2. PLATING: ELECTROPLATE TIN
 3. ALL DIMENSIONS IN INCHES/(MM).
 4. WIRE SIZE: 12-10 AWG
 4.0-6.0 MM²

REVISED/UPDATE TO MK STDS EC NO. ETC2003-0315 DRAWN: DMYRIEK 2003/08/20 CHKD: HEB 2003/08/21 APPR: ADBROSS 2003/08/21	QUALITY SYMBOLS ▽-0 ▽.0	GENERAL TOLERANCES (UNLESS SPECIFIED)		SCALE 4:1	DESIGN UNITS INCH	THIRD ANGLE PROJECTION	REVISE ON CAD ONLY	
				DIMENSION STYLE IN/MM		TITLE RING TONGUE TERMINAL VERSAKRIMP 12-10 AWG		
		4 PLACES ±---	±---	DRAWN BY DLM	DATE 03/06/13	MOLEX INCORPORATED (SEE CHART) SD-19193-026		
		3 PLACES ±---	±.005	CHECKED BY HEB	DATE 03/06/13			
2 PLACES ±0.13	±.01	DRAFT WHERE APPLICABLE MUST REMAIN WITHIN DIMENSIONS		APPROVED BY RWD	DATE 03/06/13	MATERIAL NO. (SEE CHART)	DOCUMENT NO. SD-19193-026	SHEET NO. 1 OF 1
1 PLACE ±0.25	±---			THIS DRAWING CONTAINS INFORMATION THAT IS PROPRIETARY TO MOLEX INCORPORATED AND SHOULD NOT BE USED WITHOUT WRITTEN PERMISSION				