



**Distributor of Molex Connector Corporation: Excellent Integrated System Limited**  
Datasheet of 0471511071 - Connector Receptacle HDMI 19 Position Surface Mount, Right  
Angle, Horizontal

Contact us: [sales@integrated-circuit.com](mailto:sales@integrated-circuit.com) Website: [www.integrated-circuit.com](http://www.integrated-circuit.com)

---

## **Excellent Integrated System Limited**

Stocking Distributor

Click to view price, real time Inventory, Delivery & Lifecycle Information:

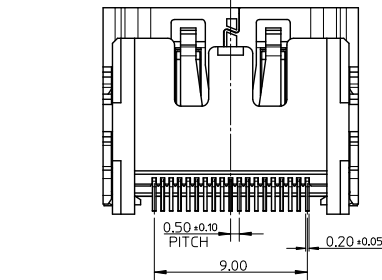
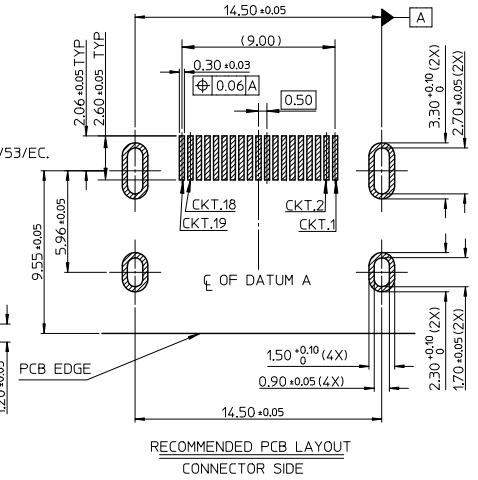
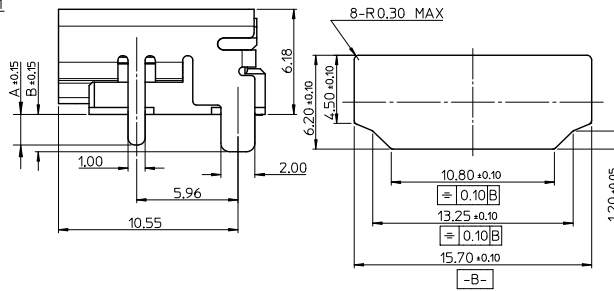
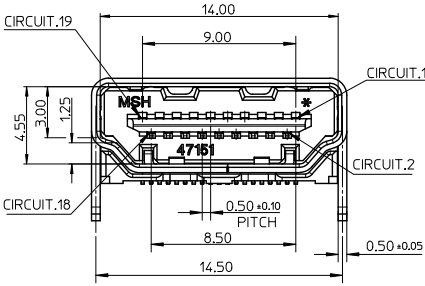
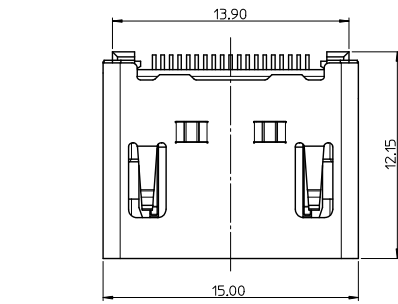
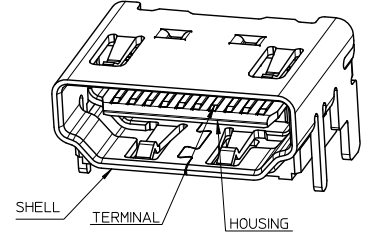
[Molex Connector Corporation](#)  
[0471511071](#)

For any questions, you can email us directly:  
[sales@integrated-circuit.com](mailto:sales@integrated-circuit.com)

Contact us: [sales@integrated-circuit.com](mailto:sales@integrated-circuit.com) Website: [www.integrated-circuit.com](http://www.integrated-circuit.com)

NOTES:

- MATERIAL:  
HOUSING: THERMOPLASTIC, GLASS-FILLED, UL 94V-0, COLOR: SEE TABLE.  
SHELL: COPPER ALLOY.  
TERMINAL: COPPER ALLOY.
- PLATING:  
TERMINAL:  
CONTACT AREA: (1) 0.76 MICROMETER MIN. GOLD PLATING.  
(2) 0.25 MICROMETER MIN. GOLD PLATING.  
(3) GOLD FLASH.  
(4) 0.375 MICROMETER MIN. GOLD PLATING.  
SOLDER AREA: 1 MICROMETER MIN. TIN-BISMUTH ALLOY PLATED.  
UNDER PLATE: 1.27 MICROMETER MIN. NICKEL.  
SHELL: (a) 1.27 MICROMETER MIN. SOLDERABLE NICKEL PLATE OVERALL.  
(b) GOLD FLASH PLATING OVER 1.27 MICROMETER MIN. NICKEL PLATING OVERALL.
- COPLANARITY IS 0.1MM MAX.
- PRODUCT SPECIFICATION REFER TO PS-47152-001.
- PACKAGE SPECIFICATION FOR WITHOUT FLANGE REFER TO PK-47151-001.
- PRODUCT COMPLIANT TO RoHS DIRECTIVE 2011/65/EU AND ELV DIRECTIVE 2000/53/EC.

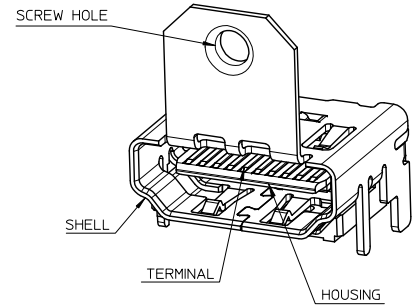
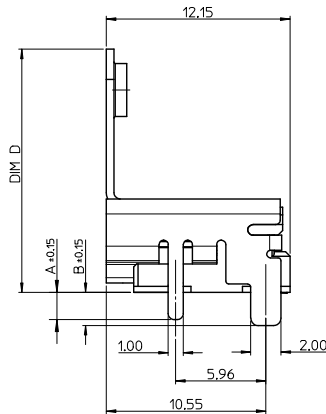
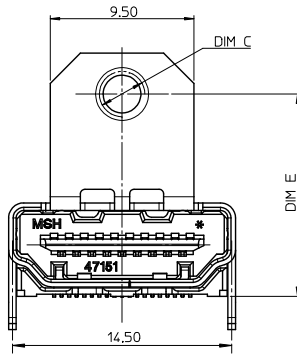
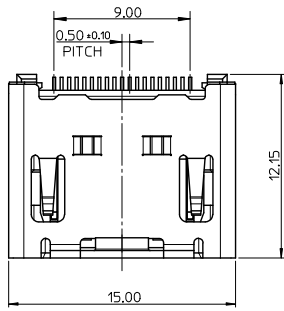


RECOMMENDED PANEL CUT OUT DIMENSION

RECOMMENDED PCB LAYOUT  
CONNECTOR SIDE

REVISE NOTE EC NO: S2014-0536 L1 DRW: FCS00 CHKD: JTANZ APPR: XHLIM	DESCRIPTION 2013/12/05 2013/12/17 2013/12/20	QUALITY SYMBOLS	GENERAL TOLERANCES (UNLESS SPECIFIED)		DIMENSION STYLE		SCALE	DESIGN UNITS	THIRD ANGLE PROJECTION		
		$\nabla=0$ $\nabla=0$ $\nabla=0$	mm	INCH	DRAWN BY	DATE	TITLE	NTS	METRIC	1.0 HDMI RIGHT ANGLE HEADER ASSEMBLY(19 PIN) LEAD FREE	
		4 PLACES ± --- ± --- 3 PLACES ± --- ± --- 2 PLACES ± 0.25 ± --- 1 PLACE ± 0.25 ± --- 0 PLACE ± ±			RZHANG	2004/07/20					
		DRAFT WHERE APPLICABLE MUST REMAIN WITHIN DIMENSIONS	ANGULAR ± 3 °		CHECKED BY	DATE				molex SD-47151-001	
	SEE SHEET 6		APPROVED BY	DATE	MATERIAL NO.	DOCUMENT NO.	SHEET NO.				
			THIS DRAWING CONTAINS INFORMATION THAT IS PROPRIETARY TO MOLEX INCORPORATED AND SHOULD NOT BE USED WITHOUT WRITTEN PERMISSION		SIZE	A3		1 OF 8			

Contact us: [sales@integrated-circuit.com](mailto:sales@integrated-circuit.com) Website: [www.integrated-circuit.com](http://www.integrated-circuit.com)



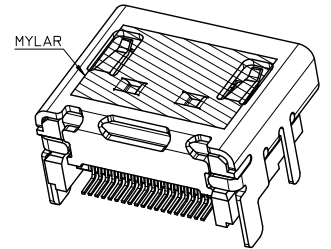
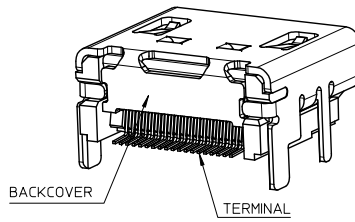
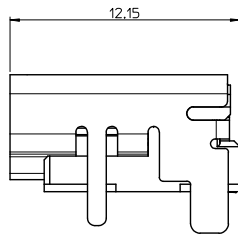
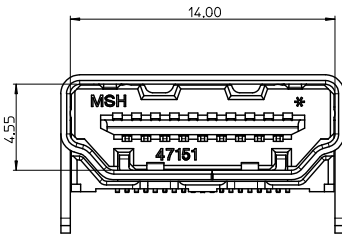
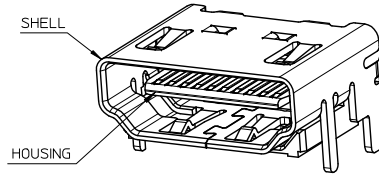
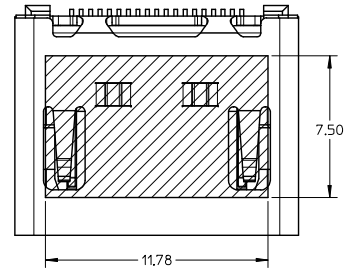
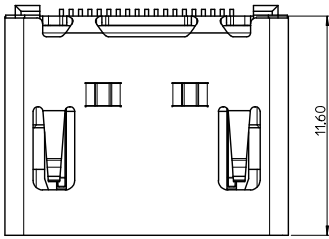
NOTES:

1. THE UNSPECIFIED DIMENSIONS REFER TO SHEET 1.
2. PACKAGE SPECIFICATION FOR WITH FLANGE REFER TO PK-47151-002.

<b>REVISE NOTE</b> EC NO. S2014-0536 DRW: FCS00 CHKD: JIAN2 APPR: KLLIM 2013/12/05 2013/12/17 2013/12/20	<b>QUALITY SYMBOLS</b> = 0 = 0 = 0	<b>GENERAL TOLERANCES (UNLESS SPECIFIED)</b>		<b>DIMENSION STYLE</b> MM ONLY		<b>SCALE</b> NTS	<b>DESIGN UNITS</b> METRIC	<b>THIRD ANGLE PROJECTION</b>	
		4 PLACES ± --- ± ---	mm	INCH	DRAWN BY RZHANG	DATE 2004/07/20	<b>TITLE</b> 1.0 HDMI RIGHT ANGLE HEADER ASSEMBLY(19 PIN) LEAD FREE		
		3 PLACES ± --- ± ---			CHECKED BY GRMA	DATE 2004/07/20			
		2 PLACES ± 0.25 ± ---			APPROVED BY YTYAP	DATE 2004/07/20	DOCUMENT NO. SD-47151-001		SHEET NO. 2 OF 8
1 PLACE ± 0.25 ± ---			ANGULAR ± 3 °		MATERIAL NO. SEE SHEET 6		THIS DRAWING CONTAINS INFORMATION THAT IS PROPRIETARY TO MOLEX INCORPORATED AND SHOULD NOT BE USED WITHOUT WRITTEN PERMISSION		
0 PLACE ± ±			DRAFT WHERE APPLICABLE MUST REMAIN WITHIN DIMENSIONS		SIZE A3				

Contact us: [sales@integrated-circuit.com](mailto:sales@integrated-circuit.com) Website: [www.integrated-circuit.com](http://www.integrated-circuit.com)

WITH BACK COVER

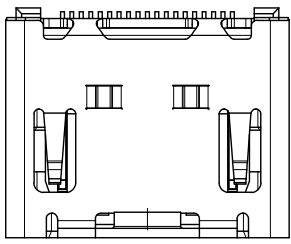


NOTES:

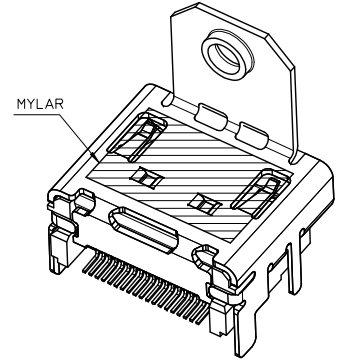
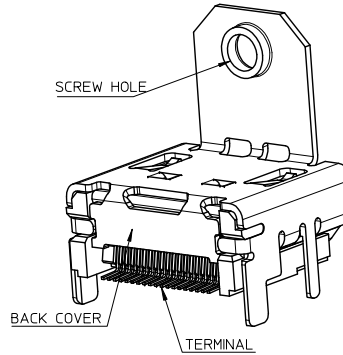
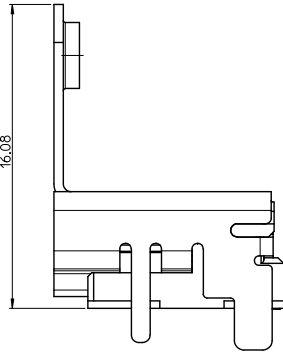
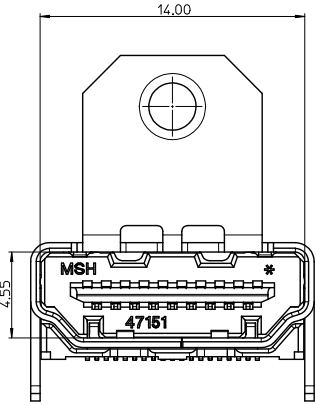
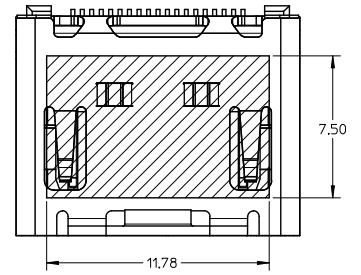
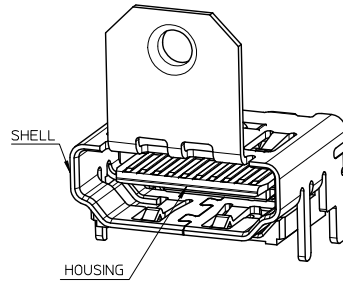
1. THE UNSPECIFIED DIMENSIONS REFER TO 47151-0001.
2. PACKAGE SPECIFICATION FOR WITHOUT FLANGE REFER TO PK-47151-001.

<b>REVISE NOTE</b> EC NO: S2014-0536 DRAWN: FCS00 CHKD: JIANQZ APPR: KELIM	2013/12/05 2013/12/17 2013/12/20	<b>QUALITY SYMBOLS</b> = 0 = 0 = 0	<b>GENERAL TOLERANCES (UNLESS SPECIFIED)</b>		<b>DIMENSION STYLE</b> MM ONLY		SCALE NTS	DESIGN UNITS METRIC	THIRD ANGLE PROJECTION		
			4 PLACES ± --- ± ---	3 PLACES ± --- ± ---	DRAWN BY RZHANG	DATE THIS SHEET ONLY FOR 47151-1061/1071/1081 2004/07/20	THIS DRAWING IS ONLY FOR 47151-1061/1071/1081 <b>1.0 HDMI RIGHT ANGLE          HEADER ASSEMBLY(19 PIN)          LEAD FREE</b>				
			2 PLACES ± 0.25 ± ---	1 PLACE ± 0.25 ± ---	CHECKED BY GRMA	DATE 2004/07/20	<b>molex</b>				
			0 PLACE ± ±	ANGULAR ± 3°	APPROVED BY YTYAP	DATE 2004/07/20	MATERIAL NO. SEE SHEET 6	DOCUMENT NO. SD-47151-001	SHEET NO. 3 OF 8		
DRAFT WHERE APPLICABLE MUST REMAIN WITHIN DIMENSIONS			THIS DRAWING CONTAINS INFORMATION THAT IS PROPRIETARY TO MOLEX INCORPORATED AND SHOULD NOT BE USED WITHOUT WRITTEN PERMISSION								

Contact us: sales@integrated-circuit.com Website: www.integrated-circuit.com



WITH BACK COVER



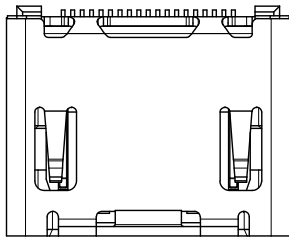
THIS IS ONLY FOR  
47151-1025/1075/1085/6022/6032/1026/2062

NOTES:

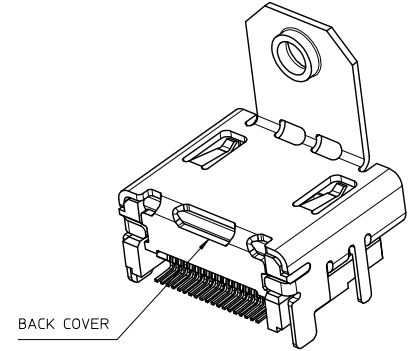
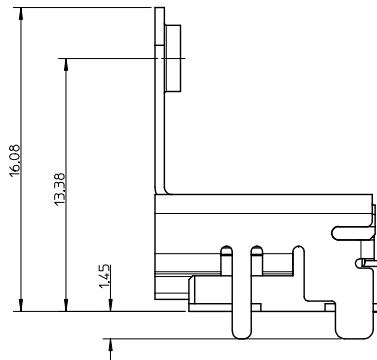
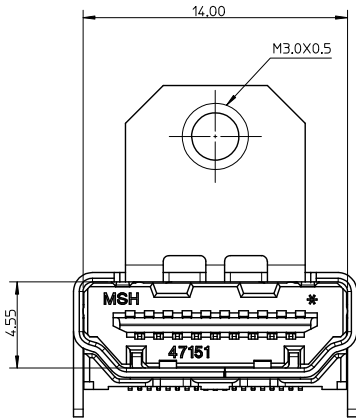
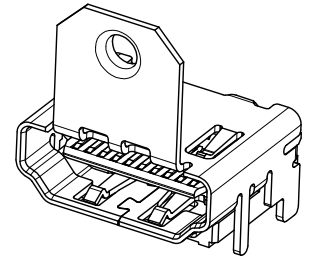
1. THE UNSPECIFIED DIMENSIONS REFER TO 47151-0002.
2. PACKAGE SPECIFICATION FOR WITH FLANGE:  
OPTION 1: 47151-1026/2062/6032 REFER TO PK-47151-005,  
OPTION 2: 47151-1102 REFER TO PK-47151-003,  
OPTION 3: OTHER PART NUMBER REFER TO PK-47151-002.

<b>REVISE NOTE</b> EC NO: S2014-0536 2013/12/05 DRW: FCS00 CHKD: JIANZ 2013/12/17 APPR: KHLIN 2013/12/20	QUALITY SYMBOLS	GENERAL TOLERANCES (UNLESS SPECIFIED)	DIMENSION STYLE	SCALE	DESIGN UNITS	THIRD ANGLE PROJECTION
	∇=0 ∇=0 ∇=0	4 PLACES ± --- ± --- 3 PLACES ± --- ± --- 2 PLACES ± 0.25 ± --- 1 PLACE ± 0.25 ± --- 0 PLACE ± ±	MM ONLY	NTS	METRIC	DRAWN BY: RZHANG DATE: 2004/07/20 CHECKED BY: GRMA DATE: 2004/07/20 APPROVED BY: YTYAP DATE: 2004/07/20
		ANGULAR ± 3°				TITLE
		DRAFT WHERE APPLICABLE MUST REMAIN WITHIN DIMENSIONS				1.0 HDMI RIGHT ANGLE HEADER ASSEMBLY(19 PIN) LEAD FREE <b>molex</b>
			SEE SHEET 6		DOCUMENT NO.	SHEET NO.
					SD-47151-001	4 OF 8
			THIS DRAWING CONTAINS INFORMATION THAT IS PROPRIETARY TO MOLEX INCORPORATED AND SHOULD NOT BE USED WITHOUT WRITTEN PERMISSION			

Contact us: sales@integrated-circuit.com Website: www.integrated-circuit.com



WITHOUT TOP HOLE



- NOTES:  
 1. THE UNSPECIFIED DIMENSIONS REFER TO 47151-1102.  
 2. PACKAGE SPECIFICATION FOR WITH FLANGE REFER TO PK-47151-002.

<b>REVISE NOTE</b> EC NO. S2014-0536 DRAWN BY: 2013/12/05 CHKD: JIAN2 2013/12/17 APPR: KILIM 2013/12/20	<b>QUALITY SYMBOLS</b> = 0 = 0 = 0	<b>GENERAL TOLERANCES (UNLESS SPECIFIED)</b>		<b>DIMENSION STYLE</b> MM ONLY		SCALE NTS	DESIGN UNITS METRIC	THIRD ANGLE PROJECTION
		4 PLACES ± --- ± ---	DRAWN BY	DATE	TITLE			
		3 PLACES ± --- ± ---	RZHANG	2004/07/20	1.0 HDMI RIGHT ANGLE			
		2 PLACES ± 0.25 ± ---	CHECKED BY	DATE	HEADER ASSEMBLY(19 PIN)			
1 PLACE ± 0.25 ± ---	GRMA	2004/07/20	LEAD FREE					
0 PLACE ± ±	APPROVED BY	DATE						
ANGULAR ± 3 °		YTYAP	2004/07/20	MATERIAL NO.	DOCUMENT NO.	SD-47151-001		SHEET NO.
DRAFT WHERE APPLICABLE MUST REMAIN WITHIN DIMENSIONS		SEE SHEET 6		THIS DRAWING CONTAINS INFORMATION THAT IS PROPRIETARY TO MOLEX INCORPORATED AND SHOULD NOT BE USED WITHOUT WRITTEN PERMISSION		5 OF 8		

Contact us: sales@integrated-circuit.com Website: www.integrated-circuit.com

ASSEMBLY P/N	DIMENSION					FEATURE				HOUSING COLOUR	GOLD PLATING IN CONTACT AREA	SHELL PLATING	REMARK
	DIM A	DIM B	DIM C	DIM D	DIM E	FLANGE	BACK COVER	TOP HOLES	MYLAR				
47151-0001											SEE NOTE 2 (1)	SEE NOTE 2 (a)	FOR SHEET 1
47151-0041										BLACK	SEE NOTE 2 (2)		
47151-0051											SEE NOTE 2 (3)		
47151-0011											SEE NOTE 2 (1)		
47151-0071	1.80	2.20	/	/	/	W/O	W/O	WITH	W/O	NATURE	SEE NOTE 2 (2)		
47151-0061											SEE NOTE 2 (3)		
47151-0021										BLACK	SEE NOTE 2 (1)		
47151-0031										NATURE	SEE NOTE 2 (1)		
47151-0101											SEE NOTE 2 (1)		
47151-0141										BLACK	SEE NOTE 2 (2)		
47151-0151											SEE NOTE 2 (3)		
47151-0111											SEE NOTE 2 (1)		
47151-0181	1.45	1.45	/	/	/	W/O	W/O	WITH	W/O	NATURE	SEE NOTE 2 (2)		
47151-0161											SEE NOTE 2 (3)		
47151-0121										BLACK	SEE NOTE 2 (1)		
47151-0131										NATURE	SEE NOTE 2 (1)		
47151-0002											SEE NOTE 2 (1)		
47151-0042										BLACK	SEE NOTE 2 (2)		
47151-0062											SEE NOTE 2 (3)		
47151-0012											SEE NOTE 2 (1)		
47151-0052	1.80	2.20	M3.0x0.5	16.08	13.38	WITH	W/O	WITH	W/O	NATURE	SEE NOTE 2 (2)		
47151-0072											SEE NOTE 2 (3)		
47151-0022										BLACK	SEE NOTE 2 (1)		
47151-0032										NATURE	SEE NOTE 2 (1)		
47151-0102											SEE NOTE 2 (1)		
47151-0142										BLACK	SEE NOTE 2 (2)		
47151-0162											SEE NOTE 2 (3)		
47151-0112											SEE NOTE 2 (1)		
47151-0152	1.45	1.45	M3.0x0.5	16.08	13.38	WITH	W/O	WITH	W/O	NATURE	SEE NOTE 2 (2)		
47151-0172											SEE NOTE 2 (3)		
47151-0122										BLACK	SEE NOTE 2 (1)		
47151-0132										NATURE	SEE NOTE 2 (1)		
47151-6002											SEE NOTE 2 (1)		
47151-6062	1.80	2.20	M3.0x0.5	14.25	11.28	WITH	W/O	WITH	W/O	BLACK	SEE NOTE 2 (2)		
47151-6082											SEE NOTE 2 (3)		
47151-6102											SEE NOTE 2 (1)		
47151-6172	1.45	1.45	M3.0x0.5	14.25	11.28	WITH	W/O	WITH	W/O	BLACK	SEE NOTE 2 (2)		
47151-6162											SEE NOTE 2 (3)		

REVISE NOTE EC NO: S2014-0536 DRAWN: CS00 CHKD: JIAN02 APPR: KILLIM 2013/12/05 2013/12/17 2013/12/20	QUALITY SYMBOLS $\sqrt{\text{R}}=0$ $\sqrt{\text{E}}=0$ $\sqrt{\text{D}}=0$	GENERAL TOLERANCES (UNLESS SPECIFIED)		DIMENSION STYLE		SCALE	DESIGN UNITS	THIRD ANGLE PROJECTION	
				MM ONLY		NTS	METRIC		
				mm	INCH	DRAWN BY	DATE	TITLE	
				4 PLACES ± ---	± ---	RZHANG	2004/07/20	1.0 HDMI RIGHT ANGLE HEADER ASSEMBLY(19 PIN) LEAD FREE	
				3 PLACES ± ---	± ---	CHECKED BY	DATE	molex	
		2 PLACES ± 0.25	± ---	GRMA	2004/07/20	DOCUMENT NO. SD-47151-001			
		1 PLACE ± 0.25	± ---	APPROVED BY	DATE	SHEET NO. 6 OF 8			
		0 PLACE ±	±	YTYAP	2004/07/20	SEE SHEET 6			
		ANGULAR ± 3°		MATERIAL NO.		THIS DRAWING CONTAINS INFORMATION THAT IS PROPRIETARY TO MOLEX INCORPORATED AND SHOULD NOT BE USED WITHOUT WRITTEN PERMISSION			
		DRAFT WHERE APPLICABLE MUST REMAIN WITHIN DIMENSIONS		SIZE A3					

Contact us: sales@integrated-circuit.com Website: www.integrated-circuit.com

ASSEMBLY P/N	DIMENSION					FEATURE				HOUSING COLOUR	GOLD PLATING IN CONTACT AREA	SHELL PLATING	REMARK
	DIM A	DIM B	DIM C	DIM D	DIM E	FLANGE	BACK COVER	TOP HOLES	MYLAR				
47151-1001	1.80	2.20	/	/	/	W/O	WITH	WITH	W/O	BLACK		SEE NOTE 2 (a)	FOR SHEET 3
47151-1041													
47151-1051													
47151-1003													
47151-1061									WITH	BLACK			
47151-1071													
47151-1081									W/O	NATURE			
47151-1011													
47151-1211													
47151-1311													
47151-1021													
47151-1091													
47151-1031									BLACK				
47151-1101													
47151-1141	1.45	1.45	/	/	/	W/O	WITH	WITH	W/O	NATURE		SEE NOTE 2 (a)	
47151-1151													
47151-1111													
47151-1161													
47151-1171													
47151-1121													
47151-1131	BLACK												
47151-1131													
47151-7102	1.45	1.45	MAX0.05	16.08	13.38	WITH	WITH	W/O	W/O	BLACK		SEE NOTE 2 (a)	FOR SHEET 5
47151-7142													
47151-7162													

<b>REVISE NOTE</b> EC NO: S2014-0536 DRAWN BY: RZ CHKD: JIAN02 APPR: KILLIM	2013/12/05 2013/12/17 2013/12/20	QUALITY SYMBOLS $\sqrt{\text{R}}=0$ $\sqrt{\text{S}}=0$ $\sqrt{\text{P}}=0$	GENERAL TOLERANCES (UNLESS SPECIFIED)		DIMENSION STYLE		SCALE	DESIGN UNITS	THIRD ANGLE PROJECTION
			mm	INCH	MM ONLY	NTS	METRIC		
			4 PLACES ± --- ± ---		DRAWN BY	DATE	TITLE		
			3 PLACES ± --- ± ---		RZHANG	2004/07/20	1.0 HDMI RIGHT ANGLE HEADER ASSEMBLY(19 PIN) LEAD FREE		
2 PLACES ± 0.25 ± ---		CHECKED BY	DATE						
1 PLACE ± 0.25 ± ---		GRMA	2004/07/20						
0 PLACE ± ±		APPROVED BY	DATE						
		YTYAP	2004/07/20						
ANGULAR ± 3 °		MATERIAL NO.		DOCUMENT NO.	SHEET NO.				
DRAFT WHERE APPLICABLE MUST REMAIN WITHIN DIMENSIONS		SEE SHEET 6		SD-47151-001	7 OF 8				
THIS DRAWING CONTAINS INFORMATION THAT IS PROPRIETARY TO MOLEX INCORPORATED AND SHOULD NOT BE USED WITHOUT WRITTEN PERMISSION									



Contact us: sales@integrated-circuit.com Website: www.integrated-circuit.com

ASSEMBLY P/N	DIMENSION					FEATURE				HOUSING COLOUR	GOLD PLATING IN CONTACT AREA	SHELL PLATING	REMARK
	DIM A	DIM B	DIM C	DIM D	DIM E	FLANGE	BACK COVER	TOP HOLES	MYLAR				
47151-1002											SEE NOTE 2 (1)	SEE NOTE 2 (a)	FOR SHEET 4
47151-1042									W/O	BLACK	SEE NOTE 2 (2)		
47151-1052											SEE NOTE 2 (3)		
47151-1062											SEE NOTE 2 (4)		
47151-2062	1.80	2.20	M3.0x0.5	16.08	13.38	WITH	WITH	WITH	WITH	BLACK	SEE NOTE 2 (4)		
47151-1012											SEE NOTE 2 (1)		
47151-1072									W/O	NATURE	SEE NOTE 2 (2)		
47151-1082											SEE NOTE 2 (3)		
47151-1022										BLACK	SEE NOTE 2 (1)		
47151-1032										NATURE	SEE NOTE 2 (1)		
47151-1102											SEE NOTE 2 (1)		
47151-1142										BLACK	SEE NOTE 2 (2)		
47151-1152											SEE NOTE 2 (3)		
47151-1112	1.45	1.45	M3.0x0.5	16.08	13.38	WITH	WITH	WITH	W/O		SEE NOTE 2 (1)		
47151-1162										NATURE	SEE NOTE 2 (2)		
47151-1172											SEE NOTE 2 (3)		
47151-1122										BLACK	SEE NOTE 2 (1)		
47151-1132										NATURE	SEE NOTE 2 (1)		
47151-1005											SEE NOTE 2 (1)		
47151-1045									W/O	BLACK	SEE NOTE 2 (2)		
47151-1065											SEE NOTE 2 (3)		
47151-1015											SEE NOTE 2 (1)		
47151-1035	1.80	2.20	4-40	16.08	13.38	WITH	WITH	WITH		NATURE	SEE NOTE 2 (2)		
47151-1055											SEE NOTE 2 (3)		
47151-1025											SEE NOTE 2 (1)		
47151-1075									WITH	BLACK	SEE NOTE 2 (2)		
47151-1085											SEE NOTE 2 (3)		
47151-1026											SEE NOTE 2 (1)		
47151-6012											SEE NOTE 2 (1)		
47151-6042									W/O	BLACK	SEE NOTE 2 (2)		
47151-6052	1.80	2.20									SEE NOTE 2 (3)		
47151-6022			M3.0x0.5	14.25	11.28	WITH	WITH	WITH		BLACK	SEE NOTE 2 (1)		
47151-6032											SEE NOTE 2 (3)		
47151-6112											SEE NOTE 2 (1)		
47151-6142	1.45	1.45							W/O	BLACK	SEE NOTE 2 (2)		
47151-6152											SEE NOTE 2 (3)		

<b>REVISE NOTE</b> EC. NO: S2014-0536 DRAWN BY: 2013/12/05 CHKD: JIAN02 APPR: KILLIM 2013/12/17 2013/12/20	<b>QUALITY SYMBOLS</b> $\sqrt{\text{R}}=0$ $\sqrt{\text{S}}=0$ $\sqrt{\text{T}}=0$	<b>GENERAL TOLERANCES (UNLESS SPECIFIED)</b>		<b>DIMENSION STYLE</b> MM ONLY		<b>SCALE</b> NTS	<b>DESIGN UNITS</b> METRIC	<b>THIRD ANGLE PROJECTION</b>	
			mm	INCH	DRAWN BY: RZHANG DATE: 2004/07/20	<b>TITLE</b> 1.0 HDMI RIGHT ANGLE HEADER ASSEMBLY(19 PIN) LEAD FREE			
			4 PLACES ± ---	± ---	CHECKED BY: GRMA DATE: 2004/07/20				
			3 PLACES ± ---	± ---	APPROVED BY: YTYAP DATE: 2004/07/20				
	2 PLACES ± 0.25	± ---	MATERIAL NO. SEE SHEET 6		DOCUMENT NO. SD-47151-001		SHEET NO. 8 OF 8		
	1 PLACE ± 0.25	± ---	DRAFT WHERE APPLICABLE MUST REMAIN WITHIN DIMENSIONS						
	0 PLACE ±	±	THIS DRAWING CONTAINS INFORMATION THAT IS PROPRIETARY TO MOLEX INCORPORATED AND SHOULD NOT BE USED WITHOUT WRITTEN PERMISSION						