

Excellent Integrated System Limited

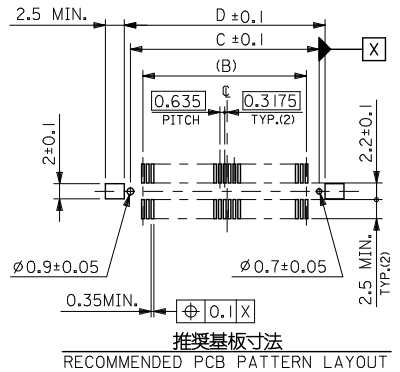
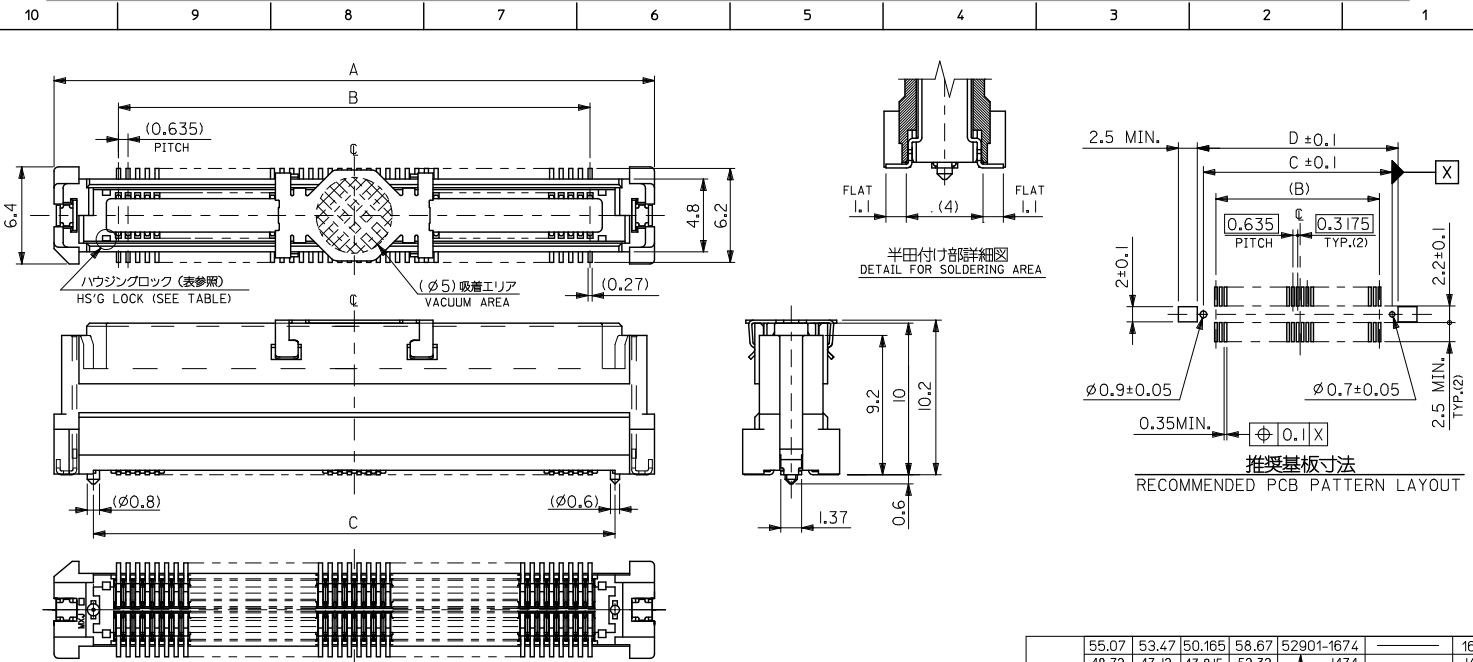
Stocking Distributor

Click to view price, real time Inventory, Delivery & Lifecycle Information:

[Molex Connector Corporation](#)
[0529010474](#)

For any questions, you can email us directly:

sales@integrated-circuit.com



注) NOTES

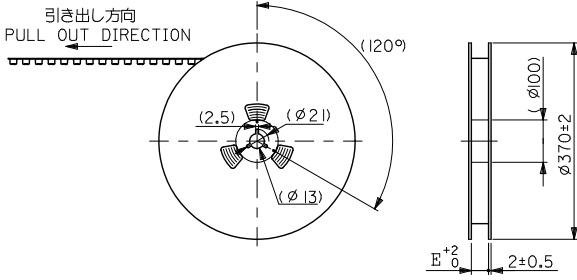
- 材質
MATERIAL
ハウジング: ガラス入りLCP、白色、UL94V-0
HOUSING: G.F.LCP, WHITE, UL94V-0
ターミナル: 銅合金 (t=0.2)
TERMINAL: COPPER ALLOY
吸着カバー: ステンレス (t=0.2)
VACUUM COVER: STAINLESS STEEL
補着金具: 銅合金 (t=0.25)
FITTING NAIL: COPPER ALLOY
- メッキ仕様
PLATING
ターミナル: 接点部: 金メッキ 0.25µmMIN.
CONTACT AREA: GOLD 0.25µmMIN.
半田付け部: 錫メッキ 1µmMIN.
SOLDER TAIL AREA: TIN 1µmMIN.
下地メッキ: ニッケルメッキ 2µmMIN.
UNDER-PLATING: NICKEL 2µmMIN.
補助金具: 錫メッキ 1.0マイクロメートル以上
FITTING NAIL: OVER PLATING TIN 1.0 MICROMETER MINIMUM
下地メッキ: ニッケルメッキ 1.0マイクロメートル以上
UNDER PLATING NICKEL 1.0 MICROMETER MINIMUM
- テールのバラッキ寸法
TAIL COPLANARITY
テール平坦度は、0.1 MAX.とする。
TAILS COPLANARITY TO BE 0.1MAX.
- エンボス対応済みの極数については、SD-52901-009を参照下さい。
FOR THE EMBOSSED PACKAGE PRODUCTS, SEE SD-52901-009.
- 本製品は 52901-***2 の鉛フリー品である。
THIS PRODUCT IS LEAD FREE OF 52901-***2.

無し NO	55.07	53.47	50.165	58.67	52901-1674	160
	48.72	47.12	43.815	52.32	-1474	140
	42.37	40.77	37.465	45.97	-1274	120
	36.02	34.42	31.115	39.62	-1074	100
	32.85	31.25	27.94	36.45	-0974	90
	29.67	28.07	24.765	33.27	-0874	80
	26.5	24.9	21.59	30.1	-0774	70
有り YES	23.32	21.72	18.415	26.92	-0674	60
	16.97	15.37	12.065	20.57	-0474	40
	13.8	12.2	8.89	17.4	-0374	30
	10.62	9.02	5.715	14.22	-0274	20
ハウジング HS'G LOCK	D	C	B	A	エンボス梱包 EMBOSSED PACKAGING	スティック梱包 STICK PACKAGING
					極数 PKT. NO.	

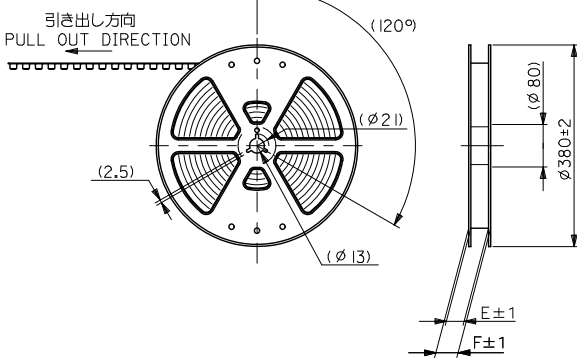
REVISED EC NO. J2012-1233 DRAWN: KAIHO 2012/03/16 CHKD: TASHIKAWA 2012/03/16 APPR: HISASAO 2012/03/19	GENERAL TOLERANCES (UNLESS SPECIFIED)		DIMENSION STYLE MM ONLY		SCALE ---		DESIGN UNITS METRIC		CONNECTORS SERIES No. 52901-***72		THIRD ANGLE PROJECTION	
	10 UNDER	±0.2	DRAWN BY M. NINOMIYA	DATE '04/03/04	TITLE 0.635 PITCH B-TO-B CONN. REC. HS'G COVER ASS'Y -LEAD FREE-		MATERIAL NO. SEE TABLE		DOCUMENT NO. SD-52901-008		SHEET NO. 1 OF 1	
	10 OVER 30 UNDER	±0.25	CHECKED BY K. TOJO	DATE '04/03/04	MOLEX INCORPORATED		THIS DRAWING CONTAINS INFORMATION THAT IS PROPRIETARY TO MOLEX INCORPORATED AND SHOULD NOT BE USED WITHOUT WRITTEN PERMISSION					
	30 OVER	±0.3	APPROVED BY M. SASAO	DATE '04/03/04								
	ANGULAR ±3°		DRAFT WHERE APPLICABLE MUST REMAIN WITHIN DIMENSIONS									

10 9 8 7 6 5 4 3 2 1

20~140P



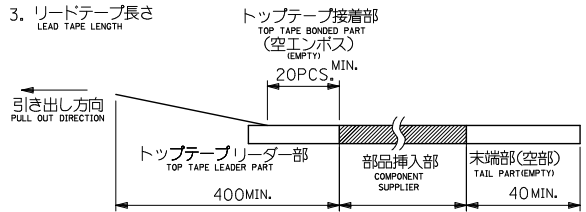
160P



注)
NOTES

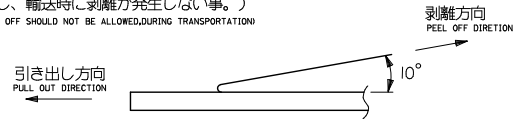
1. 製品番号 52901-***72 の詳細寸法については、SD-52901-008 を参照下さい。
IN THE PACKAGE, PART NO. 52901-***72 DETAILED DIMENSIONS, SEE SD-52901-008

2. 梱包数量 : 440 個/リール
NUMBER OF CONNECTORS : 440 PCS/REEL



4. トップテープの剥離強度 (剥離方向は下図参照)
PEELING OFF FORCE OF TOP TAPE (PEELING DIRECTION AS SHOWN IN FOLLOWING FIG.)
0. 1N~1.3N {10gf~130gf} : キャリアテープ幅2.4mm~7.2mm
CARRIER TAPE WIDTH 2.4mm~7.2mm

尚、本規格値は、出荷時に適用。
THIS REQUIREMENT SHOULD BE APPLIED AT SHIPMENT
(但し、輸送時に剥離が発生しない事。)
(PEEL OFF SHOULD NOT BE ALLOWED DURING TRANSPORTATION)



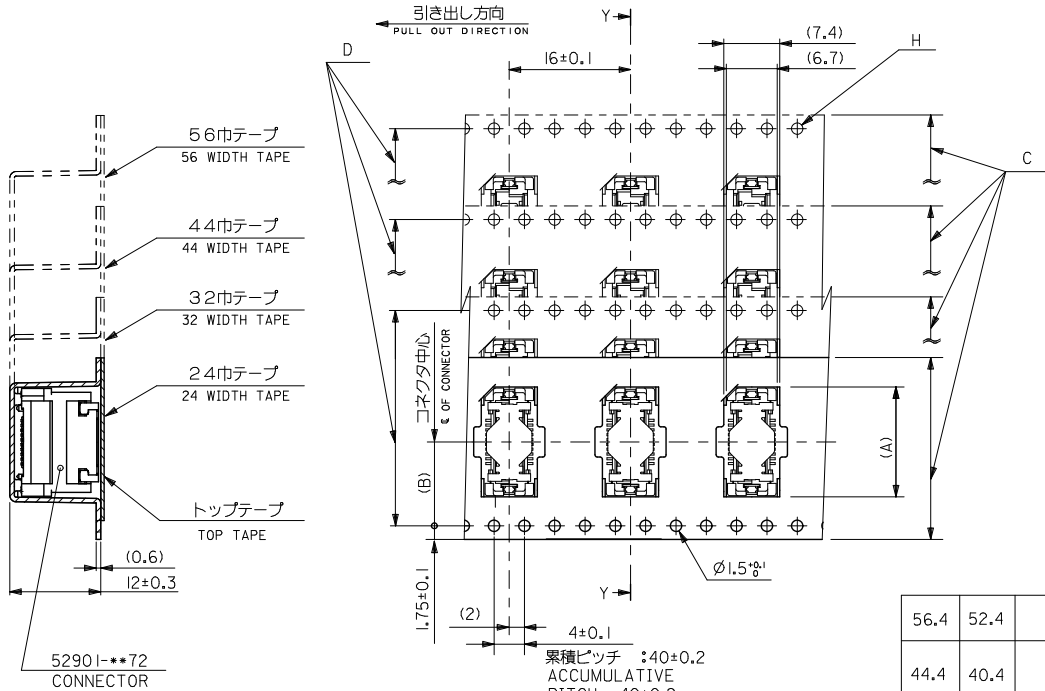
5. 材料
MATERIAL
キャリアテープ : ポリプロピレン (PP)
CARRIER TAPE : POLYPROPYLENE (PP)
トップテープ : PET, PE, PEF
TOP TAPE : PET, PE, PEF
リール : 紙 (20~140P)
ポリスチレン (160P)
REEL/CARD BOARD (20~140P)
POLYSTYRENE (160P)

6. 本製品は 52901-***4 の鉛フリー品である。
THIS PRODUCT IS LEAD FREE OF 52901-***4.

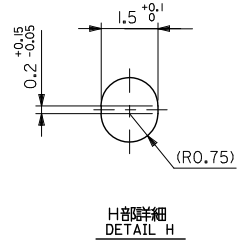
52901-***74
MODEL NO.

REVISED EC NO. J2012-1233 DRAWN: KAIHO 2012/03/19 CHKD: TASHIKAWA 2012/03/19 APPR: HSASAO 2012/03/19	GENERAL TOLERANCES (UNLESS SPECIFIED)		DIMENSION STYLE MM ONLY		SCALE ---	DESIGN UNITS METRIC	THIRD ANGLE PROJECTION				
	10 UNDER	±---	DRAWN BY M. NINOMIYA	DATE '04/03/04	TITLE EMBOSSD TAPE PACKAGE FOR 52901-***72 -LEAD FREE-						
	10 OVER 30 UNDER	±---	CHECKED BY K. TOJO	DATE '04/03/04	MOLEX INCORPORATED						
	30 OVER	±---	APPROVED BY M. SASAO	DATE '04/03/04	DOCUMENT NO. SD-52901-009						
	ANGULAR ±---	DRAFT WHERE APPLICABLE MUST REMAIN WITHIN DIMENSIONS		MATERIAL NO. SEE CHART	SHEET NO. 1 OF 3						
				SIZE A3				THIS DRAWING CONTAINS INFORMATION THAT IS PROPRIETARY TO MOLEX INCORPORATED AND SHOULD NOT BE USED WITHOUT WRITTEN PERMISSION			

10 9 8 7 6 5 4 3 2 1



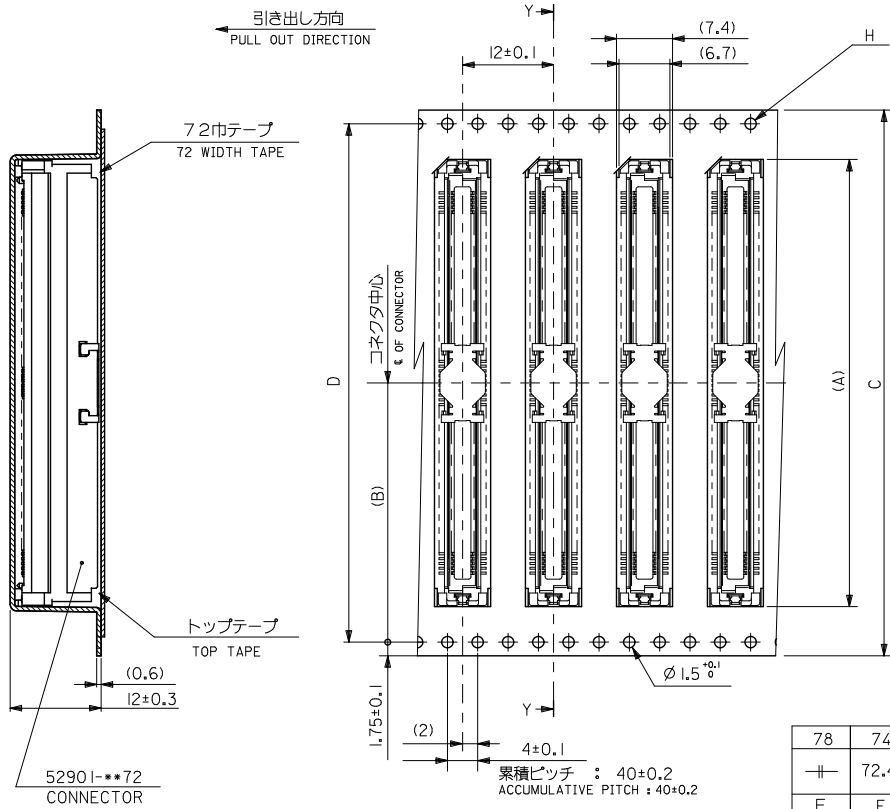
断面 Y-Y
SECTION Y-Y



56.4	52.4	56 ^{+0.3}	26.2	39.9	52901-1074	100
				36.8	-0974	90
44.4	40.4	44 ^{+0.3}	20.2	33.6	-0874	80
				27.2	-0674	60
32.4	28.4	32 ^{+0.3}	14.2	20.9	-0474	40
				17.7	-0374	30
24.4		24 ^{+0.3}	11.5	14.5	52901-0274	20
E	D	C	キャリアテープ幅 CARRIER TAPE WIDTH	B	A	MATERIAL NO. 種 CKT. NO.

REVISED EC NO. J2012-1233 DRAWN: KAIHO 2012/03/19 CHKD: TSKAWA 2012/03/19 APPR: SASAO 2012/03/19	GENERAL TOLERANCES (UNLESS SPECIFIED)		DIMENSION STYLE MM ONLY	SCALE ---	DESIGN UNITS METRIC	THIRD ANGLE PROJECTION
	10 UNDER	±---	DRAWN BY M. NINOMIYA	DATE '04/03/04	TITLE EMBOSSD TAPE PACKAGE FOR 52901-**-72 -LEAD FREE-	
	10 OVER 30 UNDER	±---	CHECKED BY K. TOJO	DATE '04/03/04	MOLEX INCORPORATED	
	30 OVER	±---	APPROVED BY M. SASAO	DATE '04/03/04	DOCUMENT NO. SD-52901-009	
	ANGULAR	±--- °	MATERIAL NO.	SHEET NO. 2 OF 3		
DRAFT WHERE APPLICABLE MUST REMAIN WITHIN DIMENSIONS			SEE CHART	THIS DRAWING CONTAINS INFORMATION THAT IS PROPRIETARY TO MOLEX INCORPORATED AND SHOULD NOT BE USED WITHOUT WRITTEN PERMISSION		

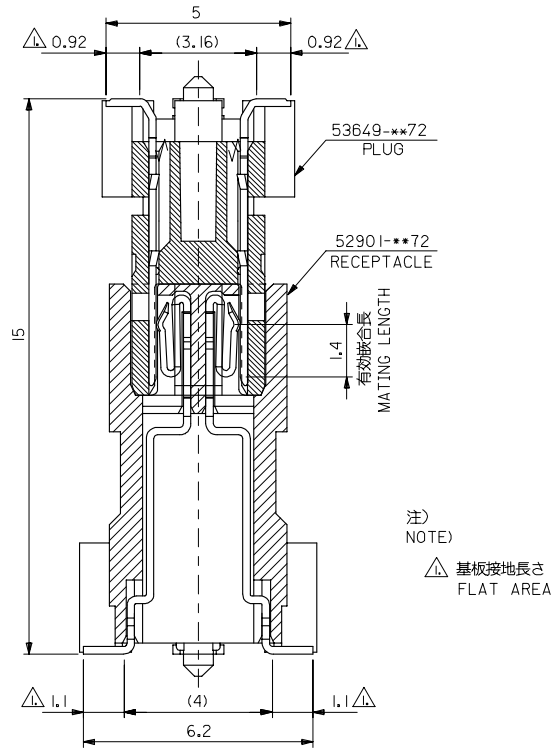
10 9 8 7 6 5 4 3 2 1



断面 Y-Y
SECTION Y-Y

78	74				59.0	59201-1674	160
—	72.4	68.4	72±0.3	34.2	52.6	52901-1474	140
F	E	D	C	キャリアテープ幅 CARRIER TAPE WIDTH	B	A	MATERIAL NO. 種 CKT. NO.
					46.3	52901-1274	120

REVISED EC NO. J2012-1233 DRAWN: KAIHO 2012/03/19 CHKD: TASHAWA 2012/03/19 APPR: SASAO 2012/03/19	DESCRIPTION	GENERAL TOLERANCES (UNLESS SPECIFIED)		DIMENSION STYLE MM ONLY		SCALE ---	DESIGN UNITS METRIC	THIRD ANGLE PROJECTION	
	10 UNDER	±	---	DRAWN BY M. NINOMIYA	DATE '04/03/04	TITLE EMBOSSD TAPE PACKAGE FOR 52901-72 -LEAD FREE-			
	10 OVER 30 UNDER	±	---	CHECKED BY K. TOJO	DATE '04/03/04				
	30 OVER	±	---	APPROVED BY M. SASAO	DATE '04/03/04	MOLEX INCORPORATED			
ANGULAR	±	---	MATERIAL NO.	DOCUMENT NO.	SHEET NO. 3 OF 3				
DRAFT WHERE APPLICABLE MUST REMAIN WITHIN DIMENSIONS		SEE CHART		SD-52901-009					
THIS DRAWING CONTAINS INFORMATION THAT IS PROPRIETARY TO MOLEX INCORPORATED AND SHOULD NOT BE USED WITHOUT WRITTEN PERMISSION									



注)
NOTE)

△ 基板接地長さ
FLAT AREA

RELEASED EC NO: J2005-3798 DRW: KENSUZUKI / 2005/06/20 CHK: NUKITA / 2005/06/20 APPR: NUKITA / 2005/06/20	GENERAL TOLERANCES (UNLESS SPECIFIED)		DIMENSION STYLE MM ONLY	SCALE 10:1	DESIGN UNITS METRIC	THIRD ANGLE PROJECTION
	10 UNDER	±0.2	DRAWN BY KENSUZUKI	DATE 2005/06/20	0.635 PITCH B TO B CONN. 52901/53649 SERIES MATING CROSS SECTION	
	10 OVER 30 UNDER	±0.25	CHECKED BY NUKITA	DATE 2005/06/20		
	30 OVER	±0.3	APPROVED BY NUKITA	DATE 2005/06/20	MOLEX INCORPORATED MOLEX	
ANGULAR	±3°	MATERIAL NO. SEE DRAWING	DOCUMENT NO. SD-52901-015	SHEET NO. 1 OF 1		
DRAFT WHERE APPLICABLE MUST REMAIN WITHIN DIMENSIONS		THIS DRAWING CONTAINS INFORMATION THAT IS PROPRIETARY TO MOLEX INCORPORATED AND SHOULD NOT BE USED WITHOUT WRITTEN PERMISSION				

10 9 8 7 6 5 4 3 2 1

F

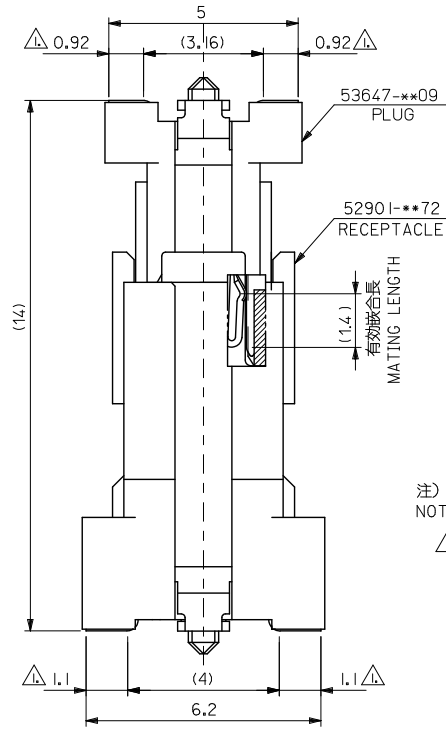
E

D

C

B

A



注)
NOTE)

△ 基板接地長さ
FLAT AREA

RELEASED EC NO. J2012-1293 DRWN:TKAHO 2012/04/09 CHKD:TASAKAWA 2012/04/10 APPR:MSASAO 2012/04/13 REV: 0	GENERAL TOLERANCES (UNLESS SPECIFIED)		DIMENSION STYLE	SCALE	DESIGN UNITS	THIRD ANGLE PROJECTION	
			MM ONLY	10:1	METRIC		
	10 UNDER	± 0.2	DRAWN BY	DATE	0.635 BB CONN. 52901/53647 SERIES MATING DRAWING molex DOCUMENT NO. SD-52901-017 SHEET NO. 1 OF 1		
	10 OVER 30 UNDER	± 0.25	TKAHO	2012/04/09			
30 OVER	± 0.3	TASAKAWA	2012/04/10				
ANGULAR ±3 °		APPROVED BY	DATE				
DRAFT WHERE APPLICABLE MUST REMAIN WITHIN DIMENSIONS		MSASAO	2012/04/13				
		MATERIAL NO.		SEE DRAWING			
		SIZE		THIS DRAWING CONTAINS INFORMATION THAT IS PROPRIETARY TO MOLEX INCORPORATED AND SHOULD NOT BE USED WITHOUT WRITTEN PERMISSION			

9 8 7 6 5 4 3 2 1