

## Excellent Integrated System Limited

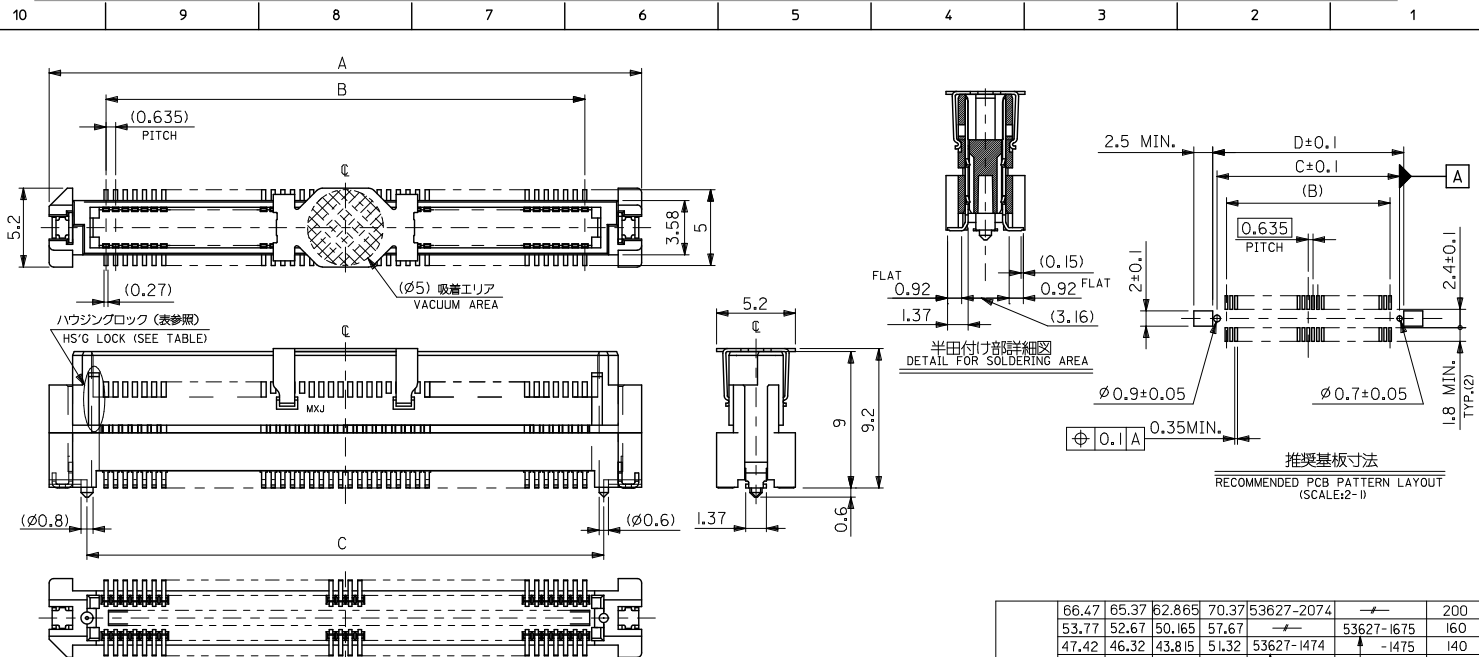
Stocking Distributor

Click to view price, real time Inventory, Delivery & Lifecycle Information:

[Molex Connector Corporation](#)  
[0536270874](#)

For any questions, you can email us directly:

[sales@integrated-circuit.com](mailto:sales@integrated-circuit.com)



**NOTES**

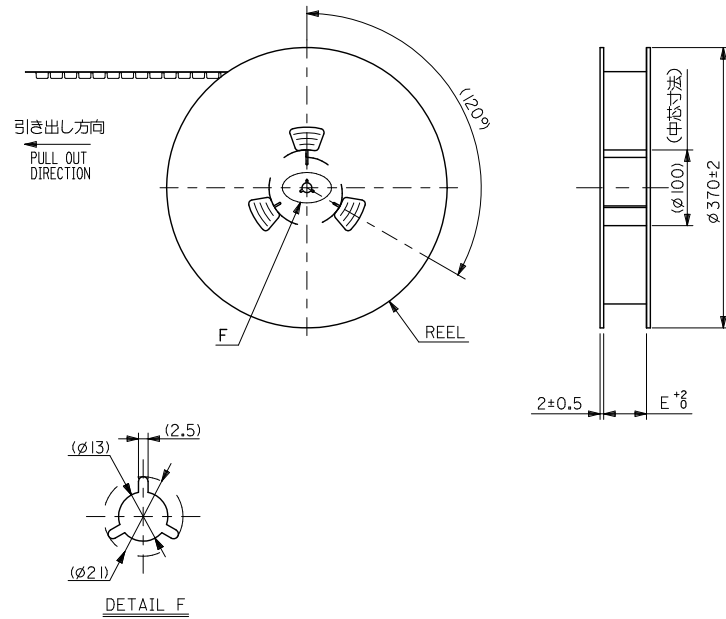
1. 材質 MATERIAL  
 ハウジング: ガラス入りPPS、茶色、UL 94V-0  
 HOUSING: POLYPHENYLENE SULFIDE, GLASS FILLED, BROWN, UL94V-0  
 ターミナル: 銅合金 (t=0.2)、ニッケルメッキ下地1.5マイクロナメートル以上  
 TERMINAL: COPPER ALLOY, UNDER-PLATING NICKEL 1.5 MICROMETER MIN.  
 接点部 : 金メッキ 0.25マイクロナメートル以上  
 CONTACT AREA: GOLD 0.25 MICROMETER MIN.  
 半田付け部 : 鉛メッキ1.0マイクロナメートル以上  
 SOLDER TAIL AREA: TIN 1.0 MICROMETER MIN.  
 ネール : リン青銅 (t=0.2)、ニッケルメッキ下地1.0マイクロナメートル以上  
 NAIL: PHOSPHOR BRONZE, UNDER-PLATING NICKEL 1.0 MICROMETER MIN.  
 鍍メッキ1.0マイクロナメートル以上  
 TIN 1.0 MICROMETER MIN.  
 吸着カバー: ステンレス (t=0.2)  
 VACUUM COVER: STAINLESS STEEL

2. テールのバラツキ寸法  
 TAIL COPLANARITY  
 テール平面度は、0.1ミリ以下とする。  
 TAILS COPLANARITY TO BE 0.1 MILLIMETER MAX.

無し NO	66.47	65.37	62.865	70.37	53627-2074	—	200
	53.77	52.67	50.165	57.67	—	53627-1675	160
有り YES	47.42	46.32	43.815	51.32	53627-1474	—1475	140
	41.07	39.97	37.465	44.97	—1274	—1275	120
	34.72	33.62	31.115	38.62	—1074	—1075	100
	31.55	30.45	27.94	35.45	—0974	—0975	90
	28.37	27.27	24.765	32.27	—0874	—0875	80
	25.2	24.1	21.59	29.1	—0774	—0775	70
	22.02	20.92	18.415	25.92	—0674	—0675	60
	18.85	17.75	15.24	22.75	—0574	—0575	50
	15.67	14.57	12.065	19.57	—0474	—0475	40
	12.5	11.4	8.89	16.4	—0374	—0375	30
9.32	8.22	5.715	13.22	53627-0274	53627-0275	20	
ハウジングロック HSG LOCK	D	C	B	A	エンボス梱包 EMBOSSED PACKAGE	スティック梱包 STICK PACKAGE	極数 CIRCUITS

REVISED EC NO. J2010-2458 DRAWN: TKAHO 2010/06/04 CHKD: M. SASAO 2010/06/10 APPR: M. SASAO 2010/06/11	GENERAL TOLERANCES (UNLESS SPECIFIED)		DIMENSION STYLE	SCALE	DESIGN UNITS	THIRD ANGLE PROJECTION
			MM ONLY	---	METRIC	◎ □
	10 UNDER	± 0.2	DRAWN BY	DATE	TITLE	
	10 OVER 30 UNDER	± 0.25	Y. SAKIYAMA	2004/03/05	0.635 PITCH B/B CONN. PLUG HSG COVER ASSY -LEAD FREE-	
	30 OVER	± 0.3	CHECKED BY	DATE	MOLEX INCORPORATED	
ANGULAR	± 3 °	M. SASAO	2004/03/05	MATERIAL NO.	DOCUMENT NO.	SHEET NO.
DRAFT WHERE APPLICABLE MUST REMAIN WITHIN DIMENSIONS		SEE CHART		SD-53627-001		1 OF 1
THIS DRAWING CONTAINS INFORMATION THAT IS PROPRIETARY TO MOLEX INCORPORATED AND SHOULD NOT BE USED WITHOUT WRITTEN PERMISSION						

10 9 8 7 6 5 4 3 2 1

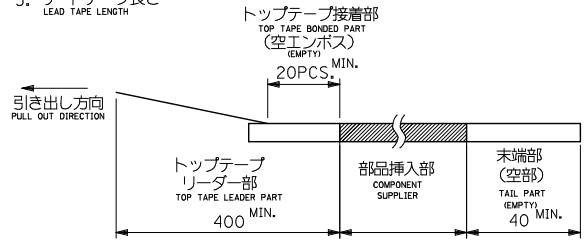


**NOTES**

1. 製品番号 53627-\*\*72 の詳細寸法については SD-53627-001 を参照下さい。  
IN THE PACKAGE, PART NO. 53627-\*\*72 DETAILED DIMENSIONS, SEE SD-53627-001.

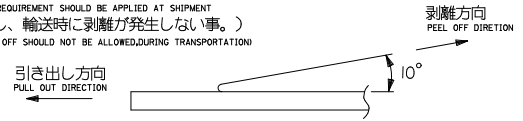
2. 梱包数量 : 700個/リール  
NUMBER OF CONNECTORS : 700 PCS/REEL

3. リードテープ長さ  
LEAD TAPE LENGTH



4. トップテープの剥離強度 (剥離方向は下図参照)  
PEELING OFF FORCE OF TOP TAPE (PEELING DIRECTION AS SHOWN IN FOLLOWING FIG.)  
0.1~1.3N (10~130gf)

尚、本規格値は、出荷時に適用。  
THIS REQUIREMENT SHOULD BE APPLIED AT SHIPMENT  
(但し、輸送時に剥離が発生しない事。)  
(PEEL OFF SHOULD NOT BE ALLOWED DURING TRANSPORTATION)

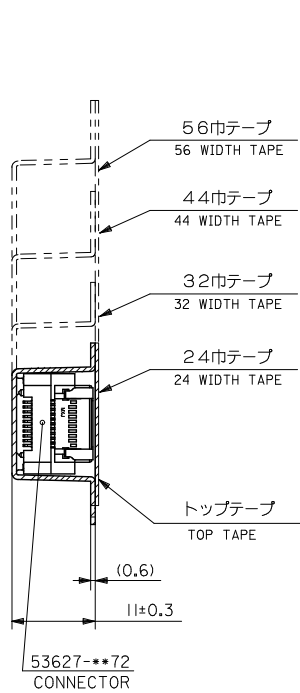


5. 材料

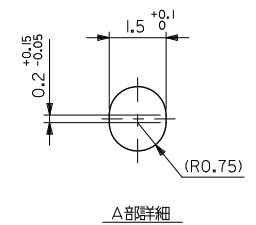
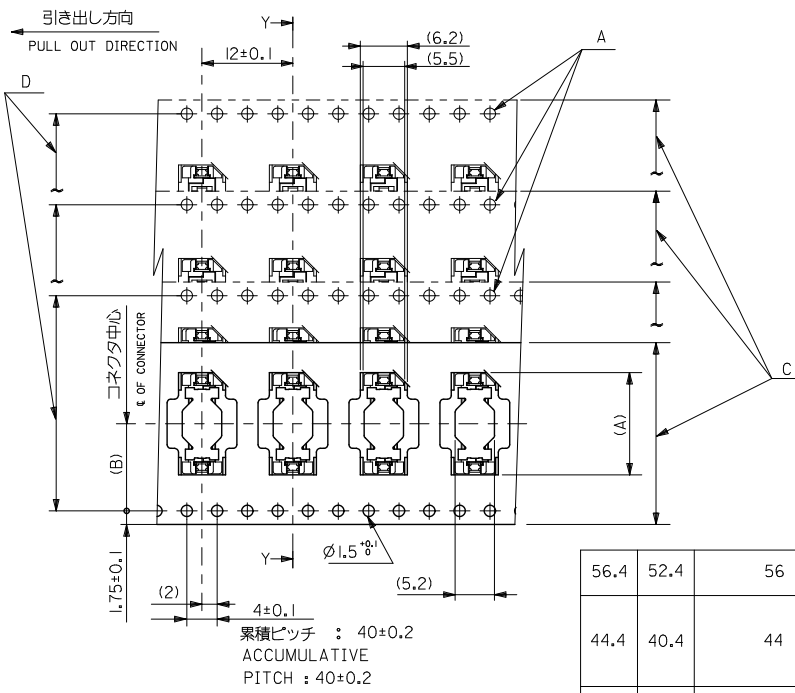
MATERIAL  
キャリアテープ : ポリプロピレン (PP)  
CARRIER TAPE : POLYPROPYLENE (PP)  
トップテープ : PET, PE, PEF  
TOP TAPE : PET, PE, PEF  
リール : 紙  
REEL : CARDBOARD

REVISED EC NO. J2010-2458 DRAWN: KAIHO 2010/06/04 CHKD: SASAO 2010/06/10 APPR: SASAO 2010/06/11	GENERAL TOLERANCES (UNLESS SPECIFIED)		DIMENSION STYLE MM ONLY		CONNECTOR SERIES No. 53627-**72	
	10 UNDER	± 0.2	DRAWN BY Y. SAKIYAMA	DATE 2004/03/05	SCALE ---	DESIGN UNITS METRIC
	10 OVER 30 UNDER	± 0.25	CHECKED BY M. SASAO	DATE 2004/03/05	TITLE EMBSTP PKG FOR 0.635 B/B PLUG HSG ASSY (H=10) -LEAD FREE-	
	30 OVER	± 0.3	APPROVED BY M. SASAO	DATE 2004/03/05	MOLEX INCORPORATED	
ANGULAR ± 3 °		MATERIAL NO.		DOCUMENT NO.		SHEET NO.
DRAFT WHERE APPLICABLE MUST REMAIN WITHIN DIMENSIONS		SEE CHART		SD-53627-002		1 OF 3
THIS DRAWING CONTAINS INFORMATION THAT IS PROPRIETARY TO MOLEX INCORPORATED AND SHOULD NOT BE USED WITHOUT WRITTEN PERMISSION						

10 9 8 7 6 5 4 3 2 1



断面 Y-Y  
SECTION Y-Y



A部詳細

累積ピッチ : 40±0.2  
ACCUMULATIVE PITCH : 40±0.2

56.4	52.4	56	26.2	38.9	53627-1074	100
				35.8	-0974	90
				32.6	-0874	80
44.4	40.4	44	20.2	29.4	-0774	70
				26.2	-0674	60
				23.1	-0574	50
				19.9	-0474	40
				16.7	-0374	30
24.4	24	24	11.5	13.5	53627-0274	20
E	D	C	キャリアテープ幅 CARRIER TAPE WIDTH	(B)	(A)	MATERIAL NO. 種数 CIRCUITS

REVISED EC NO. J2010-2458 DRAWN: KAIHO 2010/06/04 CHKD: M. SASAO 2010/06/10 APPR: M. SASAO 2010/06/11	GENERAL TOLERANCES (UNLESS SPECIFIED)		DIMENSION STYLE MM ONLY		CONNECTOR SERIES No. 53627-***72	
	10 UNDER	± 0.2	DRAWN BY Y. SAKIYAMA	DATE 2004/03/05	TITLE EMBSTP PKG FOR 0.635 B/B PLUG HSG ASSY (H=10) -LEAD FREE-	
	10 OVER 30 UNDER	± 0.25	CHECKED BY M. SASAO	DATE 2004/03/05	MATERIAL NO. DOCUMENT NO. SD-53627-002	
	30 OVER	± 0.3	APPROVED BY M. SASAO	DATE 2004/03/05	SHEET NO. 2 OF 3	
ANGULAR ±3°		DRAFT WHERE APPLICABLE MUST REMAIN WITHIN DIMENSIONS		MOLEX INCORPORATED		INCORPORATED AND SHOULD NOT BE USED WITHOUT WRITTEN PERMISSION
SIZE A3		SEE CHART				

10 9 8 7 6 5 4 3 2 1

F

E

D

C

B

A

F

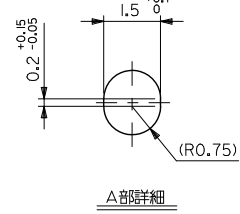
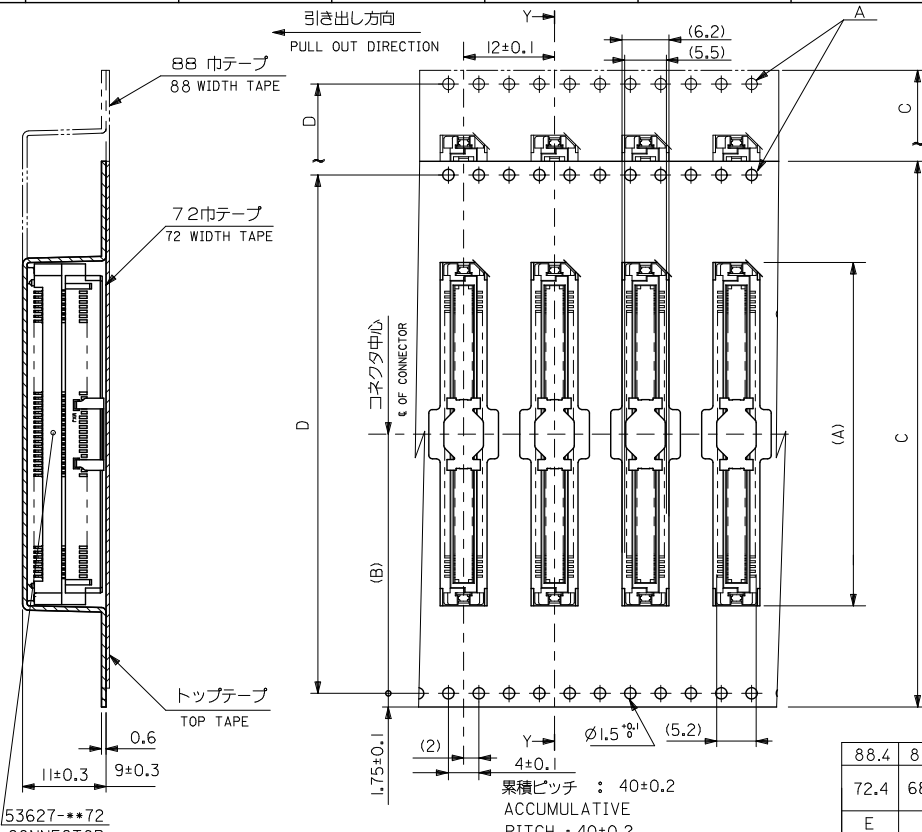
E

D

C

B

A



53627-\*\*\*72  
CONNECTOR  
断面 Y-Y  
SECTION Y-Y

累積ピッチ : 40±0.2  
ACCUMULATIVE  
PITCH : 40±0.2

88.4	84.4	88	42.2	70.7	53627-2074	200
72.4	68.4	72	34.2	51.6	53627-1474	140
				45.3	53627-1274	120
E	D	C	キャリアテープ幅 CARRIER TAPE WIDTH	(B)	(A)	MATERIAL NO. 種別 CIRCUITS

REVISED EC NO. J2010-2458 DRAWN: KAIHO 2010/06/04 CHIKUMI SASAO 2010/06/10 APPR: HSASAO 2010/06/11 REV. DESCRIPTION	GENERAL TOLERANCES (UNLESS SPECIFIED)		DIMENSION STYLE MM ONLY		CONNECTOR SERIES No. 53627-***72	
	10 UNDER	± 0.2	DRAWN BY Y. SAKIYAMA	DATE 2004/03/05	SCALE ---	DESIGN UNITS METRIC
	10 OVER 30 UNDER	± 0.25	CHECKED BY M. SASAO	DATE 2004/03/05	TITLE EMBSTP PKG FOR 0.635 B/B PLUG HSG ASSY (H=10) -LEAD FREE-	
	30 OVER	± 0.3	APPROVED BY M. SASAO	DATE 2004/03/05	MOLEX INCORPORATED	
ANGULAR ± 3 °		DRAFT WHERE APPLICABLE MUST REMAIN WITHIN DIMENSIONS		MATERIAL NO.	DOCUMENT NO. SD-53627-002	SHEET NO. 3 OF 3
SEE CHART				THIS DRAWING CONTAINS INFORMATION THAT IS PROPRIETARY TO MOLEX INCORPORATED AND SHOULD NOT BE USED WITHOUT WRITTEN PERMISSION		