

Excellent Integrated System Limited

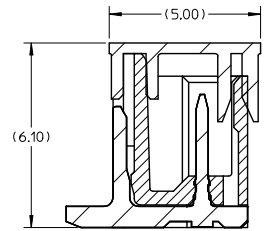
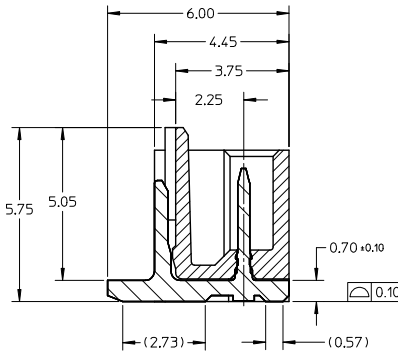
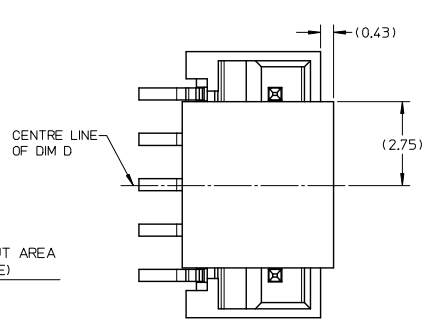
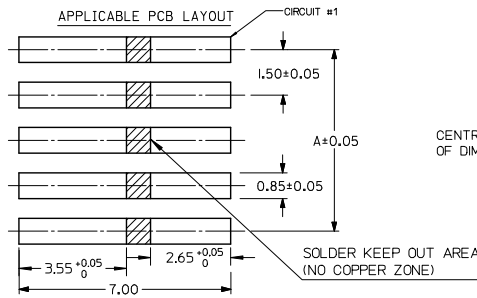
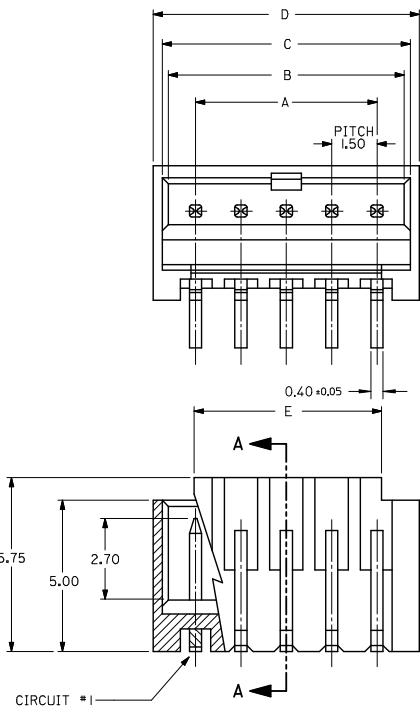
Stocking Distributor

Click to view price, real time Inventory, Delivery & Lifecycle Information:

[Molex Connector Corporation](#)
[0874370273](#)

For any questions, you can email us directly:
sales@integrated-circuit.com

10 9 8 7 6 5 4 3 2 1



SECTION A-A
(WITHOUT CAP)

SECTION A-A
(WITH CAP)

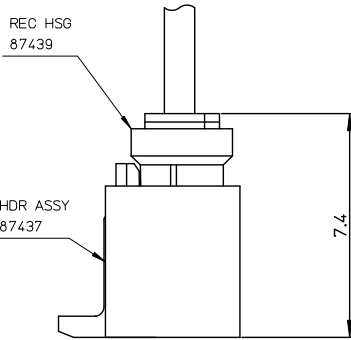
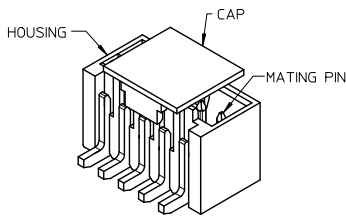
NOTES:

1. MATERIAL:
HOUSING: NYLON, GLASS FILLED, UL94 V-0,
COLOR - SEE TABLE.
CAP: NYLON, GLASS FILLED, UL94V-0
COLOR: BEIGE.
PINS: BRASS ALLOY, C26000, P/N87437-8083.
2. PLATING: 2.54µM. MIN. TIN OVER 1.27µM MIN. NICKEL.
3. DRAWING SHOWS PLUG WITH 5 CIRCUITS.
4. HEADER TO BE USED WITH CRIMP HOUSING, P/N 87439 AND CRIMP TERMINAL, P/N 87421.
5. PARTS TO BE PACKED IN MOISTURE BAG.
6. THIS DRAWING IS RE-DRAWING OF SD-87437-***31.

REVISED EC NO: J2014-0799 DRAWN BY: CHIKAKASAKAWA CHECKED BY: APPR: NUKITA	GENERAL TOLERANCES (UNLESS SPECIFIED)		DIMENSION STYLE MM ONLY		SCALE 8:1	DESIGN UNITS METRIC	THIRD ANGLE PROJECTION
	10 UNDER	± 0.20	DRAWN BY TYAJIMA01	DATE 2013/09/19	TITLE 150MM PITCH, W-T-B HEADER, VERTICAL, SMT molex DOCUMENT NO. SD-87437-001 SHEET NO. 1 OF 4		
	10 OVER 30 UNDER	± 0.20	CHECKED BY KASAKAWA	DATE 2013/09/20			
	30 OVER	± 0.20	APPROVED BY NUKITA	DATE 2013/09/25			
ANGULAR	± 3 °	MATERIAL NO. SEE TABLE					
DRAFT WHERE APPLICABLE MUST REMAIN WITHIN DIMENSIONS		THIS DRAWING CONTAINS INFORMATION THAT IS PROPRIETARY TO MOLEX INCORPORATED AND SHOULD NOT BE USED WITHOUT WRITTEN PERMISSION					

9 8 7 6 5 4 3 2 1

10 9 8 7 6 5 4 3 2 1

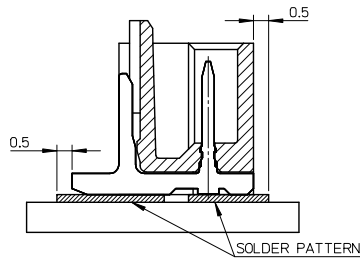


嵌合状態図
MATED CONNECTORS

PART NUMBER ASSIGNMENT

87437-XXXX

- 2- TUBE PACKAGING
- 3- TAPE AND REEL PACKAGING
- 4- BEIGE COLOR HSG } WITHOUT CAP
- 5- BLACK COLOR HSG }
- 6- BLACK COLOR HSG } WITH CAP
- 7- BEIGE COLOR HSG }
- 02 TO 15 CIRCUIT SIZE



MOUNTING POSITION OF THE CONNECTOR

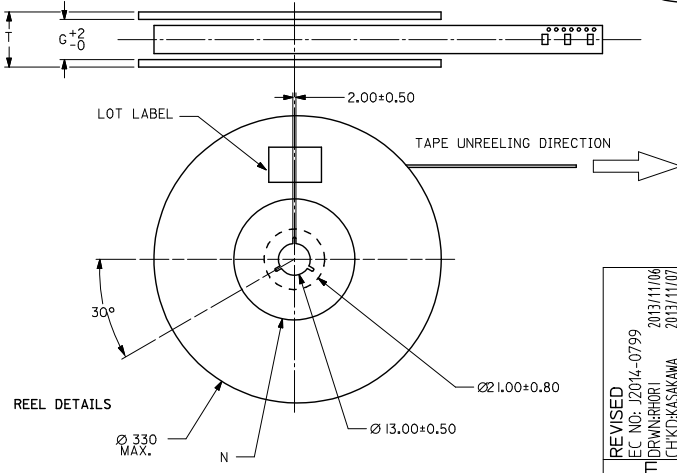
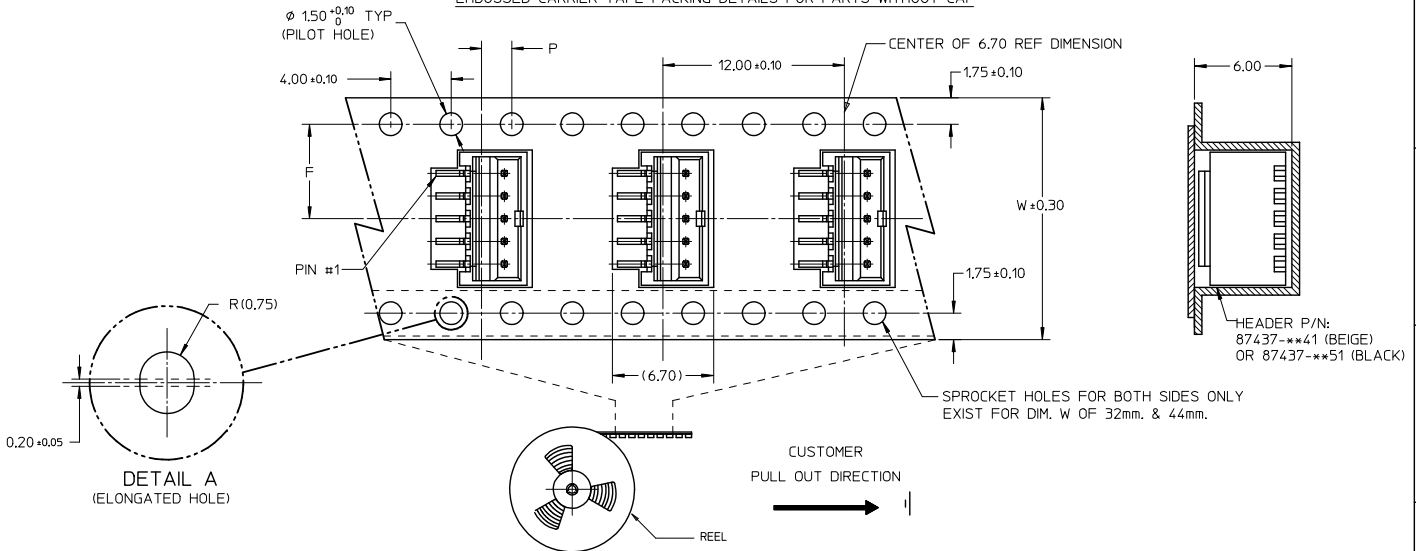
CIRCUIT SIZE	A	B	C	D	E
02	1.50	3.30	3.70	4.30	1.70
03	3.00	4.80	5.20	5.80	3.20
04	4.50	6.30	6.70	7.30	4.70
05	6.00	7.80	8.20	8.80	6.20
06	7.50	9.30	9.70	10.30	7.70
07	9.00	10.80	11.20	11.80	9.20
08	10.50	12.30	12.70	13.30	10.70
09	12.00	13.80	14.20	14.80	12.20
10	13.50	15.30	15.70	16.30	13.70
11	15.00	16.80	17.20	17.80	15.20
12	16.50	18.30	18.70	19.30	16.70
13	18.00	19.80	20.20	20.80	18.20
14	19.50	21.30	21.70	22.30	19.70
15	21.00	22.80	23.20	23.80	21.20

REVISED EC NO: J2014-0799 T: DRW:RHORI 2013/11/06 CHK:KASAKAWA 2013/11/07 APPR:NUKITA 2013/11/08	GENERAL TOLERANCES (UNLESS SPECIFIED)		DIMENSION STYLE	SCALE	DESIGN UNITS	THIRD ANGLE PROJECTION	
			MM ONLY	8:1	METRIC		
	DESCRIPTION	10 UNDER	± 0.20	DRAWN BY	DATE	TITLE 1.50MM PITCH, W-T-B HEADER, VERTICAL, SMT molex	
		10 OVER 30 UNDER	± 0.20	TYAJIMA01	2013/09/19		
	30 OVER	± 0.20	CHECKED BY	DATE			
	ANGULAR	± 3 °	KASAKAWA	2013/09/20	DOCUMENT NO. SD-87437-001		
	DRAFT WHERE APPLICABLE MUST REMAIN WITHIN DIMENSIONS		APPROVED BY	DATE			
			NUKITA	2013/09/25	SHEET NO. 2 OF 4		
			MATERIAL NO.		SEE TABLE THIS DRAWING CONTAINS INFORMATION THAT IS PROPRIETARY TO MOLEX INCORPORATED AND SHOULD NOT BE USED WITHOUT WRITTEN PERMISSION		
			SIZE				
			A3				

9 8 7 6 5 4 3 2 1

10 9 8 7 6 5 4 3 2 1

EMBOSSED CARRIER TAPE PACKING DETAILS FOR PARTS WITHOUT CAP

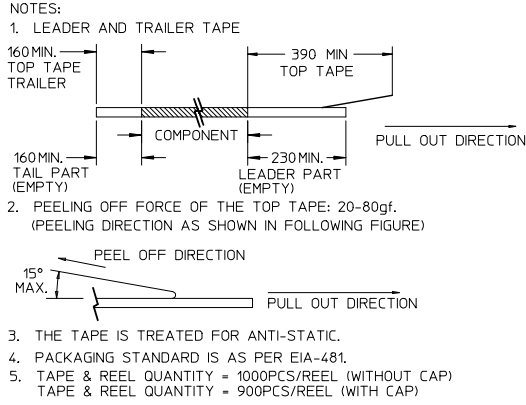
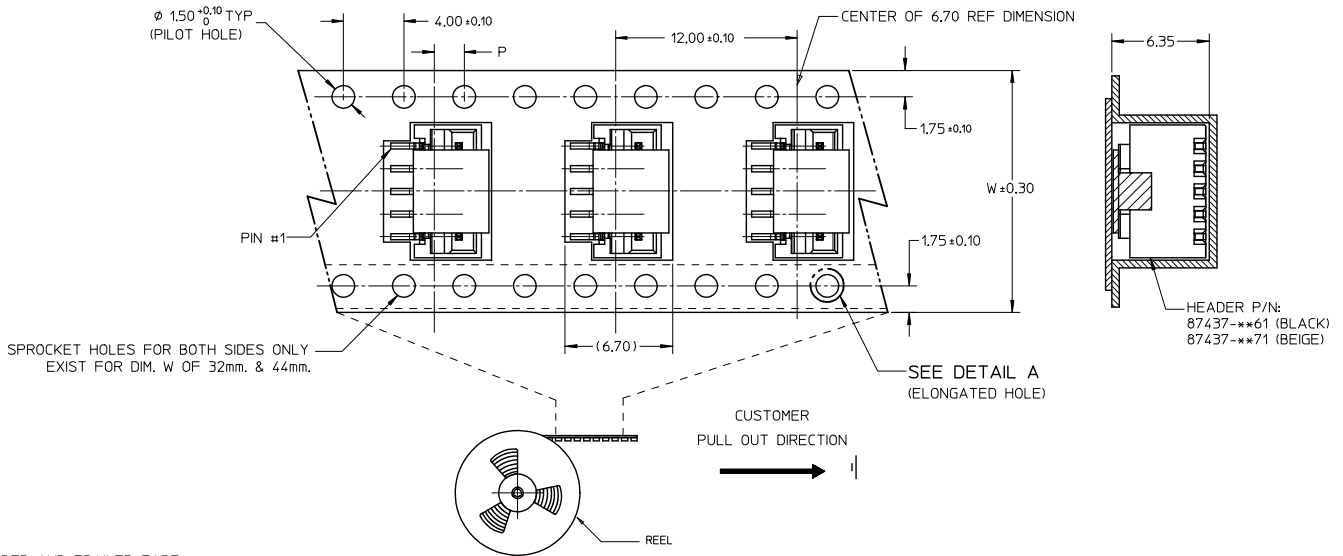


REVISED IEC NO. J2014-0799 DRAWN BY CHIKDKASAKAWA CHECKED BY CHIKDKASAKAWA APPROVED BY NUKITA	GENERAL TOLERANCES (UNLESS SPECIFIED)		DIMENSION STYLE MM ONLY		SCALE 8:1	DESIGN UNITS METRIC	THIRD ANGLE PROJECTION
	10 UNDER	± 0.20	DRAWN BY TYAJIMA01	DATE 2013/09/19	TITLE 150MM PITCH, W-T-B HEADER, VERTICAL, SMT		
	10 OVER 30 UNDER	± 0.20	CHECKED BY KASAKAWA	DATE 2013/09/20	APPROVED BY NUKITA		
	30 OVER	± 0.20	APPROVED BY NUKITA	DATE 2013/09/25	MATERIAL NO. SEE TABLE		
ANGULAR $\pm 3^\circ$		DRAFT WHERE APPLICABLE MUST REMAIN WITHIN DIMENSIONS		DOCUMENT NO. SD-87437-001		SHEET NO. 3 OF 4	
THIS DRAWING CONTAINS INFORMATION THAT IS PROPRIETARY TO MOLEX INCORPORATED AND SHOULD NOT BE USED WITHOUT WRITTEN PERMISSION							

9 8 7 6 5 4 3 2 1

10 9 8 7 6 5 4 3 2 1

EMBOSSED CARRIER TAPE PACKING DETAILS FOR PARTS WITH CAP



15	44	20.20±0.15	100	44.40	50.40	2.00±0.15
11, 12, 13, 14	32	14.20±0.10	100	32.40	38.40	2.00±0.10
7, 8, 9, 10	24	11.50±0.10	100	24.40	30.40	2.00±0.10
2, 3, 4, 5, 6	16	7.50±0.10	100	16.40	22.40	2.00±0.10

REVISED EC NO. J2014-0799 TIDRANRORI 2013/11/06 CHIKO KASAKAWA 2013/11/07 APPROX. NUKITA 2013/11/08 DESCRIPTION REV	GENERAL TOLERANCES (UNLESS SPECIFIED)		DIMENSION STYLE MM ONLY		SCALE 8:1	DESIGN UNITS METRIC	THIRD ANGLE PROJECTION
	10 UNDER	± 0.20	DRAWN BY TYAJIMA01	DATE 2013/09/19	TITLE 1.50MM PITCH, W-T-B HEADER, VERTICAL, SMT		
	10 OVER 30 UNDER	± 0.20	CHECKED BY KASAKAWA	DATE 2013/09/20	APPROVED BY NUKITA		
	30 OVER	± 0.20	DATE 2013/09/25	MATERIAL NO. SEE TABLE			
ANGULAR ±3°		DRAFT WHERE APPLICABLE MUST REMAIN WITHIN DIMENSIONS		DOCUMENT NO. SD-87437-001		SHEET NO. 4 OF 4	
SIZE A3 THIS DRAWING CONTAINS INFORMATION THAT IS PROPRIETARY TO MOLEX INCORPORATED AND SHOULD NOT BE USED WITHOUT WRITTEN PERMISSION							

9 8 7 6 5 4 3 2 1