

Excellent Integrated System Limited

Stocking Distributor

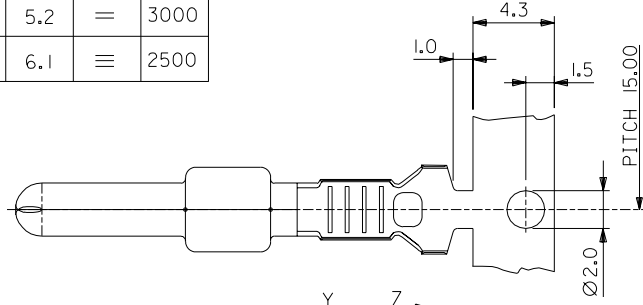
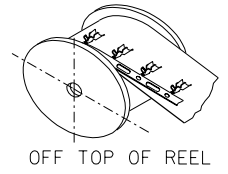
Click to view price, real time Inventory, Delivery & Lifecycle Information:

[Molex Connector Corporation](#)
[0980140300](#)

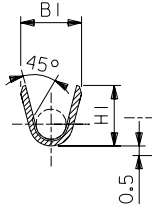
For any questions, you can email us directly:

sales@integrated-circuit.com

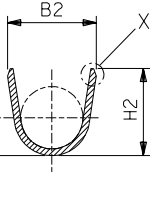
PART NO.	WIRE SQ mm ²	INS. Ø mm	B1	H1	B2	H2	M	PARTS PER REEL
			±0.2					
98014-0100	0.5-1.0	1.4-3.3	3.2	3.2	4.7	4.6	—	3000
98014-0200	1.5-2.5	2.1-4.2	4.1	3.8	5.7	5.2	=	3000
98014-0300	2.5-4.0	2.6-4.9	4.4	4.5	6.7	6.1	≡	2500



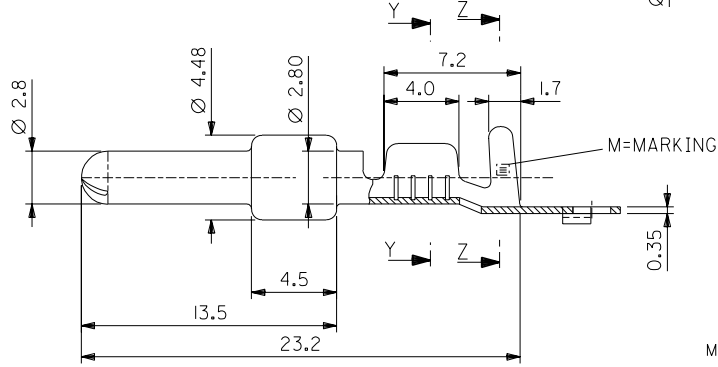
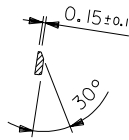
SECTION Y-Y
SCHNITT Y-Y



SECTION Z-Z
SCHNITT Z-Z



DETAIL X
EINZELHEIT X



MATERIAL: PRE TIN BRASS
MESSING VERZINNT

FOR PREVIOUS
DRAWING ISSUES
SEE "EDIS"

ECN: MWG 1281 17.02.94 H. DIETZ	REVISIONS	THIRD ANGLE PROJECTION		REVISE ONLY ON CAD SYSTEM		SH. REV.
		UNLESS OTHERWISE SPECIFIED TOLERANCES: ANGULAR: °		DRWG BY LA	CAD/CAM FILE NAME SD98014 DGN	THIS DRAWING CONTAINS INFORMATION THAT IS PROPRIETARY TO MOLEX INC. & SHOULD NOT BE USED WITHOUT WRITTEN PERMISSION
D	LTR	INCH (METRIC)		TITLE MALE TERMINAL 2.8mm		
		3 PLACE ±	±	CHK'D BY SCH	APPROVED BY APO	
		2 PLACE ±	± 0.15	SHEET NO. DATE 1 / 1 14 / 04 / 92		
		1 PLACE ±	± 0.30	PART NO. DWG NO. SEE TABLE SD-98014		
		DRAFT WHERE APPLICABLE MUST REMAIN WITHIN DIMENSIONS		SCALE 5:1		
		DESIGN DIMENSION (MM) (PRIMARY) □ IN.		SIZE B		
		EQUIVALENT DIMENSION (MM) (SECONDARY) □ IN.				