

Excellent Integrated System Limited

Stocking Distributor

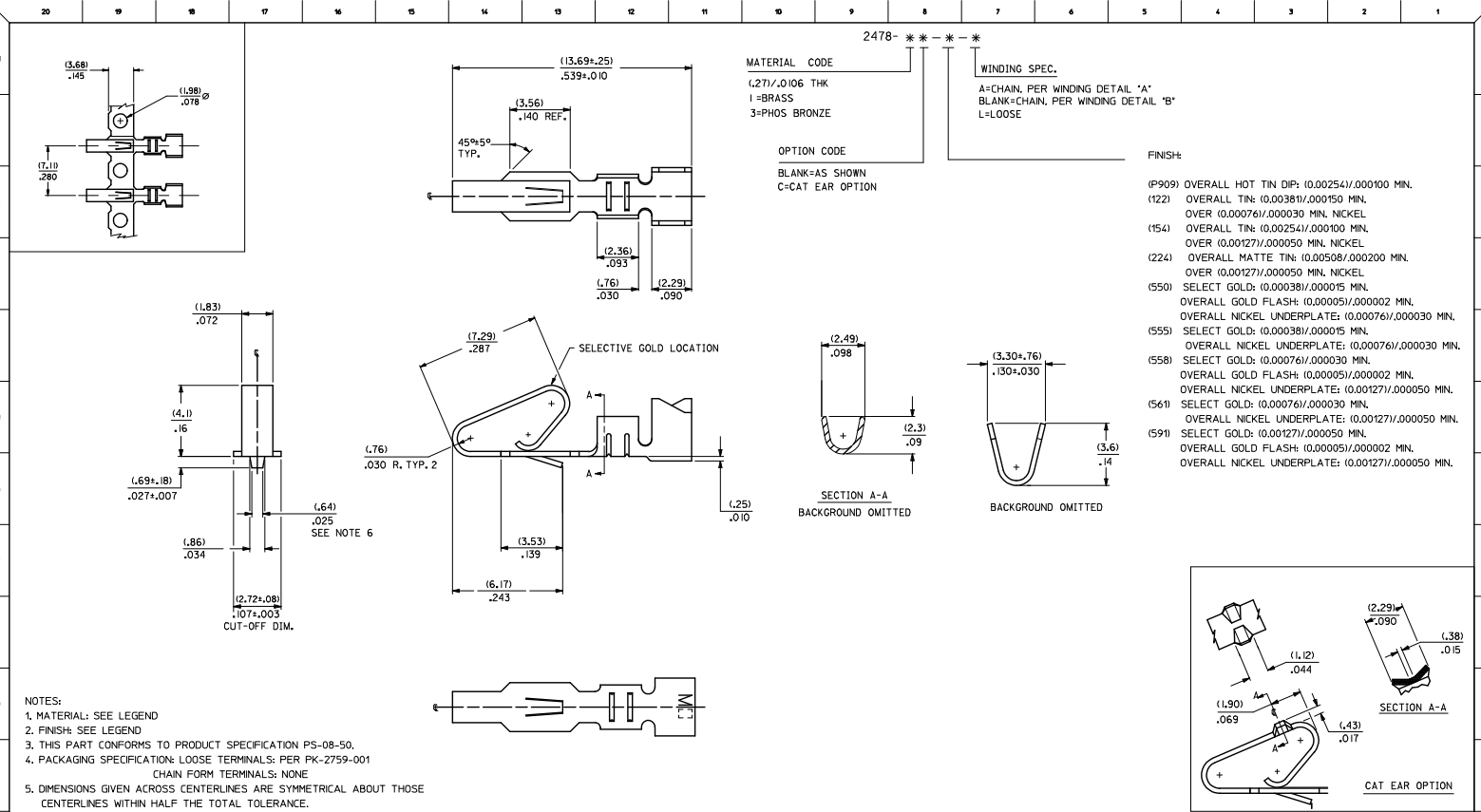
Click to view price, real time Inventory, Delivery & Lifecycle Information:

[Molex Connector Corporation](#)

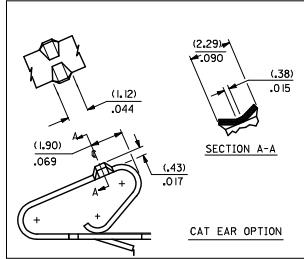
[0008550104](#)

For any questions, you can email us directly:

sales@integrated-circuit.com



- NOTES:**
1. MATERIAL: SEE LEGEND
 2. FINISH: SEE LEGEND
 3. THIS PART CONFORMS TO PRODUCT SPECIFICATION PS-08-50.
 4. PACKAGING SPECIFICATION: LOOSE TERMINALS: PER PK-2759-001
CHAIN FORM TERMINALS: NONE
 5. DIMENSIONS GIVEN ACROSS CENTERLINES ARE SYMMETRICAL ABOUT THOSE CENTERLINES WITHIN HALF THE TOTAL TOLERANCE.
 6. (0.86 ±0.05)/.034 ±0.02 IS AN OPTIONAL DESIGN.
 7. CRIMP ACCEPTS 18 TO 24 AWG WIRE WITH (2.79)/.110 MAX. INSULATION DIAMETER. AND CAN ACCEPT (3.00)/.118 MAX. INSULATION DIAMETER WITH SPECIAL TOOLING.
 8. TERMINAL FOR USE IN 2139, 3001, 3069, AND 91813 SERIES HOUSINGS WITH (2.54)/.100 MAX. INSULATION DIAMETER, 2574, 6422, AND 5239 SERIES HOUSINGS WITH (2.79)/.110 MAX. INSULATION DIAMETER, AND 41695 SERIES HOUSING WITH (3.00)/.118 MAX. INSULATION DIAMETER.
 9. THIS PART CONFORMS TO CLASS B REQUIREMENTS OF COSMETIC SPECIFICATION PS-45499-002.



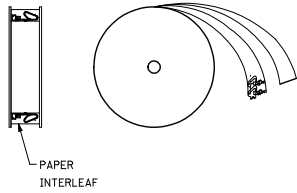
QUALITY SYMBOLS	GENERAL TOLERANCES (UNLESS SPECIFIED)		DIMENSION STYLE		SCALE		DESIGN UNITS		THIRD ANGLE PROJECTION
	mm	INCH	MM/IN	10:1	MM	INCH			
∇=0	4 PLACES	±.010	SAMIEC	DATE	06/03/86	TITLE	CRIMP TERMINAL		
∇=0	3 PLACES	±.014	CHECKED BY	DATE	06/03/86		156 CENTERS		
∇=0	2 PLACES	±.014	APPROVED BY	DATE			18 TO 24 GA WIRE		
∇=0	1 PLACE	±.036	FSMITH	DATE	2012/03/20		molex		
∇=0	0 PLACE	±.036	MATERIAL NO.	SEE CHART		DOCUMENT NO.	SD-2478	SHEET NO.	1 OF 2

SEE CHART

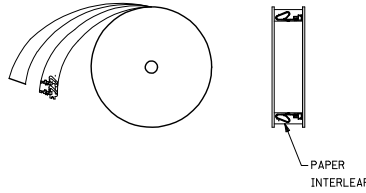
INCORPORATED AND SHOULD NOT BE USED WITHOUT WRITTEN PERMISSION

2478-1-(****)*		2478-3-(****)*		2478-1C-(****)*		2478-3C-(****)*	
PART NO.	ENG. NO.	PART NO.	ENG. NO.	PART NO.	ENG. NO.	PART NO.	ENG. NO.
08-50-0105	2478-1-(P909)	08-52-0071	2478-3-(P909)	08-50-0091	2478-1C-(154)	08-52-0044	2478-3C-(P909)
08-50-0106	2478-1-(P909)L	08-52-0072	2478-3-(P909)L	08-50-0093	2478-1C-(154)L	08-52-0045	2478-3C-(P909)L
08-56-0105	2478-1-(550)	08-65-0114	2478-3-(555)			08-52-0023	2478-3C-(154)
08-56-0106	2478-1-(550)L	08-65-0115	2478-3-(555)L			08-52-0024	2478-3C-(154)L
08-55-0103	2478-1-(555)	08-52-0811	2478-3-(154)				
08-55-0104	2478-1-(555)L	08-52-0812	2478-3-(154)L				
08-50-0119	2478-1-(122)	08-50-0281	2478-3-(122)				
08-50-0120	2478-1-(122)L		2478-3-(122)L				
08-50-0271	2478-1-(P909)A	08-58-0121	2478-3-(550)				
08-50-0015	2478-1-(154)	08-58-0122	2478-3-(550)L				
08-50-0016	2478-1-(154)L	08-58-0103	2478-3-(591)				
08-50-0063	2478-1-(224)	08-58-0104	2478-3-(591)L				
08-50-0064	2478-1-(224)L	08-58-0114	2478-3-(558)				
08-55-0133	2478-1-(561)	08-58-0115	2478-3-(558)L				
08-55-0134	2478-1-(561)L						

WINDING DETAIL 'A'



WINDING DETAIL 'B'



SEE SHEET 1 EC NO. 00704-431 DRAWN/INSPER 2016/01/07 CHECKED/INSPER 2016/01/07 APPROVED/INSPER 2016/01/07 DATE	QUALITY SYMBOLS	GENERAL TOLERANCES (UNLESS SPECIFIED)	DRAGON STYLE	SCALE	DESIGN UNITS	THIRD ANGLE PROJECTION
	∇=0	4 PLACES ±--- ±---	MM/IN	---	INCH	
	∇=0	3 PLACES ±--- ±.010	DRAWN BY	DATE	TITLE	
	∇=0	2 PLACES ±0.25 ±.014	SAMIEC	06/03/86	CRIMP TERMINAL	
	1 PLACE ±0.36 ±---	CHECKED BY	DATE	156 CENTERS		
	0 PLACE ±--- ±---	PATEL	06/03/86	18 TO 24 GA WIRE		
	ANGULAR ±1/2°	APPROVED BY	DATE	molex		
	DRAFT WHERE APPLICABLE MUST REMAIN WITHIN DIMENSIONS	FSMITH	2012/03/20	DOCUMENT NO.	SD-2478	SHEET NO. 2 OF 2
		SEE CHART		THIS DRAWING CONTAINS INFORMATION THAT IS PROPRIETARY TO MOLEX INCORPORATED AND SHOULD NOT BE USED WITHOUT WRITTEN PERMISSION		