

## Excellent Integrated System Limited

Stocking Distributor

Click to view price, real time Inventory, Delivery & Lifecycle Information:

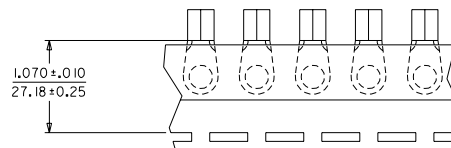
[Molex Connector Corporation](#)  
[0191930200](#)

For any questions, you can email us directly:

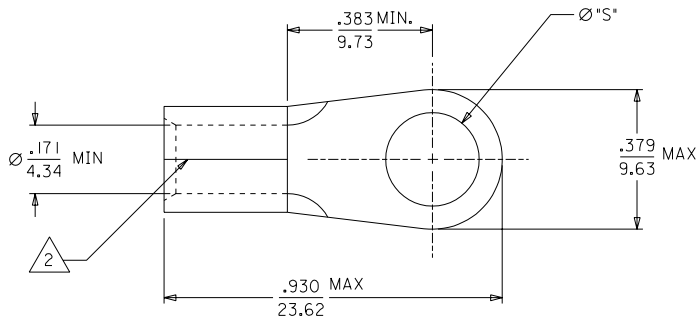
[sales@integrated-circuit.com](mailto:sales@integrated-circuit.com)



MATERIAL NUMBER	ENGINEERING NUMBER	STUD SIZE	"S"	PACKAGING
			±.0037(0.08)	
191930198	D-356-06	6	.146/(3.71)	LOOSE PIECE
191930200	D-356-08	8	.173/(4.39)	
191930202	D-356-10	10	.198/(5.03)	
191930204	D-356-14	14	.265/(6.73)	
191930199	D-356-06T	6	.146/(3.71)	TAPE
191930201	D-356-08T	8	.173/(4.39)	
191930203	D-356-10T	10	.198/(5.03)	
191930205	D-356-14T	14	.265/(6.73)	



TAPE MOUNTING LOCATION



SALES DRAWING

NOTES:

- 1. MATERIAL: COPPER  
PLATING: ELECTRO-TIN.
- 2. BRAZED SEAM.

I WAS SD-19069-012 EC NO. ETC2003-0333 DRAWN BY: BRE CHK: HEB APPR: RWD REV DESCRIPTION	QUALITY SYMBOLS MAJOR = 0 CRITICAL = 0 MINOR = 0	GENERAL TOLERANCES: (UNLESS SPECIFIED) mm INCH 4 PLACES ±0. ± 3 PLACES ±0. ±. 2 PLACES ±0. ±. 1 PLACE ±0. ±. ANGULAR: ± 1/2 °	SCALE 4:1 DESIGN UNITS <input type="checkbox"/> mm <input checked="" type="checkbox"/> INCH DRAWN BY & DATE BRE 03/06/18 CHECKED BY & DATE HEB 03/06/18 APPROVED BY & DATE RWD 03/06/18 CAD FILENAME SD-19193-012 .S01	THIRD ANGLE PROJECTION TITLE: RING TONGUE TERMINAL VERSAKRIMP 8 AWG MOLEX INCORPORATED SEE CHART	DIMENSIONS: <input type="checkbox"/> mm <input checked="" type="checkbox"/> INCH <input type="checkbox"/> mm ONLY <input type="checkbox"/> mm ONLY	SHT REV REVISE ON CAD ONLY
	DRAFT WHERE APPLICABLE MUST REMAIN WITHIN DIMENSIONS THIS DRAWING CONTAINS INFORMATION THAT IS PROPRIETARY TO MOLEX INCORPORATED AND SHOULD NOT BE USED WITHOUT WRITTEN PERMISSION.	MATERIAL NO. SD-19193-012	DRAWING NO. SD-19193-012	SHEET NO. 1 OF 1 SIZE B		