

Excellent Integrated System Limited

Stocking Distributor

Click to view price, real time Inventory, Delivery & Lifecycle Information:

[Molex Connector Corporation](#)
[0192030113](#)

For any questions, you can email us directly:

sales@integrated-circuit.com



FILE NO. C-CD-101-04

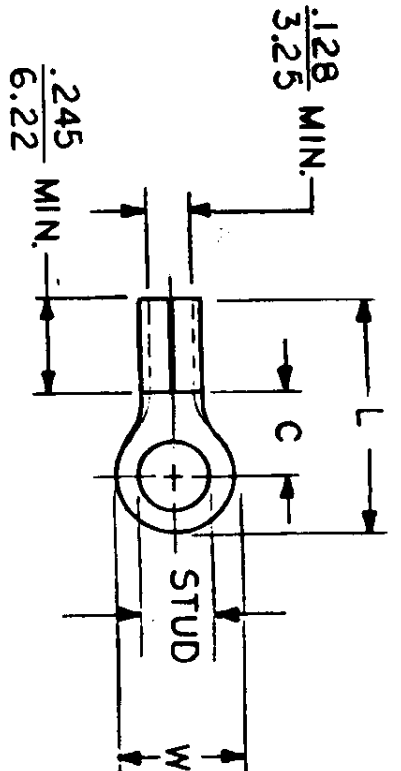
NOTES:

- ① MAT'L: PURE NICKEL
- PLATING: NONE

STUD SIZES: (.005)

- 02 = .094 209 = .209
- 04 = .119 413 = .413
- 06 = .146
- 08 = .173
- 10 = .198
- 14 = .265
- 56 = .328
- 38 = .390

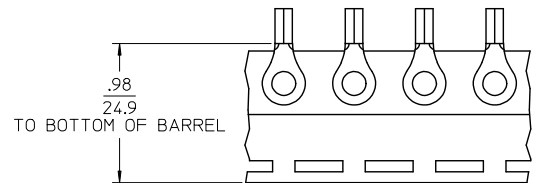
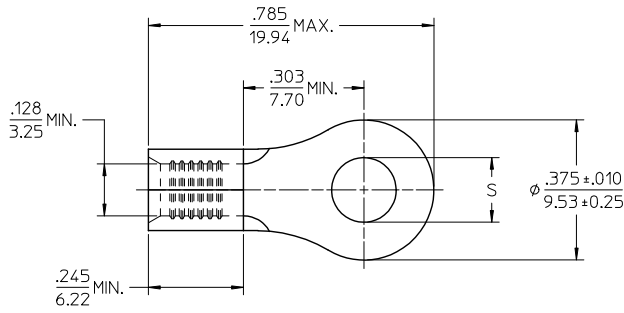
ALL DIMENSIONS = $\frac{\text{INCHES}}{\text{MM}}$



WIRE SIZE: 12-10 AWG
 40-6.0 MM²

PART NUMBER	"W" ±.010	"C" MIN.	"L" MAX.	AVAILABLE STUD SIZES	TITLE: TEMP. TERM (1200°)	
					SCALE:	DATE
02	$\frac{.750}{19.05}$	$\frac{.611}{15.52}$	$\frac{1.280}{32.51}$	14, 56, 38, 76, 12	NTS	2.3.87
C-U-128-	$\frac{.375}{9.53}$	$\frac{.303}{7.70}$	$\frac{.785}{19.94}$	04, 06, 08, 10, 209	SCALE:	
C-U-130-	$\frac{.530}{13.46}$	$\frac{.393}{9.98}$	$\frac{.952}{24.18}$	10, 14, 56, 38	NTS	
04	$\frac{.282}{7.16}$	$\frac{.306}{7.77}$	$\frac{.741}{18.82}$	04, 06, 08	SCALE:	
06	$\frac{.592}{15.04}$	$\frac{.468}{11.89}$	$\frac{1.056}{26.82}$	10, 14, 56, 38, 209, 413	NTS	
C-U-140-					SCALE:	
DIMENSIONAL TOLERANCES UNLESS OTHERWISE SPECIFIED		REFERENCE	SCALE:	NTS	DATE	
FRAC. DEC. ANG.		DRAWN. BY: EMMF	CHKD. BY:			
± ± ±		APPRD. BY:				
				TERMINAL RING TONGUE	TITLE: TEMP. TERM (1200°)	
				KRIMP TITE	TITLE: TEMP. TERM (1200°)	
				100-SERIES	TITLE: TEMP. TERM (1200°)	
DWG. NO. A		CUSTOMER DWG.				

10	9	8	7	6	5	4	3	2	1
MATERIAL NO. LOOSE PIECE	ENG. NO.	MATERIAL NO. TAPE MOUNTED	ENG. NO.	STUD SIZE	"S" ±.005/0.13	STOCK THICKNESS	FINISH		
190690200	C-128-04	190690147	C-128-04T	4	.119/(3.02)	.040/(1.02)	SEE NOTE 2		
190690202	C-128-06	190690148	C-128-06T	6	.146/(3.71)				
190690205	C-128-08	190690208	C-128-08T	8	.173/(4.39)				
190690209	C-128-10	190690212	C-128-10T	10	.198/(5.03)				
190690215	C-128-209	---	---	209	.209/(5.18)				
192030159	C-U-128-06	192030111	C-U-128-06T	6	.146/(3.71)	.038/(0.97)	SEE NOTE 3		
192030160	C-U-128-08	192030112	C-U-128-08T	8	.173/(4.39)				
192030113	C-U-128-10	192030114	C-U-128-10T	10	.198/(5.03)				
190690682	C-128-10-AU	---	---	10	.198/(5.03)	.040/(1.02)	SEE NOTE 3		



SALES DRAWING

NOTES:

1. MATERIAL: COPPER.
2. FINISH: TIN PLATING, 100(2.5)µin(µm) MIN
3. FINISH: GOLD, 50(1.25)µin(µm) MIN. OVER NICKEL, 50(1.25)µin(µm) MIN. PLATING.
4. WIRE SIZE: 12-10 AWG, 4.0-6.0 MM²
5. PARTS ARE ROHS COMPLIANT.

RELEASED EC NO: IPG2015-0823 DRAWN BY: JASO1 2014/10/30 CHKD: JMACNEIL 2014/10/30 APPR: JMACNEIL 2014/11/19 REV: A	QUALITY SYMBOLS ▽=0 ▽=0 DESCRIPTION	GENERAL TOLERANCES (UNLESS SPECIFIED)		DIMENSION STYLE IN/MM		SCALE ---	DESIGN UNITS INCH	THIRD ANGLE PROJECTION	
		4 PLACES ±--- ±---	3 PLACES ±--- ±---	2 PLACES ±--- ±---	1 PLACE ±--- ±---	DRAWN BY: BDEROSS DATE: 2000/6/13	TITLE: RING TONGUE TERMINAL KRIMPTITE, 128 SERIES 12-10 AWG		
		ANGULAR ±---°				CHECKED BY: JMACNEIL DATE: 2014/10/30	APPROVED BY: JMACNEIL DATE: 2014/11/19		
		DRAFT WHERE APPLICABLE MUST REMAIN WITHIN DIMENSIONS				MATERIAL NO. SEE CHART	DOCUMENT NO. SD-19069-020		SHEET NO. 1 OF 1