

Excellent Integrated System Limited

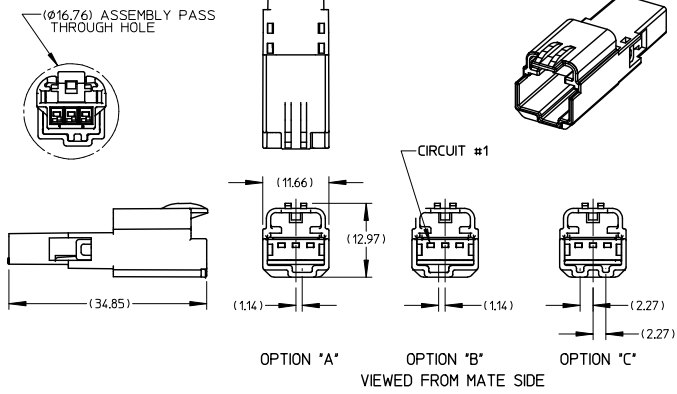
Stocking Distributor

Click to view price, real time Inventory, Delivery & Lifecycle Information:

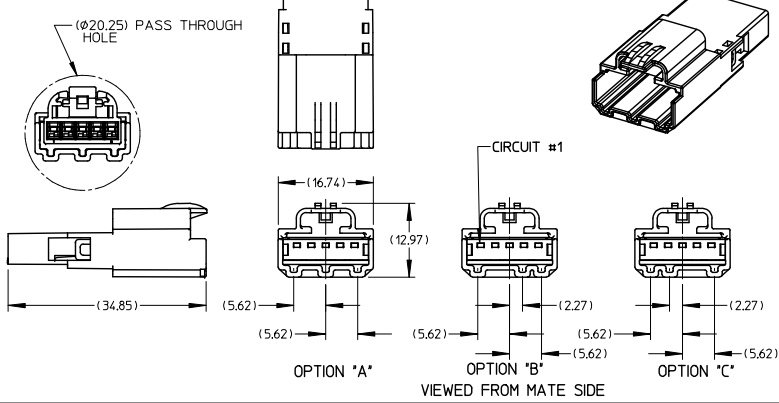
[Molex Connector Corporation](#)
[0310671040](#)

For any questions, you can email us directly:
sales@integrated-circuit.com

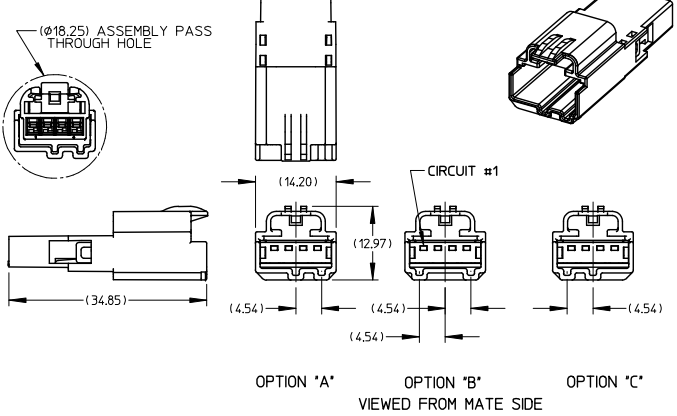
3 WAY MALE HOUSING ASSEMBLY WITHOUT XMAS TREE (VIEWED FROM MATE SIDE)



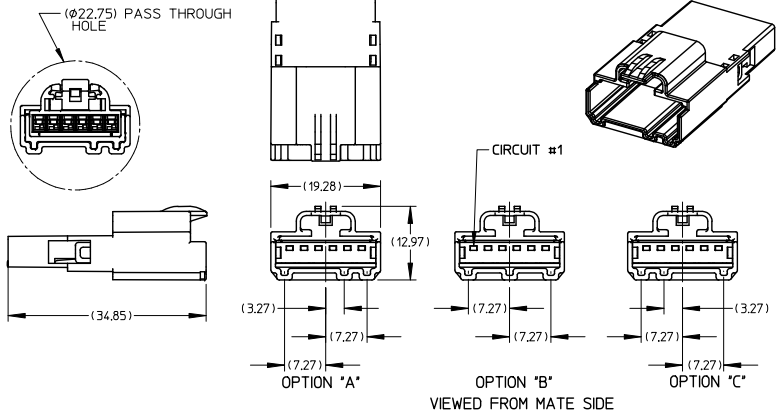
5 WAY MALE HOUSING ASSEMBLY WITHOUT XMAS TREE (VIEWED FROM MATE SIDE)



4 WAY MALE HOUSING ASSEMBLY WITHOUT XMAS TREE (VIEWED FROM MATE SIDE)



6 WAY MALE HOUSING ASSEMBLY WITHOUT XMAS TREE (VIEWED FROM MATE SIDE)



- NOTES:
1. MATERIAL: HOUSING: SPS GLASS FILLED, COLOR SEE CHART. TPA: PBT.
 2. PRODUCT SPECIFICATION: PS-31067-0001.
 3. PACKAGING SPECIFICATION: DRAWING PK-31301-067.
 4. MATES WITH: SEE SALES DRAWINGS SD-31109-003.

EC NO: HAU/2009-1155
 DRW: THERFUR/09/05/12
 CHK: TANGEL/09/05/14
 APPR: MKNACK/2009/05/14

QUALITY SYMBOLS	GENERAL TOLERANCES (UNLESS SPECIFIED)	
	mm	INCH
▽-0	4 PLACES ±---	±---
	3 PLACES ±---	±---
	2 PLACES ±0.13	±---
	1 PLACE ±0.25	±---
	ANGULAR ± 1/2°	

DRAFT WHERE APPLICABLE MUST REMAIN WITHIN DIMENSIONS

SCALE	DESIGN UNITS
2:1	METRIC

DIMENSION STYLE: MM ONLY

DRAWN BY: DEMEO DATE: 01/04/04

CHECKED BY: DATE:

APPROVED BY: DATE:

THIRD ANGLE PROJECTION

REVISE ON CAD ONLY

MALE ASSEMBLY CHARTED SALES DRAWING

MOLEX INCORPORATED

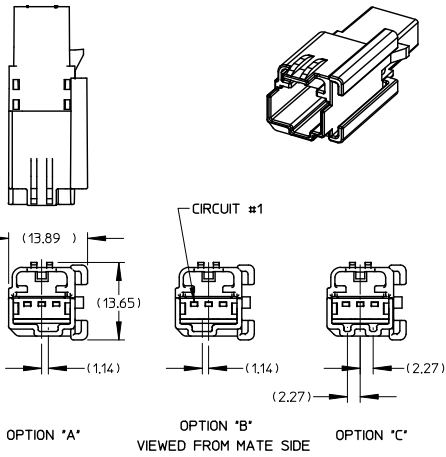
MATERIAL NO. SEE CHART

DOCUMENT NO. SD-31110-003

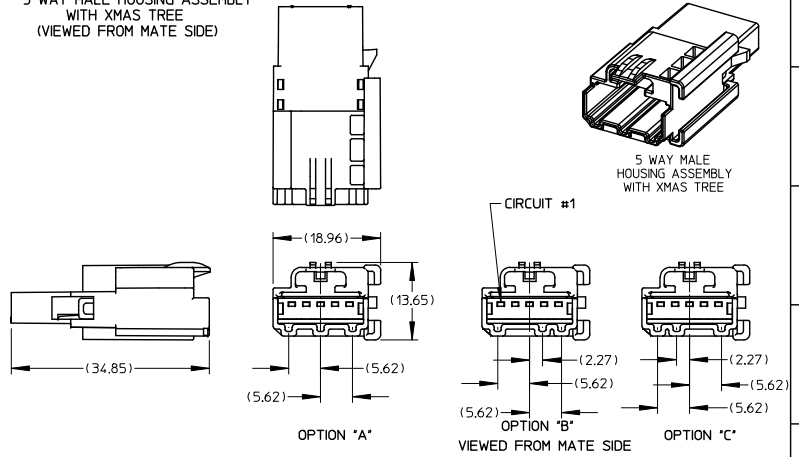
SHEET NO. 1 OF 3

THIS DRAWING CONTAINS INFORMATION THAT IS PROPRIETARY TO MOLEX INCORPORATED AND SHOULD NOT BE USED WITHOUT WRITTEN PERMISSION

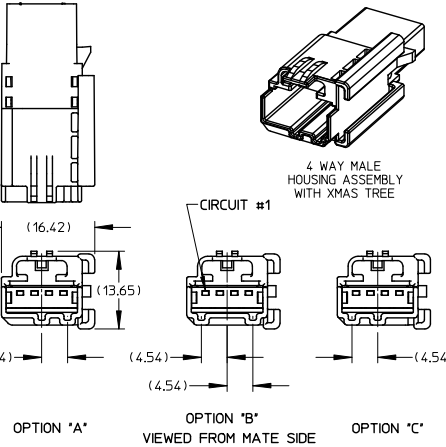
3 WAY MALE HOUSING ASSEMBLY WITH XMAS TREE (VIEWED FROM MATE SIDE)



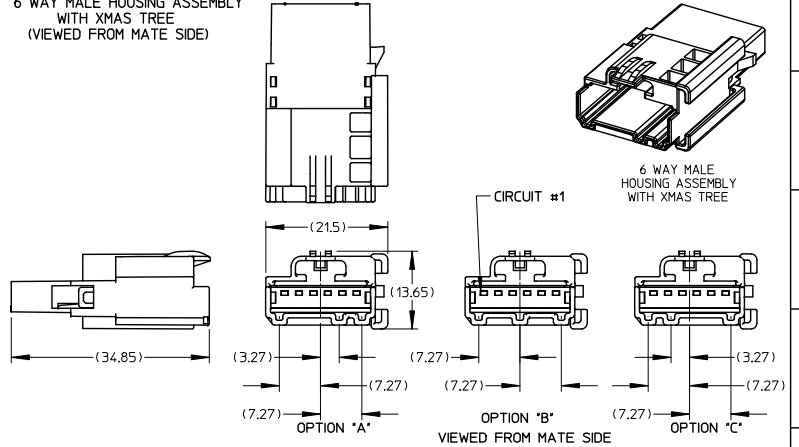
5 WAY MALE HOUSING ASSEMBLY WITH XMAS TREE (VIEWED FROM MATE SIDE)



4 WAY MALE HOUSING ASSEMBLY WITH XMAS TREE (VIEWED FROM MATE SIDE)



6 WAY MALE HOUSING ASSEMBLY WITH XMAS TREE (VIEWED FROM MATE SIDE)



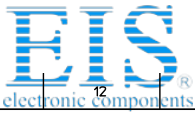
EC NO: UAU2009-1155
DRAWN: THEREFURT009/05/12
CHKD: TSMITH 2009/05/14
APPR: TANGELLO009/05/14

QUALITY SYMBOLS	DESCRIPTION
▽-0	
▽-0	

GENERAL TOLERANCES (UNLESS SPECIFIED)	
	INCH
4 PLACES	±.005
3 PLACES	±.004
2 PLACES	±0.13
1 PLACE	±0.25
ANGULAR ±1/2°	

SCALE	DESIGN UNITS
2:1	METRIC
DIMENSION STYLE: MM ONLY	
DRAWN BY: DEMEO	DATE: 01/04/04
CHECKED BY:	DATE:
APPROVED BY:	DATE:

THIRD ANGLE PROJECTION	REVISE ON CAD ONLY
TITLE: MALE ASSEMBLY CHARTED SALES DRAWING	
MOLEX MOLEX INCORPORATED	
MATERIAL NO. ENTER-PART	DOCUMENT NO. SD-31110-003
SHEET NO. 2 OF 3	



Distributor of Molex Connector Corporation: Excellent Integrated System Limited

Datasheet of 0310671040 - CONN MALE HOUSING 3POS SINGLE

Contact us: sales@integrated-circuit.com Website: www.integrated-circuit.com

13 12 11 10 9 8 7 6 5 4 3 2 31110

BILL OF MATERIALS

BILL OF MATERIALS

ASSEMBLY PART NUMBER	DESCRIPTION	XMAS TREE ATTACHMENT FEATURE	PART NUMBER	DESCRIPTION	COLOR
31067-1040	3 WAY MALE ASSEMBLY POLARIZATION 'A'	NO	31112-0030	MALE HOUSING	BLACK
			31114-0030	TPA	NATURAL (WHITE)
31067-1041	3 WAY MALE ASSEMBLY POLARIZATION 'B'	NO	31112-0031	MALE HOUSING	GRAY
			31114-0030	TPA	NATURAL (WHITE)
31067-1042	3 WAY MALE ASSEMBLY POLARIZATION 'C'	NO	31112-0032	MALE HOUSING	BROWN
			31114-0030	TPA	NATURAL (WHITE)
31067-1070	3 WAY MALE ASSEMBLY POLARIZATION 'A'	YES	31112-1030	MALE HOUSING	BLACK
			31114-0030	TPA	NATURAL (WHITE)
31067-1071	3 WAY MALE ASSEMBLY POLARIZATION 'B'	YES	31112-1031	MALE HOUSING	GRAY
			31114-0030	TPA	NATURAL (WHITE)
31067-1072	3 WAY MALE ASSEMBLY POLARIZATION 'C'	YES	31112-1032	MALE HOUSING	BROWN
			31114-0030	TPA	NATURAL (WHITE)
31068-1040	4 WAY MALE ASSEMBLY POLARIZATION 'A'	NO	31166-0040	MALE HOUSING	BLACK
			31167-0040	TPA	NATURAL (WHITE)
31068-1041	4 WAY MALE ASSEMBLY POLARIZATION 'B'	NO	31166-0031	MALE HOUSING	GRAY
			31167-0040	TPA	NATURAL (WHITE)
31068-1042	4 WAY MALE ASSEMBLY POLARIZATION 'C'	NO	31166-0032	MALE HOUSING	BROWN
			31167-0040	TPA	NATURAL (WHITE)
31068-1070	4 WAY MALE ASSEMBLY POLARIZATION 'A'	YES	31166-1040	MALE HOUSING	BLACK
			31167-0040	TPA	NATURAL (WHITE)
31068-1071	4 WAY MALE ASSEMBLY POLARIZATION 'B'	YES	31166-1041	MALE HOUSING	GRAY
			31167-0040	TPA	NATURAL (WHITE)
31068-1072	4 WAY MALE ASSEMBLY POLARIZATION 'C'	YES	31166-1042	MALE HOUSING	BROWN
			31167-0040	TPA	NATURAL (WHITE)

ASSEMBLY PART NUMBER	DESCRIPTION	XMAS TREE ATTACHMENT FEATURE	PART NUMBER	DESCRIPTION	COLOR
31072-1040	5 WAY MALE ASSEMBLY POLARIZATION 'A'	NO	31169-0050	MALE HOUSING	BLACK
			31170-0050	TPA	NATURAL (WHITE)
31072-1041	5 WAY MALE ASSEMBLY POLARIZATION 'B'	NO	31169-0051	MALE HOUSING	GRAY
			31170-0050	TPA	NATURAL (WHITE)
31072-1042	5 WAY MALE ASSEMBLY POLARIZATION 'C'	NO	31169-0052	MALE HOUSING	BROWN
			31170-0050	TPA	NATURAL (WHITE)
31072-1070	5 WAY MALE ASSEMBLY POLARIZATION 'A'	YES	31169-1050	MALE HOUSING	BLACK
			31170-0050	TPA	NATURAL (WHITE)
31072-1071	5 WAY MALE ASSEMBLY POLARIZATION 'B'	YES	31169-1051	MALE HOUSING	GRAY
			31170-0050	TPA	NATURAL (WHITE)
31072-1072	5 WAY MALE ASSEMBLY POLARIZATION 'C'	YES	31169-1052	MALE HOUSING	BROWN
			31170-0050	TPA	NATURAL (WHITE)
31073-1040	6 WAY MALE ASSEMBLY POLARIZATION 'A'	NO	31172-0060	MALE HOUSING	BLACK
			31173-0060	TPA	NATURAL (WHITE)
31073-1041	6 WAY MALE ASSEMBLY POLARIZATION 'B'	NO	31172-0061	MALE HOUSING	GRAY
			31173-0060	TPA	NATURAL (WHITE)
31073-1042	6 WAY MALE ASSEMBLY POLARIZATION 'C'	NO	31172-0062	MALE HOUSING	BROWN
			31173-0060	TPA	NATURAL (WHITE)
31073-1070	6 WAY MALE ASSEMBLY POLARIZATION 'A'	YES	31172-1060	MALE HOUSING	BLACK
			31173-0060	TPA	NATURAL (WHITE)
31073-1071	6 WAY MALE ASSEMBLY POLARIZATION 'B'	YES	31172-1061	MALE HOUSING	GRAY
			31173-0060	TPA	NATURAL (WHITE)
31073-1072	6 WAY MALE ASSEMBLY POLARIZATION 'C'	YES	31172-1062	MALE HOUSING	BROWN
			31173-0060	TPA	NATURAL (WHITE)

EC NO: HAU2009-1155 DRW: THERFUR09/05/12 CHK: TANGEL009/05/14 APPR: MKNACK 2009/05/14 REV DESCRIPTION	QUALITY SYMBOLS	GENERAL TOLERANCES (UNLESS SPECIFIED)	SCALE 2:1 DESIGN UNITS METRIC	THIRD ANGLE PROJECTION	REVISE ON CAD ONLY
	▽-0	4 PLACES ± --- ± --- 3 PLACES ± --- ± --- 2 PLACES ± 0.13 ± --- 1 PLACE ± 0.25 ± ---	mm INCH	MM ONLY	MALE ASSEMBLY CHARTED SALES DRAWING
	▽-0	ANGULAR ± 1/2 °	DRAWN BY DEMEO DATE 01/04/04	CHECKED BY DATE	MOLEX INCORPORATED
	E1	DRAFT WHERE APPLICABLE MUST REMAIN WITHIN DIMENSIONS	APPROVED BY DATE	MATERIAL NO. SEE CHART	DOCUMENT NO. SD-31110-003

1b_frame_C rev. A 11/01/98 12 11 10 9 8 7 6 5 4 3 2 1