



Distributor of Molex Connector Corporation: Excellent Integrated System Limited
Datasheet of 0444751021 - Connector Receptacle 10 Position 0.165" (4.20mm) Tin Through Hole

Contact us: sales@integrated-circuit.com Website: www.integrated-circuit.com

Excellent Integrated System Limited

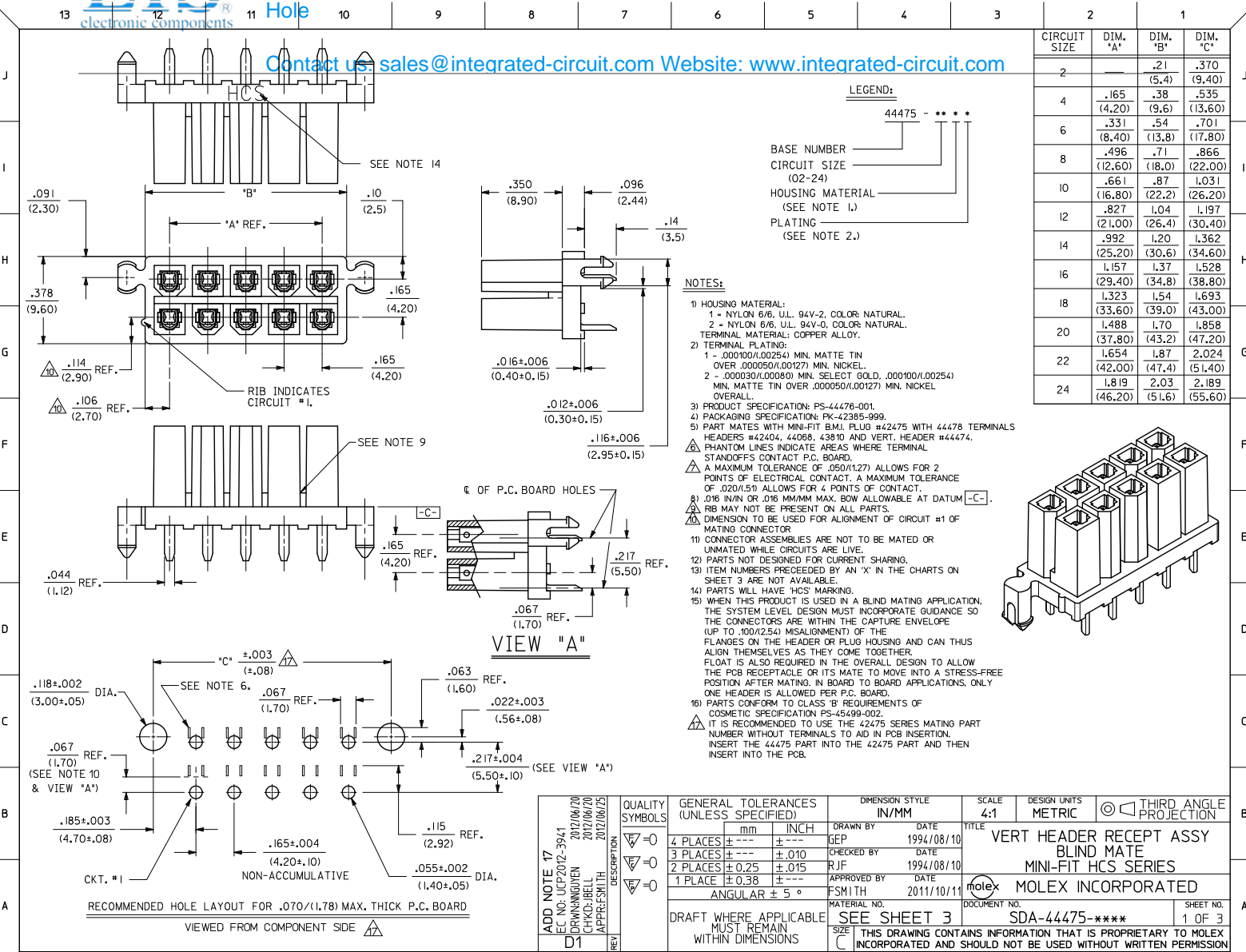
Stocking Distributor

Click to view price, real time Inventory, Delivery & Lifecycle Information:

[Molex Connector Corporation](#)
[0444751021](#)

For any questions, you can email us directly:
sales@integrated-circuit.com

Contact us: sales@integrated-circuit.com Website: www.integrated-circuit.com



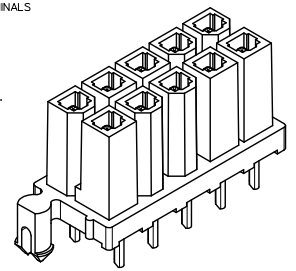
LEGEND:

- 44475 - ***
- BASE NUMBER
- CIRCUIT SIZE (02-24)
- HOUSING MATERIAL (SEE NOTE 1.)
- PLATING (SEE NOTE 2.)

NOTES:

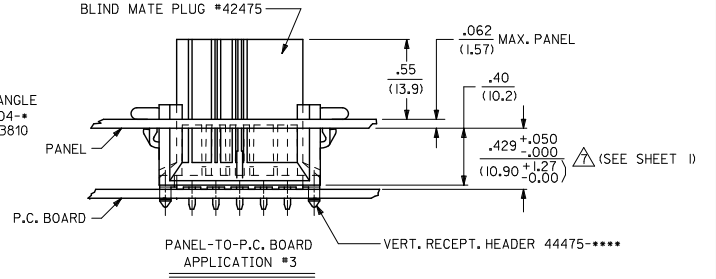
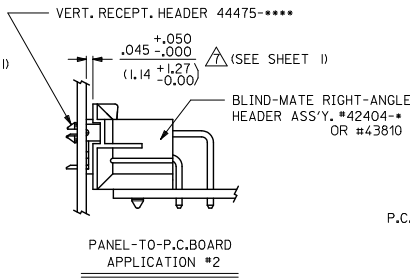
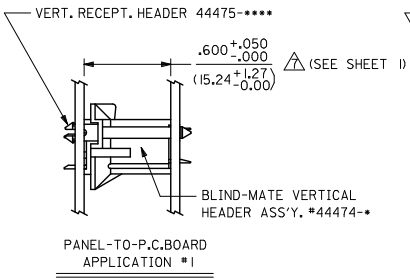
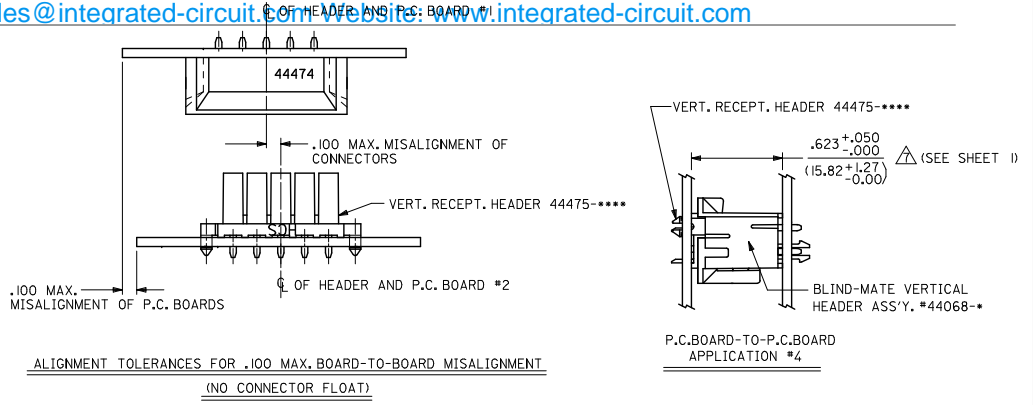
- 1) HOUSING MATERIAL:
 - 1 = NYLON 6/6, U.L. 94V-2, COLOR: NATURAL.
 - 2 = NYLON 6/6, U.L. 94V-0, COLOR: NATURAL.
- 2) TERMINAL MATERIAL: COPPER ALLOY.
- 3) TERMINAL PLATING:
 - 1 - .000100/(.00254) MIN. MATTE TIN OVER .00050/(.00127) MIN. NICKEL.
 - 2 - .000030/(.00080) MIN. SELECT GOLD, .000100/(.00254) MIN. MATTE TIN OVER .00050/(.00127) MIN. NICKEL OVERALL.
- 4) PRODUCT SPECIFICATION: PS-44476-001.
- 5) PACKAGING SPECIFICATION: PK-42385-999.
- 6) PART MATES WITH MINI-FIT B.M.I. PLUG #42475 WITH 44478 TERMINALS HEADERS #42404, #40068, #3810 AND VERT. HEADER #44474.
- 7) PHANTOM LINES INDICATE AREAS WHERE TERMINAL STANDOFFS CONTACT P.C. BOARD.
- 8) A MAXIMUM TOLERANCE OF .050/(1.27) ALLOWS FOR 2 POINTS OF ELECTRICAL CONTACT. A MAXIMUM TOLERANCE OF .020/(.51) ALLOWS FOR 4 POINTS OF CONTACT.
- 9) .016 IN/IN OR .016 MM/MM MAX. BOW ALLOWABLE AT DATUM [-C-].
- 10) RIB MAY NOT BE PRESENT ON ALL PARTS.
- 11) DIMENSION TO BE USED FOR ALIGNMENT OF CIRCUIT #1 OF MATING CONNECTOR.
- 12) CONNECTOR ASSEMBLIES ARE NOT TO BE MATED OR UNMATED WHILE CIRCUITS ARE LIVE.
- 13) PARTS NOT DESIGNED FOR CURRENT SHARING.
- 14) ITEM NUMBERS PRECEDED BY AN 'X' IN THE CHARTS ON SHEET 3 ARE NOT AVAILABLE.
- 15) PARTS WILL HAVE 'HCS' MARKING.
- 16) WHEN THIS PRODUCT IS USED IN A BLIND MATING APPLICATION, THE SYSTEM LEVEL DESIGN MUST INCORPORATE GUIDANCE SO THE CONNECTORS ARE WITHIN THE CAPTURE ENVELOPE (UP TO .100/(2.54) MISALIGNMENT) OF THE FLANGES ON THE HEADER OR PLUG HOUSING AND CAN THUS ALIGN THEMSELVES AS THEY COME TOGETHER. FLOAT IS ALSO REQUIRED IN THE OVERALL DESIGN TO ALLOW THE PCB RECEPTACLE OR ITS MATE TO MOVE INTO A STRESS-FREE POSITION AFTER MATING. IN BOARD TO BOARD APPLICATIONS, ONLY ONE HEADER IS ALLOWED PER P.C. BOARD.
- 17) PARTS CONFORM TO CLASS 'B' REQUIREMENTS OF COSMETIC SPECIFICATION PS-45499-002.
- 18) IT IS RECOMMENDED TO USE THE 42475 SERIES MATING PART NUMBER WITHOUT TERMINALS TO AID IN PCB INSERTION. INSERT THE 44475 PART INTO THE 42475 PART AND THEN INSERT INTO THE PCB.

CIRCUIT SIZE	DIM. 'A'	DIM. 'B'	DIM. 'C'
2	.165 (4,20)	.21 (5,4)	.370 (9,40)
4	.165 (4,20)	.38 (9,6)	.535 (13,60)
6	.331 (8,40)	.54 (13,8)	.701 (17,80)
8	.496 (12,60)	.71 (18,0)	.866 (22,00)
10	.661 (16,80)	.87 (22,2)	1.031 (26,20)
12	.827 (21,00)	1.04 (26,4)	1.197 (30,40)
14	.992 (25,20)	1.20 (30,6)	1.362 (34,60)
16	1.157 (29,40)	1.37 (34,8)	1.528 (38,80)
18	1.323 (33,60)	1.54 (39,0)	1.693 (43,00)
20	1.488 (37,80)	1.70 (43,2)	1.858 (47,20)
22	1.654 (42,00)	1.87 (47,4)	2.024 (51,40)
24	1.819 (46,20)	2.03 (51,6)	2.189 (55,60)



ADD NOTE 17 EC NO: UCP2012-3941 2012/06/20 DRAWING/INVEN CHKD: BELL 2012/06/20 APPR: SMITH 2012/06/25	QUALITY SYMBOLS ▽=0 ▽=0 ▽=0	GENERAL TOLERANCES (UNLESS SPECIFIED) mm INCH 4 PLACES ± .005 ± .002 3 PLACES ± .005 ± .010 2 PLACES ± 0.25 ± .015 1 PLACE ± 0.38 ± .020 ANGULAR ± 5°	DIMENSION STYLE IN/MM		SCALE 4:1	DESIGN UNITS METRIC	THIRD ANGLE PROJECTION
			DRAWN BY GEP	DATE 1994/08/10	CHECKED BY RJF	DATE 1994/08/10	APPROVED BY FSM1TH
D1	REV	DRAFT WHERE APPLICABLE MUST REMAIN WITHIN DIMENSIONS	MATERIAL NO. SEE SHEET 3	DOCUMENT NO. SDA-44475-****	SHEET NO. 1 OF 3	MOLEX INCORPORATED	

Contact us: sales@integrated-circuit.com Website: www.integrated-circuit.com



SEE NOTE 15

SEE SHEET 1 EC NO: UCP2072-3941 DRAWING NO: 2072/06/20 CHKD: BELL APPR: SMITH 2072/06/25	QUALITY SYMBOLS ∇=0 ∇=0 ∇=0	GENERAL TOLERANCES (UNLESS SPECIFIED)		DIMENSION STYLE IN/MM		SCALE 4:1	DESIGN UNITS METRIC	THIRD ANGLE PROJECTION		
		4 PLACES ± --- ± ---	3 PLACES ± --- ± .010	2 PLACES ± 0.25 ± .015	1 PLACE ± 0.38 ± ---	ANGULAR ± 5°	DRAWN BY GEP DATE 1994/08/10	CHECKED BY RJF DATE 1994/08/10	APPROVED BY FSMITH DATE 2011/10/11	TITLE VERT HEADER RECEPT ASSY BLIND MATE MINI-FIT HCS SERIES
		DRAFT WHERE APPLICABLE MUST REMAIN WITHIN DIMENSIONS		MATERIAL NO. SEE SHEET 3	DOCUMENT NO. SDA-44475-****	SHEET NO. 2 OF 3				
		THIS DRAWING CONTAINS INFORMATION THAT IS PROPRIETARY TO MOLEX INCORPORATED AND SHOULD NOT BE USED WITHOUT WRITTEN PERMISSION								



Distributor of Molex Connector Corporation: Excellent Integrated System Limited
 Datasheet of 0444751021 - Connector Receptacle 10 Position 0.165" (4.20mm) Tin Through Hole

Contact us: sales@integrated-circuit.com Website: www.integrated-circuit.com

	13	12	11	10	9	8	7	6	5	4	3	2	1
	ITEM NUMBER	CKT. SIZE	HSG. MATERIAL	PLATING (SEE NOTE 2)	ITEM NUMBER	CKT. SIZE	HSG. MATERIAL	PLATING (SEE NOTE 2)					
X	44475-0211	2	94V-2		X	44475-0222	2	94V-0	2				
	-0411	4			X	-0422	4						
	-0611	6			X	-0622	6						
X	-0811	8			X	-0822	8						
	-1011	10			X	-1022	10						
X	-1211	12			X	-1222	12						
	-1411	14			X	-1422	14						
X	-1611	16			X	-1622	16						
	-1811	18				-1822	18						
X	-2011	20			X	-2022	20						
X	-2211	22			X	-2222	22						
	44475-2411	24	94V-2	I	X	44475-2422	24	94V-0	2				

X	44475-0221	2	94V-0	I
	-0421	4		
	-0621	6		
X	-0821	8		
	-1021	10		
X	-1221	12		
	-1421	14		
	-1621	16		
	-1821	18		
X	-2021	20		
X	-2221	22		
	44475-2421	24	94V-0	I

ITEM. NO.	CKT. SIZE	HSG. MAT'L.	TERMINAL PLATING REQUIRED AT EACH CIRCUIT LOCATION:																							
			1	2	3	4	5	6	7	8	9	10	11	12	13	14	15	16	17	18	19	20	21	22	23	24
44475-3000	24	94V-0	1	1	-	1	-	1	-	1	-	1	1	1	1	1	1	1	1	1	1	1	1	1	1	1

ITEMS PRECEDED BY *X* ARE NOT AVAILABLE.

SEE SHEET 1 EC NO: UCP2072-3941 2017/06/20 DRAWING/EN CHKD: BELL 2017/06/20 APPROV: SMITH 2017/06/25 DESCRIPTION REV D1	QUALITY SYMBOLS	GENERAL TOLERANCES (UNLESS SPECIFIED)	DIMENSION STYLE	SCALE	DESIGN UNITS	THIRD ANGLE PROJECTION	
	$\nabla = 0$ $\nabla = 0$ $\nabla = 0$	4 PLACES ± --- ± --- 3 PLACES ± --- ± .010 2 PLACES ± 0.25 ± .015 1 PLACE ± 0.38 ± --- ANGULAR ± 5°	IN/MM DRAWN BY DATE GEP 1994/08/10 CHECKED BY DATE R/JF 1994/08/10 APPROVED BY DATE F/SMITH 2011/10/11	TITLE VERT HEADER RECEPT ASSY BLIND MATE MINI-FIT HCS SERIES MOLEX INCORPORATED	1:1	METRIC	
	DRAFT WHERE APPLICABLE MUST REMAIN WITHIN DIMENSIONS	SEE CHART SIZE C	MATERIAL NO. DOCUMENT NO. SDA-44475-****	SHEET NO. 3 OF 3			
	THIS DRAWING CONTAINS INFORMATION THAT IS PROPRIETARY TO MOLEX INCORPORATED AND SHOULD NOT BE USED WITHOUT WRITTEN PERMISSION						

	12	11	10	9	8	7	6	5	4	3	2	1
--	----	----	----	---	---	---	---	---	---	---	---	---