

## Excellent Integrated System Limited

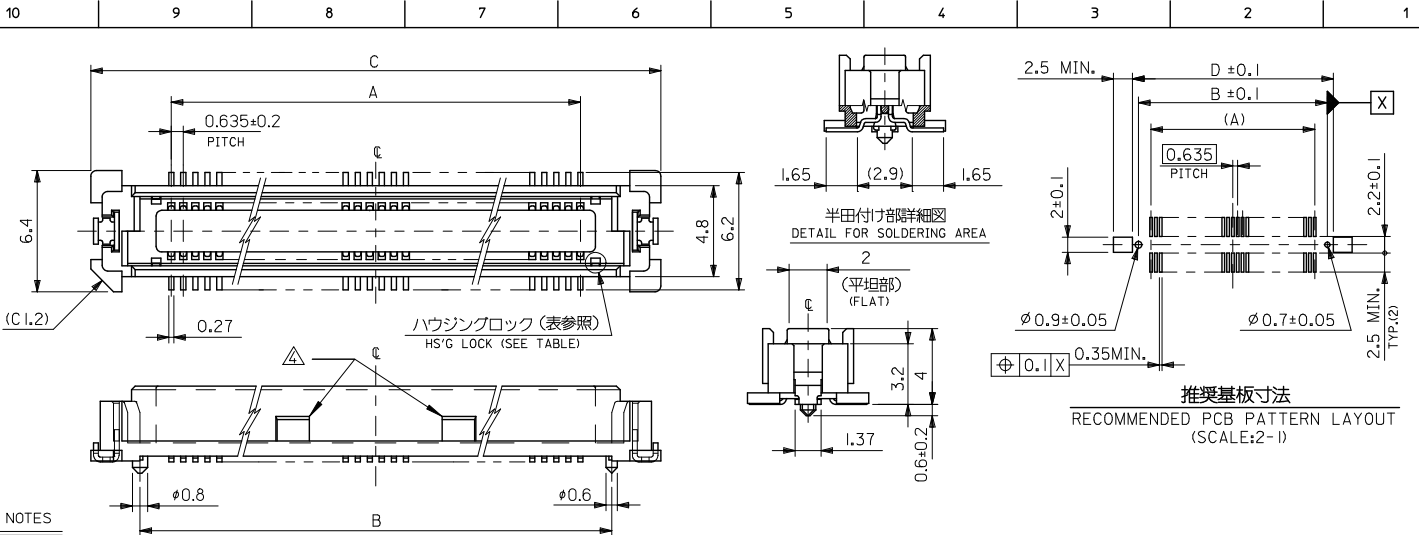
Stocking Distributor

Click to view price, real time Inventory, Delivery & Lifecycle Information:

[Molex Connector Corporation](#)  
[0527602079](#)

For any questions, you can email us directly:

[sales@integrated-circuit.com](mailto:sales@integrated-circuit.com)



注記 NOTES

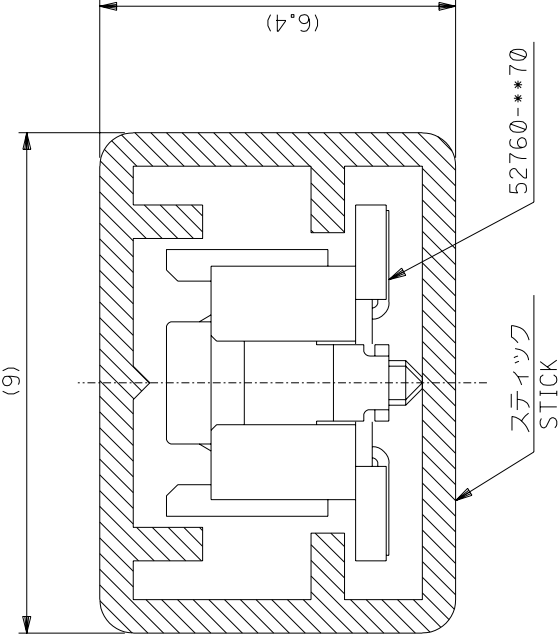
- 材質  
MATERIAL  
ハウジング: ガラス入り LCP、白色、UL94V-0  
HOUSING: G.F.LCP, WHITE, UL94V-0  
ターミナル: 銅合金 (t=0.2)  
TERMINAL: COPPER ALLOY  
ネイル: 銅合金 (t=0.25)  
NAIL: COPPER ALLOY
- メッキ仕様  
PLATING  
ターミナル: 接点部: 金メッキ 0.25 μm MIN.  
CONTACT AREA: GOLD 0.25 MICROMETER MIN.  
半田付け部: 錫メッキ 2.0 μm MIN.  
SOLDER TAIL AREA: TIN 2.0 MICROMETER MIN.  
下地メッキ: ニッケルメッキ 2.0 μm MIN.  
UNDER-PLATING: NICKEL 2.0 MICROMETER MIN.  
補強金具: 錫メッキ 1.0 μm MIN.  
FITTING NAIL: TIN 1.0 MICROMETER MINIMUM  
下地メッキ: ニッケルメッキ 1.0 μm MIN.  
UNDER-PLATING: NICKEL 1.0 MICROMETER MIN.

10 mm	53553 SERIES
9 mm	53552 SERIES
8 mm	53551 SERIES
7 mm	53481 SERIES
6 mm	53467 SERIES
5 mm	53475 SERIES
基板間寸法 STACKING HEIGHT	嵌合相手 TO BE MATED WITH

WITHOUT HSG LOCK	80.47	84.07	78.87	75.565	---	52760-2479	240
	67.77	71.37	66.17	62.865	---	52760-2079	200
	61.42	65.02	59.82	56.515	---	52760-1879	180
	55.07	58.67	53.47	50.165	---	52760-1679	160
	48.72	52.32	47.12	43.815	---	52760-1479	140
	42.37	45.97	40.77	37.465	---	52760-1279	120
WITH HSG LOCK	36.02	39.62	34.42	31.115	---	52760-1079	100
	32.85	36.45	31.25	27.94	---	52760-0979	90
	29.67	33.27	28.07	24.765	52760-0878	---	80
	23.32	26.92	21.72	18.415	52760-0678	52760-0679	60
	20.15	23.75	18.55	15.24	52760-0578	52760-0579	50
	13.80	17.40	12.20	8.89	52760-0378	52760-0379	30
10.62	14.22	9.02	5.715	---	52760-0279	20	
	D	C	B	A	EMBOSSED TAPE PACKAGE *** ORDER NO.	STICK PACKAGE *** ORDER NO.	極数 CIRCUITS

- 200極以下のテール平坦度は 0.1 MAX.、  
TAIL COPLANARITY TO BE 0.1 MAX.  
240極のテール平坦度は 0.12 MAX.とする。  
IN 240 CIRCUITS, TAIL COPLANARITY TO BE 0.12 MAX.
- △ 本製品は 2016 年 6 月 30日まで形状変更期間中となります。  
THIS PRODUCT IS DURING A FORM CHANGE PERIOD TILL JUNE 30, 2016.  
その為、図示形状が無い場合もございますが、製品機械性能上問題ございません。  
THEREFORE, THERE MAY NOT BE THE ILLUSTRATED SHAPE.  
HOWEVER, IT DOES NOT AFFECT ON CONNECTOR MECHANICAL PERFORMANCE.

REVISED EC NO. J2016-0873 DRAWN BY DR. WAKASAYAMA 2016/02/22 CHECKED BY CHIKIYAKELUCHI 2016/02/25 APPROVED BY APPR. MORIKAWA 2016/02/29	GENERAL TOLERANCES (UNLESS SPECIFIED)		DIMENSION STYLE MM ONLY		SCALE ---	DESIGN UNITS METRIC	CONNECTOR SERIES No. : 52760-***70
	0.25 UNDER	UNDER	±0.03	DRAWN BY Y. WADA	DATE '04/02/26	TITLE 0.635 PITCH B-TO-B S/T REC. HSG ASSY -LEAD FREE-	DOCUMENT NO. SD-52760-013
	0.25 OVER	0.5 UNDER	±0.05	CHECKED BY M. SASAO	DATE '04/02/26	SHEET NO. 1 OF 1	
	0.5 OVER	1.0 UNDER	±0.1	APPROVED BY M. SASAO	DATE '04/02/26		
	1.0 OVER	10 UNDER	±0.2	MATERIAL NO.	SEE CHART		
10 OVER	30 UNDER	±0.25	DRAFT WHERE APPLICABLE MUST REMAIN WITHIN DIMENSIONS		THIS DRAWING CONTAINS INFORMATION THAT IS PROPRIETARY TO MOLEX ELECTRONIC TECHNOLOGIES, LLC AND SHOULD NOT BE USED WITHOUT WRITTEN PERMISSION		
30 OVER		±0.3	SIZE A3				



注) NOTES.

1. スティック両端はキャップ止め。  
BOTH ENDS WITH CAPS.
2. 全長:  $6.00 \pm 2$   
TOTAL LENGTH
3. 肉厚:  $0.6 \pm 0.2$   
THICKNESS
4. 量産対応済の極数については、SD-52760-013を参照下さい。  
SEE SD-52760-013 FOR AVAILABLE ITEMS.
5. 本製品は52760-013の鉛フリー品である。  
THIS PRODUCT IS LEAD FREE OF 52760-013.

6	52760-2479	240
7	-2079	200
8	-1879	180
9	-1679	160
10	-1479	140
12	-1279	120
14	-1079	100
15	-0979	90
17	-0879	80
18	-0779	70
19	-6879	68
21	-0679	60
23	-0579	50
27	-0479	40
32	-0379	30
39	52760-0279	20

梱包数	52760-0279	極数	NO. OF CKT.
MATERIAL NO.		MATERIAL NO.	
MOLEX-JAPAN CO.,LTD. MOLEX 日本モレックス株式会社			
REVISE ONLY ON CAD SYSTEM			
TITLE 名称			
52760-013			
STICK PACKAGING			
-LEAD FREE-			
DWG. NO.	SD-52760-015	REV	0

角度	ANGLE	13°
以上	OVER	+0.3
以下	UNDER	+0.25
公差	TOLERANCE	+0.2
一般公差		

MODEL NO.	52760-013
材料	MATERIAL
スティック: ポリ塩化ビニル	STICK: P.V.C
仕上げ	FINISH
適用電線範囲	WIRE RANGE
被覆外径	INS. RANGE
DRAWN BY 04/02/26	CHK'D BY 04/02/26
Y.W.	M.S.
日付	DATE
04/02/26	04/02/26
Y.W.	M.S.
04/02/26	04/02/26
スケール	SCALE
1:1	1:1

新編作成	REVISION RECORD
0	0
Y.W.	M.S.
04/02/26	04/02/26
Y.W.	M.S.
04/02/26	04/02/26

DWG. NO. SD-52760-015

D

C

B DIMENSIONS IN METRIC DO NOT SCALE DRAWING

A