

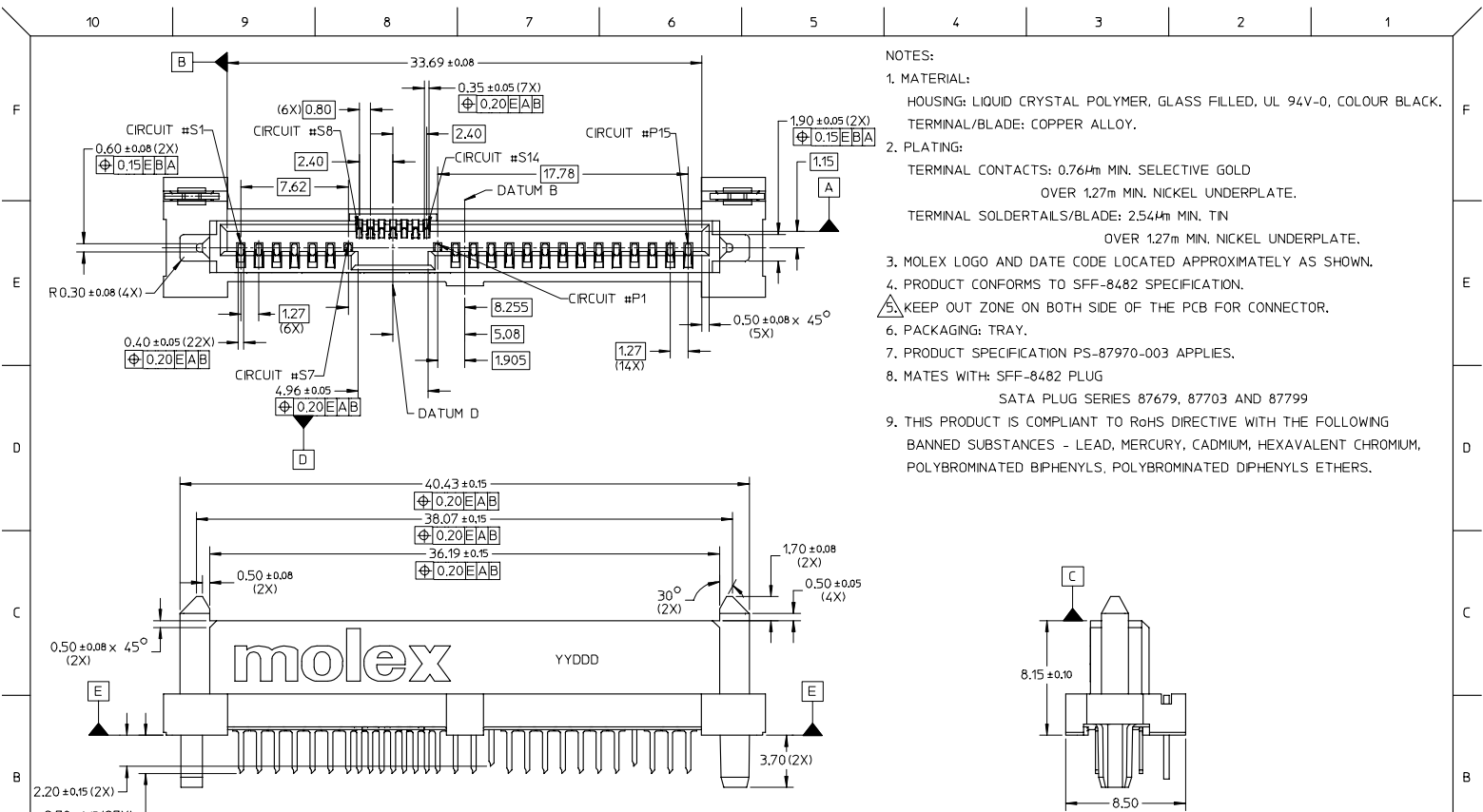
## Excellent Integrated System Limited

Stocking Distributor

Click to view price, real time Inventory, Delivery & Lifecycle Information:

[Molex Connector Corporation](#)  
[0879700001](#)

For any questions, you can email us directly:  
[sales@integrated-circuit.com](mailto:sales@integrated-circuit.com)



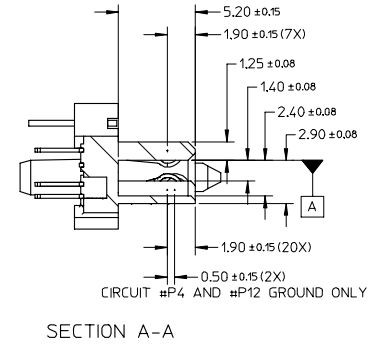
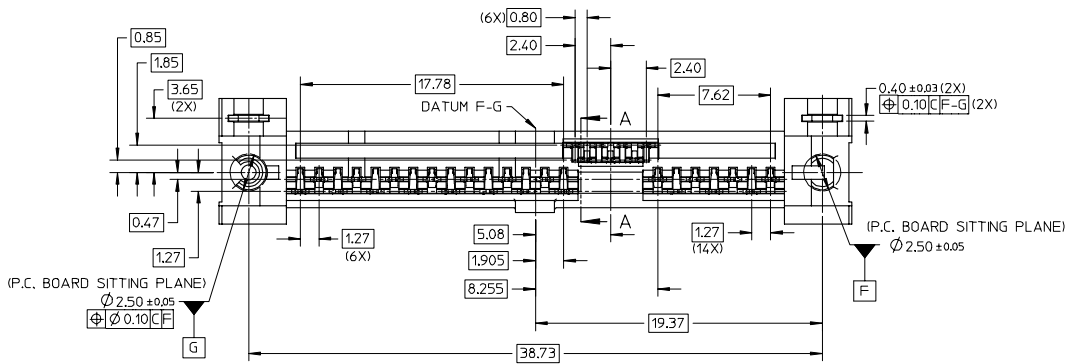
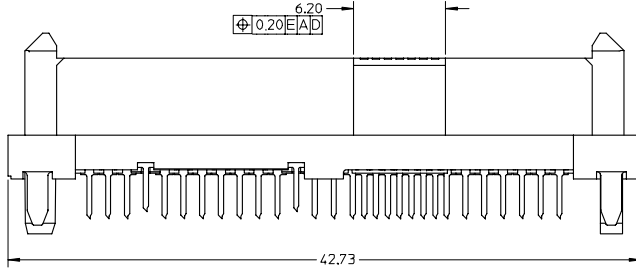
**NOTES:**

- MATERIAL:**  
HOUSING: LIQUID CRYSTAL POLYMER, GLASS FILLED, UL 94V-0, COLOUR BLACK.  
TERMINAL/BLADE: COPPER ALLOY.
- PLATING:**  
TERMINAL CONTACTS: 0.76µm MIN. SELECTIVE GOLD  
OVER 1.27m MIN. NICKEL UNDERPLATE.  
TERMINAL SOLDER TAILS/BLADE: 2.54µm MIN. TIN  
OVER 1.27m MIN. NICKEL UNDERPLATE.
- MOLEX LOGO AND DATE CODE LOCATED APPROXIMATELY AS SHOWN.
- PRODUCT CONFORMS TO SFF-8482 SPECIFICATION.
- KEEP OUT ZONE ON BOTH SIDE OF THE PCB FOR CONNECTOR.
- PACKAGING: TRAY.
- PRODUCT SPECIFICATION PS-87970-003 APPLIES.
- MATES WITH: SFF-8482 PLUG  
SATA PLUG SERIES 87679, 87703 AND 87799
- THIS PRODUCT IS COMPLIANT TO RoHS DIRECTIVE WITH THE FOLLOWING BANNED SUBSTANCES - LEAD, MERCURY, CADMIUM, HEXAVALENT CHROMIUM, POLYBROMINATED BIPHENYLS, POLYBROMINATED DIPHENYLS ETHERS.

THIS DESIGN IS BASED ON DESIGN OBJECTIVES AND IS STRICTLY TENTATIVE. IT MAY CHANGE BASED ON RESULTS OF ADDITIONAL DESIGN REVIEWS & VERIFICATIONS.

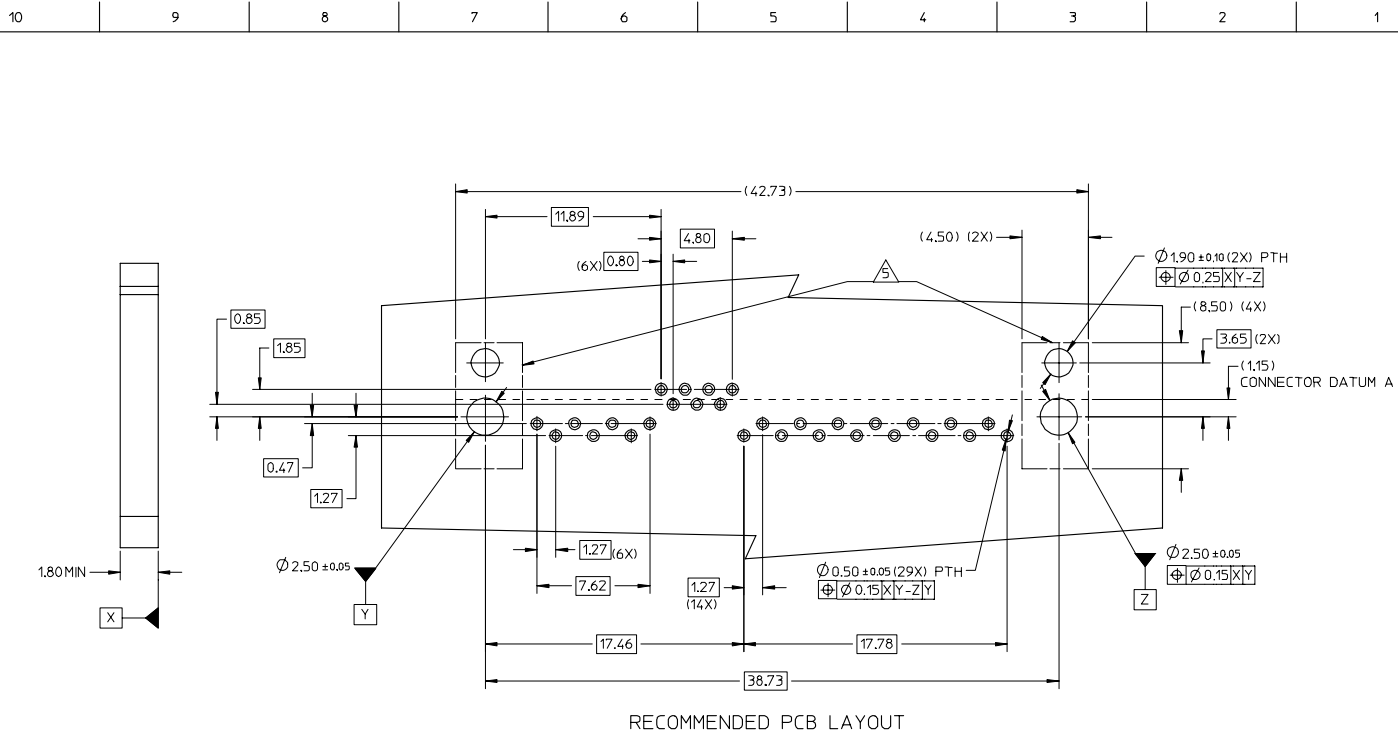
REVISED REC. NO: S2006-0480 2005/11/10 DRAWN BY CHKDSHONG 2005/11/10 APPROX. KLING 2005/11/11	QUALITY SYMBOLS ▽=0 ▽=0	GENERAL TOLERANCES (UNLESS SPECIFIED)		DIMENSION STYLE MM ONLY	SCALE NTS	DESIGN UNITS METRIC	THIRD ANGLE PROJECTION		
		4 PLACES ± --- ± --- 3 PLACES ± --- ± --- 2 PLACES ± 0.20 ± --- 1 PLACE ± --- ± ---	mm      INCH	DRAWN BY DKOH	DATE 2004/12/03	TITLE SERIAL ATTACH SCSI VERT. STAGGERED T/H STANDARD HEIGHT			
		ANGULAR ± 3 °		CHECKED BY KCL ING	DATE 2005/01/13	MOLEX INCORPORATED			
		DRAFT WHERE APPLICABLE MUST REMAIN WITHIN DIMENSIONS		APPROVED BY SKTOH	DATE 2005/01/14	MATERIAL NO. 87970-0001	DOCUMENT NO. SD-87970-001	SHEET NO. 1 OF 4	

10 9 8 7 6 5 4 3 2 1



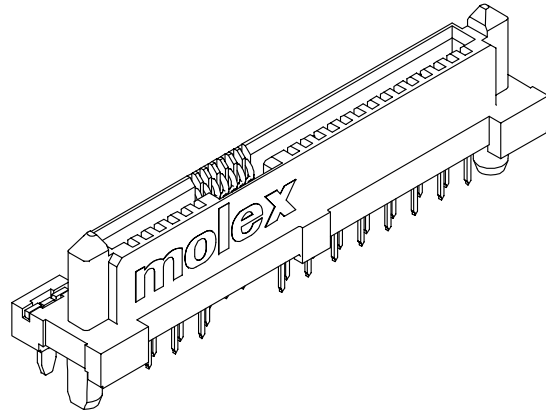
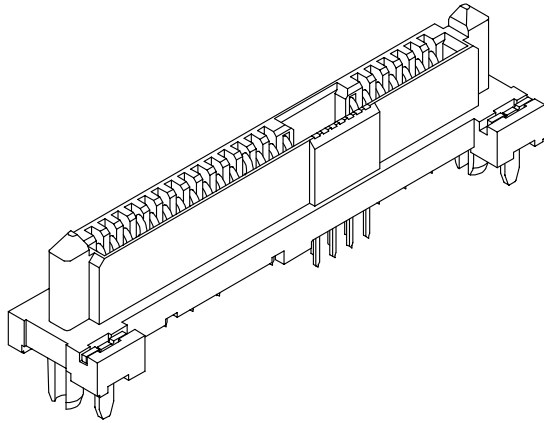
SEE SHEET 1 SEC. NO. S2006-0480 DRAWN BY: 2005/11/10 CHD/SRONG APPROV. BY: 2005/11/11 KCL/ING	QUALITY SYMBOLS	GENERAL TOLERANCES (UNLESS SPECIFIED) mm INCH 4 PLACES ± --- ± --- 3 PLACES ± --- ± --- 2 PLACES ± 0.20 ± --- 1 PLACE ± --- ± --- ANGULAR ± 3 ° DRAFT WHERE APPLICABLE MUST REMAIN WITHIN DIMENSIONS	DIMENSION STYLE	SCALE	DESIGN UNITS	THIRD ANGLE PROJECTION
			MM ONLY	NTS	METRIC	
			DRAWN BY: DKOH	DATE: 2004/12/03	TITLE: SERIAL ATTACH SCSI VERT. STAGGERED T/H STANDARD HEIGHT	
			CHECKED BY: KCL/ING	DATE: 2005/01/13	APPROVED BY: SKTOH	
REV: A1	DESCRIPTION:		MATERIAL NO. 87970-0001	DOCUMENT NO. SD-87970-001	MOLEX INCORPORATED	SHEET NO. 2 OF 4

9 8 7 6 5 4 3 2 1



RECOMMENDED PCB LAYOUT

SEE SHEET 1 EC. NO. S2006-0480 DRAWN BY: 2005/11/10 CHKD. BY: 2005/11/10 APPR. BY: 2005/11/11	QUALITY SYMBOLS ▽=0 ▽=0	GENERAL TOLERANCES (UNLESS SPECIFIED)		DIMENSION STYLE MM ONLY		SCALE NTS	DESIGN UNITS METRIC	THIRD ANGLE PROJECTION
		4 PLACES ± --- ± ---	3 PLACES ± --- ± ---	DRAWN BY: DKOH DATE: 2004/12/03	TITLE SERIAL ATTACH SCSI VERT. STAGGERED T/H STANDARD HEIGHT			
		2 PLACES ± 0.20 ± ---	1 PLACE ± --- ± ---	CHECKED BY: KCL ING DATE: 2005/01/13	MOLEX INCORPORATED			
		ANGULAR ± 3 °		APPROVED BY: SKTOH DATE: 2005/01/14	MATERIAL NO. 87970-0001	DOCUMENT NO. SD-87970-001	SHEET NO. 3 OF 4	
DRAFT WHERE APPLICABLE MUST REMAIN WITHIN DIMENSIONS		THIS DRAWING CONTAINS INFORMATION THAT IS PROPRIETARY TO MOLEX INCORPORATED AND SHOULD NOT BE USED WITHOUT WRITTEN PERMISSION						



SEE SHEET 1 EC. NO. S2006-0480 DRAWN BY: JERNYKOH CHKD. BY: CHKDSHONG APPR. BY: KKLING	2005/11/10 2005/11/10 2005/11/11	DESCRIPTION REV. 1	QUALITY SYMBOLS ▽=0 ▽=0	GENERAL TOLERANCES (UNLESS SPECIFIED)		DIMENSION STYLE MM ONLY		SCALE NTS	DESIGN UNITS METRIC	THIRD ANGLE PROJECTION
			4 PLACES ± --- ± --- 3 PLACES ± --- ± --- 2 PLACES ± 0.20 ± --- 1 PLACE ± --- ± ---	mm INCH	DRAWN BY: DKOH DATE: 2004/12/03	TITLE SERIAL ATTACH SCSI VERT. STAGGERED T/H STANDARD HEIGHT				
			ANGULAR ± 3 °		CHECKED BY: KKLING DATE: 2005/01/13	MOLEX INCORPORATED				
			DRAFT WHERE APPLICABLE MUST REMAIN WITHIN DIMENSIONS		APPROVED BY: SKTOH DATE: 2005/01/14	MATERIAL NO. 87970-0001	DOCUMENT NO. SD-87970-001	SHEET NO. 4 OF 4		