

Excellent Integrated System Limited

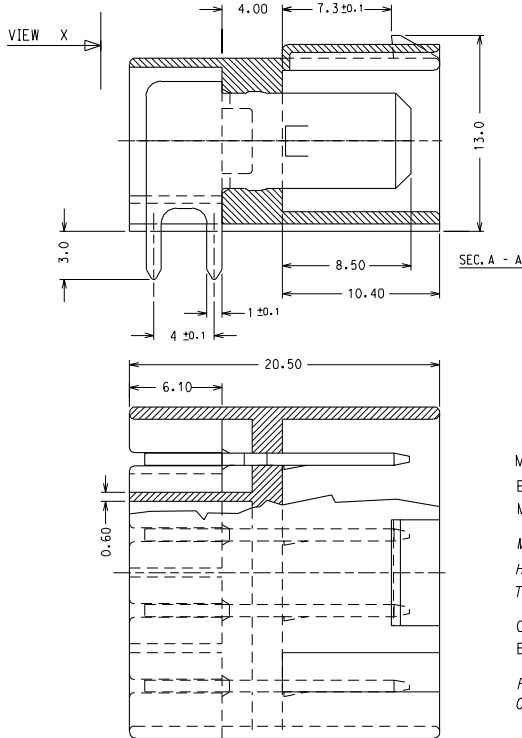
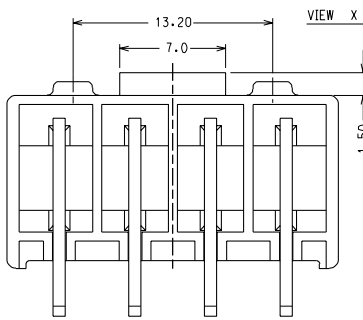
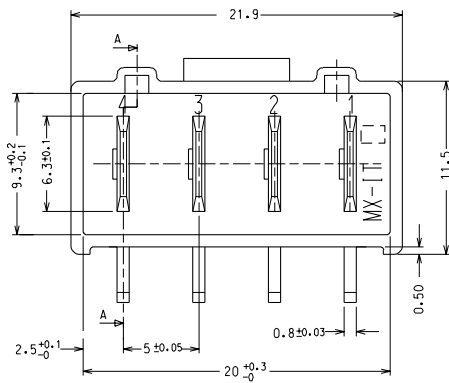
Stocking Distributor

Click to view price, real time Inventory, Delivery & Lifecycle Information:

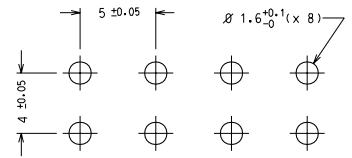
[Molex Connector Corporation](#)
[0942131014](#)

For any questions, you can email us directly:

sales@integrated-circuit.com



FORATURA SU C.S.
SUGGESTED PCB LAYOUT



CODICE ART./P/N	COLORE / COLOR
94213-1004	BIANCO / WHITE
94213-1014	NERO / BLACK

MATERIALE:
BLOCCHETTO: NYLON 6.6 HB
MASCHIO: OTTONE STAGNATO

MATERIAL:
HSG: NYLON 6.6 HB
TERMINAL: TIN PLATED BRASS

CONFEZIONE:
BOX DA 2000 pz.

PKG:
CARDBOARD BOXES: 2000 pcs/ea

REVISIONS		DIMENSIONS SHOWN (METRIC) INCH		DRWG BY		REVISIONS		SH.	REV.
A1	ECN 24-043 24-02-94 G.F.	UNLESS OTHERWISE SPECIFIED TOLERANCES ANGULAR ± 2° (INCH) (METRIC)		Gottardo		CAD/CAM FILENAME 9421310S			
A	ECN 23-179 01-12-93 G.F.	3 PLACE ±		CHK'D BY		TITLE CONNETTORE A 4 VIE CON MASCHI DA 6.3 X 0.8 PER C.S. 4 CKT PCB R/A CONNECTOR (6.3 x 0.8 TABS)			
LTR	Emmissione di definitivi.	2 PLACE ± ± 0.15		APP'D BY		MATERIAL MOLEX INCORPORATED		SHEET NO.	DATE
		1 PLACE ± ± 0.25		SCALE		PART NO.		1/1	05-10-92
		DESIGN DIMENSION (PRIMARY) □ (MM) □ (IN)		4 : 1		ved. tabella see table		DWG NO.	SIZE
		EQUIVALENT DIMENSION (SECONDARY) □ (MM) □ (IN)				SD 94213-10XX M			B