

Excellent Integrated System Limited

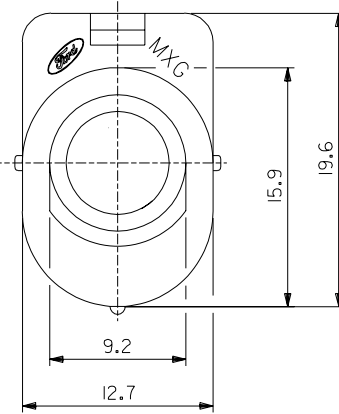
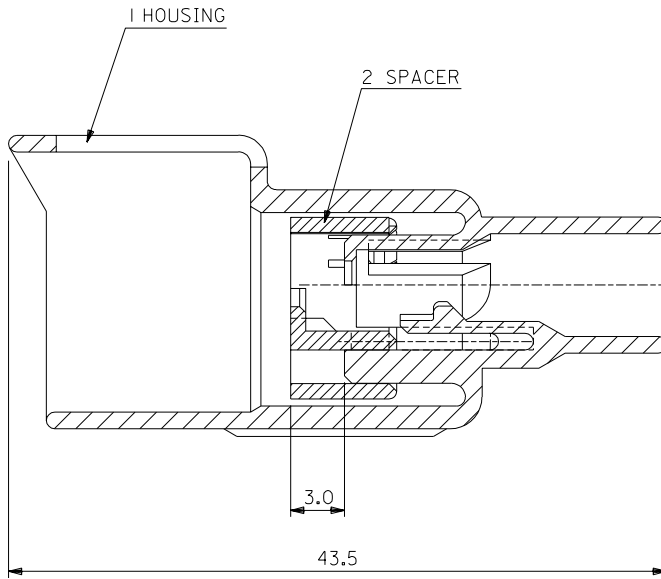
Stocking Distributor

Click to view price, real time Inventory, Delivery & Lifecycle Information:

[Molex Connector Corporation](#)
[0980150001](#)

For any questions, you can email us directly:
sales@integrated-circuit.com

MOLEX NO.	COLOR	FARBE	RAL	
98015-0001	BLACK	SCHWARZ	9005	
98015-0002	BROWN	BRAUN	8017	
98015-0003	BLUE	BLAU	5015	
98015-0004	GREEN	GRUEN	6001	
98015-0005	YELLOW	GELB	1018	
98015-0006	GREY	GRAU	7035	
98015-0007	ORANGE	ORANGE	1007	
98015-0008	NATURAL	NATUR	-	
98015-1009	PINK	PINK	-	DUMMY



MATERIAL: PBTP 30% GV

FOR PREVIOUS
DRAWING ISSUES
SEE "EDIS"

REV.	DATE	DESCRIPTION
D	01.03.93	ECN MXG 1028 H. DIETZ

THIRD ANGLE PROJECTION		REVISE ONLY ON CAD SYSTEM		SH.	REV.
DIMENSIONS SHOWN (METRIC) INCH UNLESS OTHERWISE SPECIFIED TOLERANCES: ANGULAR: ± INCH (METRIC)		DRWG BY DT	CAD/CAM FILE NAME SDASB015 DGN	THIS DRAWING CONTAINS INFORMATION THAT IS PROPRIETARY TO MOLEX INC. & SHOULD NOT BE USED WITHOUT WRITTEN PERMISSION	
3 PLACE ±	±	CHK'D BY ARE	TITLE 1-WAY HOUSING FOR MALE TERMINAL		
2 PLACE ±	±	APP'D BY APO	MOLEX EUROPE		
1 PLACE ±	± 0,2	SCALE	SHEET NO. DATE 1 / 1 87 / 02 / 19		
DRAFT WHERE APPLICABLE MUST REMAIN WITHIN DIMENSIONS		PART NO.		SIZE	
DESIGN DIMENSION <input checked="" type="checkbox"/> (MM) (PRIMARY) <input type="checkbox"/> IN.		SEE TABLE		B	
EQUIVALENT DIMENSION <input type="checkbox"/> (MM) (SECONDARY) <input type="checkbox"/> IN.		DWG NO.		SDA-98015	