

## **Excellent Integrated System Limited**

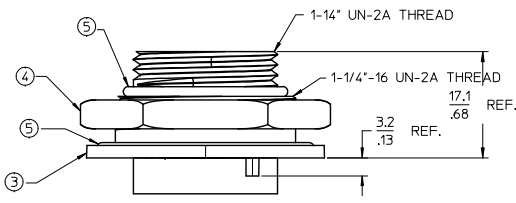
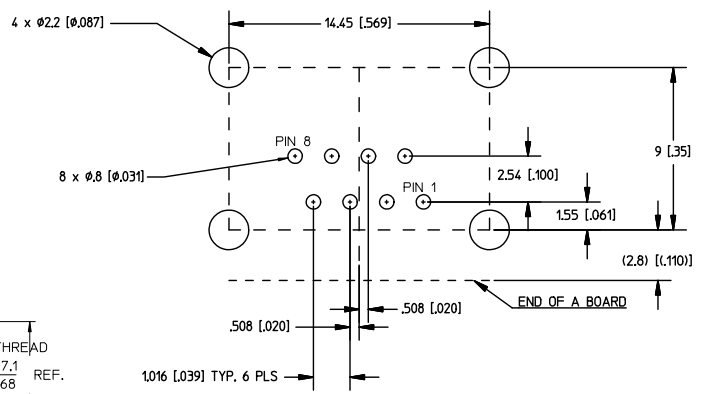
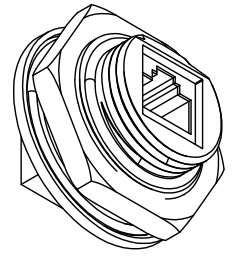
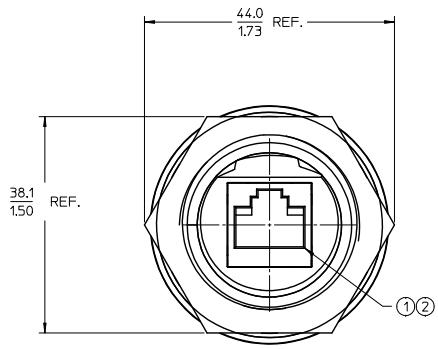
Stocking Distributor

Click to view price, real time Inventory, Delivery & Lifecycle Information:

[Molex Connector Corporation](#)  
[1300530004](#)

For any questions, you can email us directly:  
[sales@integrated-circuit.com](mailto:sales@integrated-circuit.com)

MATERIAL NUMBER	OLD PART NUMBER
1300530004	ENPR1FF5



BOARD MOUNTING DIMENSIONAL DRAWING (CONNECTOR SIDE)

VOLTAGE RATING	125 VDC
AMPERAGE RATING	1.5 AMPS
PROTECTION	IP67
OPERATING TEMPERATURE	-20°C TO 80°C

ITEM	COMPONENT	MATERIAL	FINISH
1	CONTACT HOUSING	ABS	BLACK
2	CONTACT SOCKET	COPPER ALLOY	GOLD OVER NICKEL
3	RECEPTACLE SHELL	ABS	BLACK
4	COUPLING NUT	ABS	BLACK
5	O-RING	VITON	BLACK

ADDED MOUNTING HOLE PATTERN

EC NO: IPG2015-2173	2015/06/26
DRAWING: GGUSTAFSON	2015/08/05
CHECKED BY: BARDEN	2015/07/08
APPROVED BY: BWOODMAN	

QUALITY SYMBOLS	GENERAL TOLERANCES (UNLESS SPECIFIED)
▽=0	mm INCH
▽=0	4 PLACES ± .005 ± .0005
	3 PLACES ± .010 ± .005
	2 PLACES ± .13 ± .010
	1 PLACE ± .25 ± .010
	0 PLACE ± .000 ± .000
	ANGULAR ± .5°
	DRAFT WHERE APPLICABLE MUST REMAIN WITHIN DIMENSIONS

DRAWN BY	DATE
GGUSTAFSON	2015/06/26
CHECKED BY	DATE
BARDEN	2015/08/05
APPROVED BY	DATE
BWOODMAN	2015/07/08

SCALE	DESIGN UNITS	THIRD ANGLE PROJECTION
2:1	METRIC	
TITLE		
RJ-LNXX RECEPTACLE PCB MOUNT - VERTICAL		
molex		
MATERIAL NO.	DOCUMENT NO.	SHEET NO.
SEE CHART	SD-130053-001	1 OF 1