

Excellent Integrated System Limited

Stocking Distributor

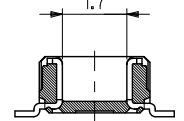
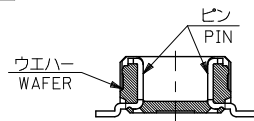
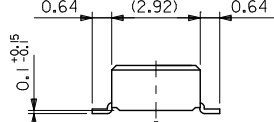
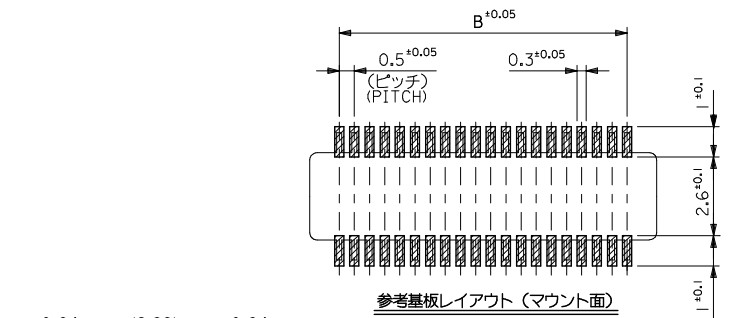
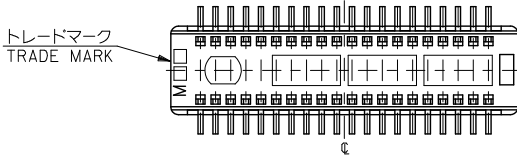
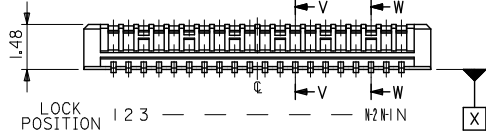
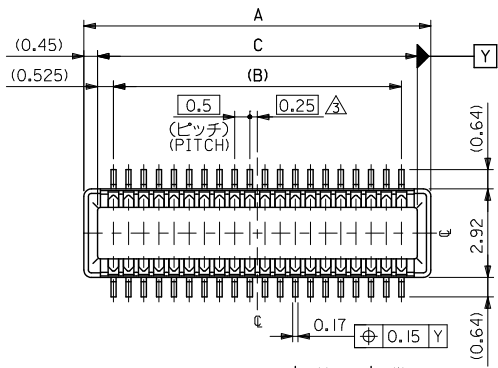
Click to view price, real time Inventory, Delivery & Lifecycle Information:

[Molex Connector Corporation](#)
[5003340300](#)

For any questions, you can email us directly:

sales@integrated-circuit.com

10 9 8 7 6 5 4 3 2 1

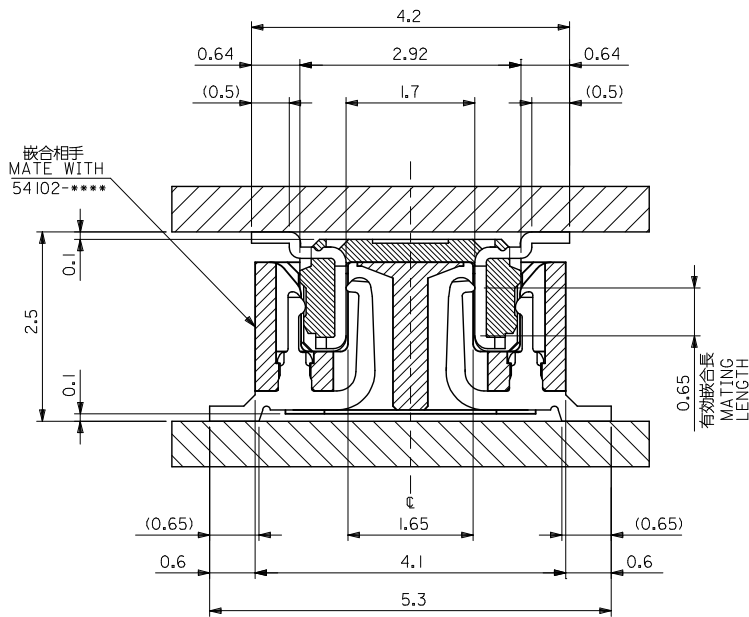


NONE	20.55	19.5	21.45	500334-0800	80
ALL	8.05	7	8.95	500334-0300	30
	5.55	4.5	6.45	500334-0200	20
	4.55	3.5	5.45	500334-0160	16
LOCK POSITION	C	B	A	EMBOSSED TAPE PACKAGE	
				ORDER No.	CIRCUIT

REVISED EC NO. J2013-1267 DRAWN: TARA 01 2013/05/07 CHKD: TASAKAWA 2013/05/08 APPR: HISASAO 2013/05/10	DESCRIPTION	GENERAL TOLERANCES (UNLESS SPECIFIED)	DIMENSION STYLE MM ONLY	SCALE ---	DESIGN UNITS METRIC	THIRD ANGLE PROJECTION
	REV	10 UNDER ± 0.2	DRAWN BY GMATSUNO	DATE 2012/08/10	TITLE 0.5 B-TO-B CONN PLUG (HGT=2.5) (SHEET 1 OF 2)	
		10 OVER 30 UNDER ± 0.25	CHECKED BY TASAKAWA	DATE 2012/08/10	MATERIAL NO.	
		30 OVER ± 0.3	APPROVED BY	DATE	DOCUMENT NO. SD-500334-001	
		ANGULAR ± 3 °	DRAFT WHERE APPLICABLE MUST REMAIN WITHIN DIMENSIONS		SHEET NO. 1 OF 2	
		SEE CHART		THIS DRAWING CONTAINS INFORMATION THAT IS PROPRIETARY TO MOLEX INCORPORATED AND SHOULD NOT BE USED WITHOUT WRITTEN PERMISSION		

9 8 7 6 5 4 3 2

10 9 8 7 6 5 4 3 2 1



注記 NOTES:

1. 使用材料 MATERIAL
ハウジング: 液晶ポリマー (LCP), ガラス充填, UL94V-0, 色: 黒
HOUSING: LIQUID CRYSTAL POLYMER(LCP), GLASS FILLED
UL94V-0, COLOR: BLACK
ターミナル: 黄銅 (t=0.15)
TERMINAL: BRASS (t=0.15)
2. メッキ仕様 PLATING
金メッキ 0.25マイクロメートル以上 (コンタクト部)
GOLD(AU) 0.25 MICROMETER MINIMUM (CONTACT AREA)
金メッキ (テール部)
GOLD PLATING (SOLDER TAIL AREA)
下地メッキ: ニッケルメッキ 1.5マイクロメートル以上
UNDER PLATING: NICKEL 1.5 MICROMETER MINIMUM
- △ (全極数/2) = 偶数の場合に適用。
APPLY FOR (CIRCUIT/2)=EVEN.
4. 嵌合相手: 54102シリーズ
MATE WITH: 54102 SERIES.
5. テール平坦度は 0.1以下。
TAIL COPLANARITY TO BE 0.1 MAXIMUM.

嵌合断面図 (参考)
MATED DRAWING (REF.)

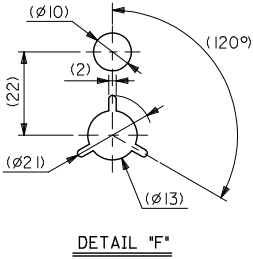
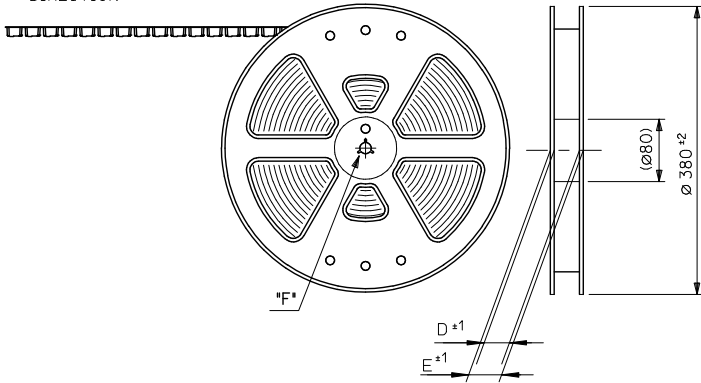
CONNECTOR SERIES No.500334-***8

REVISED EC NO. J2013-1267 DRAWN: TARA 01 2013/05/07 CHKD: TASAKAWA 2013/05/08 APPR: HISASAO 2013/05/10	GENERAL TOLERANCES (UNLESS SPECIFIED)		DIMENSION STYLE	SCALE	DESIGN UNITS	THIRD ANGLE PROJECTION
			MM ONLY	---	METRIC	
	DESCRIPTION	10 UNDER	± 0.2	DRAWN BY	DATE	TITLE
		10 OVER 30 UNDER	± 0.25	GMATSNO	2012/08/10	0.5 B-TO-B CONN PLUG (HGT=2.5) (SHEET 2 OF 2)
	30 OVER	± 0.3	CHECKED BY	DATE		
	ANGULAR	± 3 °	TASAKAWA	2012/08/10		
	DRAFT WHERE APPLICABLE MUST REMAIN WITHIN DIMENSIONS		APPROVED BY	DATE		
REV			MATERIAL NO.	DOCUMENT NO.	SHEET NO.	
B			SEE CHART	SD-500334-001	2 OF 2	
SIZE A THIS DRAWING CONTAINS INFORMATION THAT IS PROPRIETARY TO MOLEX INCORPORATED AND SHOULD NOT BE USED WITHOUT WRITTEN PERMISSION						

9 8 7 6 5 4 3 2

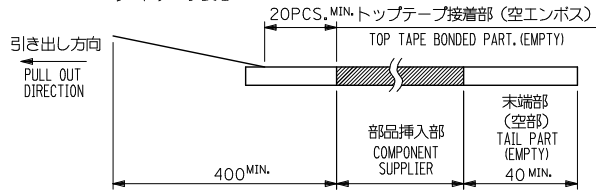
10 9 8 7 6 5 4 3 2 1

引き出し方向
PULL OUT
DIRECTION



NOTES

1. 製品詳細寸法については図面 SD-500334-001 を参照下さい。
RE DETAILED DIMENSION, SEE SD-500334-001
2. 梱包数量: 3000個/1リール
NUMBER OF CONNECTORS: 3000PCS/REEL
3. リードテープ長さ LEAD TAPE LENGTH

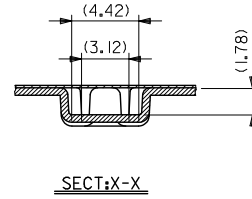
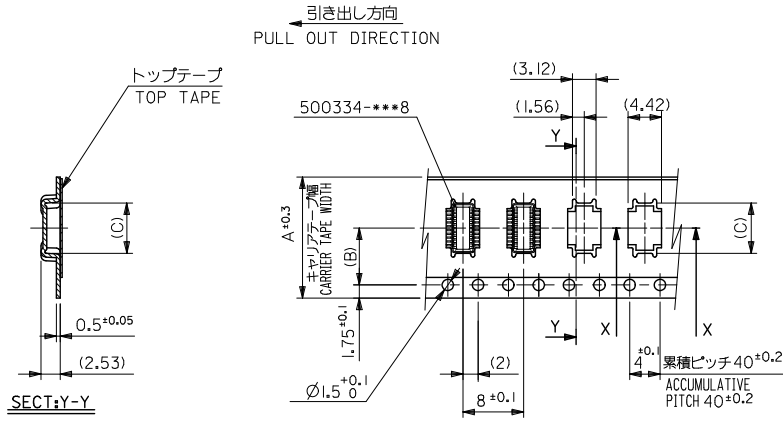


4. カバーテープの剥離強度については、IEC60286-3に準拠
COVER TAPE PEEL FORCE IS DEFINED BY IEC60286-3.
5. 材料 MATERIAL
キャリアテープ: ポリプロピレン (PP)
CARRIER TAPE: POLYPROPYLENE (PP)
トップテープ: ポリエステル (PET)、ポリエチレン (PE)、ポリエチレンフォーム (PEF)
TOP TAPE: POLYESTER (PET), POLYETHYLENE (PE), POLYETHYLENEFOAM (PEF)
リール: ポリスチレン (PS) <リサイクル材を含む>
REEL: POLYSTYRENE (PS) <RECYCLE MATERIAL CONTAINED>

REVISED IEC NO: J2013-1267 DRAWN: TARA 01 2013/05/07 CHKD: TASHIKAWA 2013/05/08 APPR: HISASAO 2013/05/10	DESCRIPTION	GENERAL TOLERANCES (UNLESS SPECIFIED)		DIMENSION STYLE MM ONLY		SCALE ---	DESIGN UNITS METRIC	THIRD ANGLE PROJECTION	
		10 UNDER	± 0.2	DRAWN BY N. YOSHIKAWA	DATE 2009/03/18	TITLE EMBSTP PKG FOR 0.5 B/B PLUG ASSY (HGT=2.5) -LEAD FREE-			
		10 OVER 30 UNDER	± 0.25	CHECKED BY M. HAYASHI	DATE 2009/03/18				
		30 OVER	± 0.3	APPROVED BY N. UKITA	DATE 2009/03/18				
ANGULAR ± 3 °		DRAFT WHERE APPLICABLE MUST REMAIN WITHIN DIMENSIONS		MATERIAL NO. SEE CHART		DOCUMENT NO. SD-500334-002		SHEET NO. 1 OF 4	
THIS DRAWING CONTAINS INFORMATION THAT IS PROPRIETARY TO MOLEX INCORPORATED AND SHOULD NOT BE USED WITHOUT WRITTEN PERMISSION									

9 8 7 6 5 4 3 2 1

10 9 8 7 6 5 4 3 2 1



SECT: Y-Y

16mm幅キャリアテープ
16mm WIDTH CARRIER TAPE

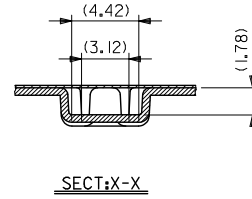
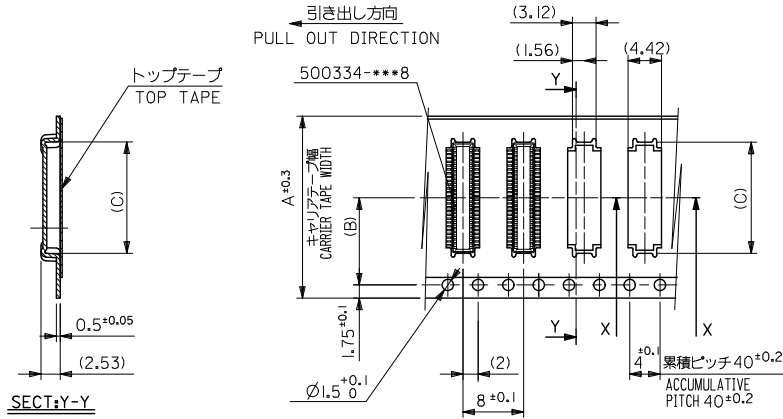
21.4	17.4	6.65	7.5	16	500334-0200	20
21.4	17.4	5.65	7.5	16	500334-0160	16
E	D	(C)	(B)	A	EMBOSSED TAPE PACKAGE ORDER No.	極微 CKT.

CONNECTOR SERIES No. 500334-***0

REVISED EC NO. J2013-1267 DRAWN: TARA 01 2013/05/07 CHKD: TASHIKAWA 2013/05/08 APPR: HISASAO 2013/05/10	DESCRIPTION	GENERAL TOLERANCES (UNLESS SPECIFIED)		DIMENSION STYLE		SCALE	DESIGN UNITS	THIRD ANGLE PROJECTION		
				MM ONLY		---	METRIC	◎ □		
		10 UNDER	± 0.2	DRAWN BY	DATE	TITLE				
		10 OVER 30 UNDER	± 0.25	N. YOSHIKAWA	2009/03/19	EMBSTP PKG FOR 0.5 B/B PLUG ASSY (HGT=2.5) -LEAD FREE-				
30 OVER	± 0.3	M. HAYASHI	2009/03/19	molex						
ANGULAR ± 3 °		N. UKITA	2009/03/19							
DRAFT WHERE APPLICABLE MUST REMAIN WITHIN DIMENSIONS		MATERIAL NO.		SEE CHRAT		DOCUMENT NO.		SD-500334-002		
		SIZE		A3		THIS DRAWING CONTAINS INFORMATION THAT IS PROPRIETARY TO MOLEX INCORPORATED AND SHOULD NOT BE USED WITHOUT WRITTEN PERMISSION		SHEET NO. 2 OF 4		

9 8 7 6 5 4 3 2

10 9 8 7 6 5 4 3 2 1



24mm幅キャリアテープ
24mm WIDTH CARRIER TAPE

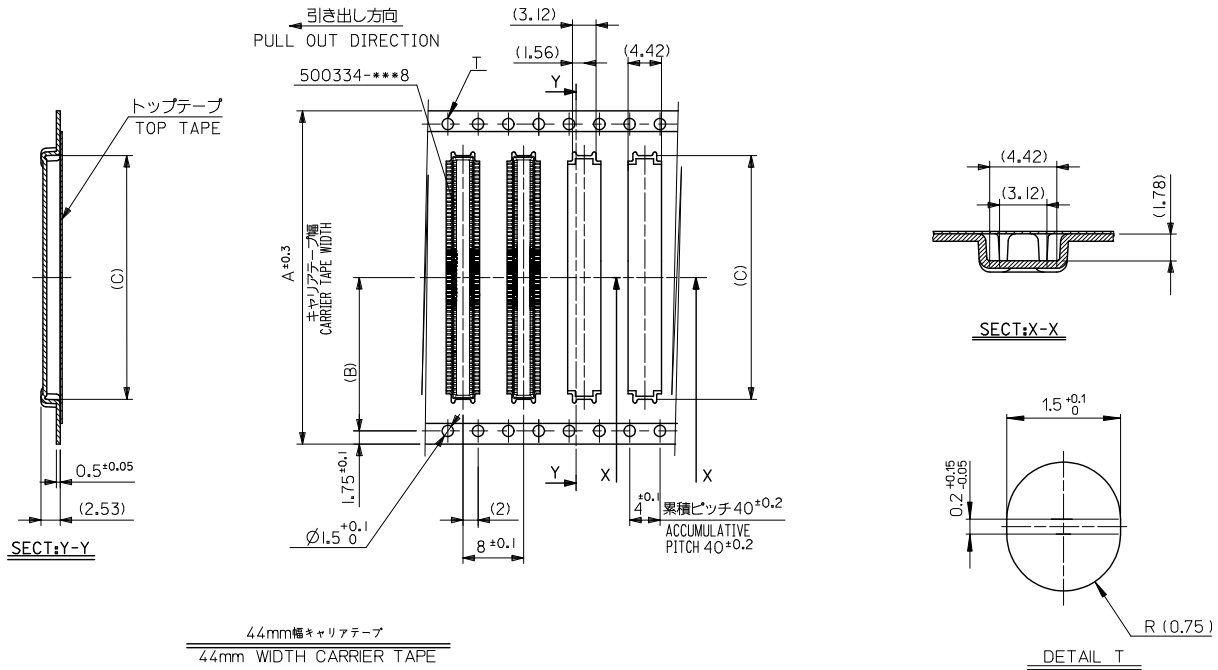
29.4	25.4	9.15	11.5	24	500334-0300	30
E	D	(C)	(B)	A	EMBOSSED TAPE PACKAGE	極微 CKT.
ORDER No.						

CONNECTOR SERIES No. 500334-***0

REVISED EC NO. J2013-1267 DRAWN: TARA 01 2013/05/07 CHKD: TASHIKAWA 2013/05/08 APPR: MSASAO 2013/05/10	GENERAL TOLERANCES (UNLESS SPECIFIED)		DIMENSION STYLE MM ONLY	SCALE ---	DESIGN UNITS METRIC	THIRD ANGLE PROJECTION
	10 UNDER	± 0.2	DRAWN BY N. YOSHIKAWA	DATE 2009/03/19	TITLE EMBSTP PKG FOR 0.5 B/B PLUG ASSY (HGT=2.5) -LEAD FREE-	
	10 OVER 30 UNDER	± 0.25	CHECKED BY M. HAYASHI	DATE 2009/03/19		
	30 OVER	± 0.3	APPROVED BY MSASAO	DATE 2013/05/10		
ANGULAR ± 3 °		MATERIAL NO. SEE CHRAT		DOCUMENT NO. SD-500334-002	SHEET NO. 3 OF 4	
DRAFT WHERE APPLICABLE MUST REMAIN WITHIN DIMENSIONS		THIS DRAWING CONTAINS INFORMATION THAT IS PROPRIETARY TO MOLEX INCORPORATED AND SHOULD NOT BE USED WITHOUT WRITTEN PERMISSION				

9 8 7 6 5 4 3 2

10 9 8 7 6 5 4 3 2 1



49.4	45.4	21.65	20.2	44	500334-0800	80
E	D	(C)	(B)	A	EMBOSSD TAPE PACKAGE	種別 CKT.
ORDER No.						種別 CKT.

CONNECTOR SERIES No. 500334-***0

REVISED REV C	2013/05/07 DRAWN: TARA 01	GENERAL TOLERANCES (UNLESS SPECIFIED)	DIMENSION STYLE MM ONLY		SCALE ---	DESIGN UNITS METRIC	THIRD ANGLE PROJECTION
	2013/05/08 CHKD: TASHIKAWA		10 UNDER ± 0.2	DRAWN BY N. YOSHIKAWA	DATE 2009/03/19	TITLE EMBSTP PKG FOR 0.5 B/B PLUG ASSY (HGT=2.5) -LEAD FREE-	
	2013/05/10 APPR: MSASAO		10 OVER 30 UNDER ± 0.25	CHECKED BY M. HAYASHI	DATE 2009/03/19	molex	
			30 OVER ± 0.3	APPROVED BY MSASAO	DATE 2013/05/10		
	ANGULAR ± 3 °	MATERIAL NO. SEE CHRT		DOCUMENT NO. SD-500334-002	SHEET NO. 4 OF 4		
	DRAFT WHERE APPLICABLE MUST REMAIN WITHIN DIMENSIONS	THIS DRAWING CONTAINS INFORMATION THAT IS PROPRIETARY TO MOLEX INCORPORATED AND SHOULD NOT BE USED WITHOUT WRITTEN PERMISSION					

9 8 7 6 5 4 3 2