

Excellent Integrated System Limited

Stocking Distributor

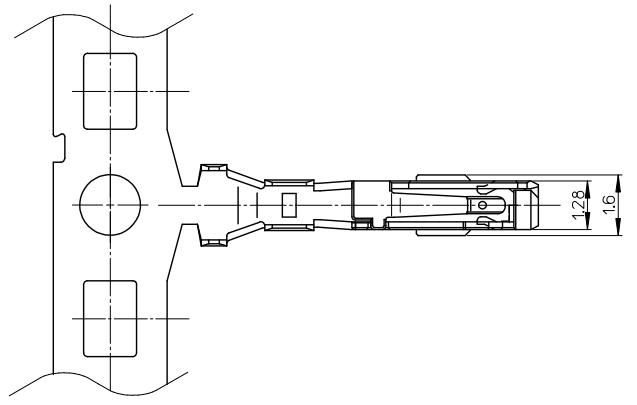
Click to view price, real time Inventory, Delivery & Lifecycle Information:

[Molex Connector Corporation](#)
[5016481000](#)

For any questions, you can email us directly:

sales@integrated-circuit.com

10 9 8 7 6 5 4 3 2 1



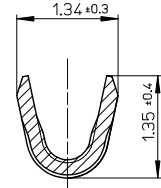
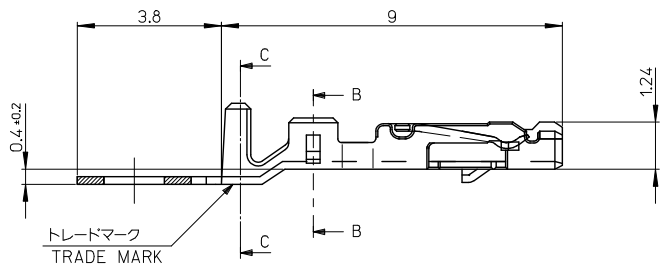
注記
NOTES

1. 使用材料 : 銅合金, 鍍メッキ (t=0.2)
MATERIAL : REFLOWED TIN COPPER ALLOY
2. 適合ハウジング : 501646 シリーズ
APPLICABLE HOUSING : 501646 SERIES
3. 電線仕様
CABLE SPEC.
AWG : #26~28
適用電線範囲 : 0.079~0.136mm²
WIRE RANGE
被覆外形 : $\phi 0.85 \sim \phi 1.4$ mm
INS. RANGE

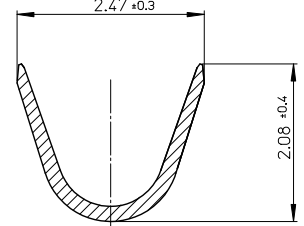
4. 嵌合相手 MATES WITH

PLUG ST HEADER (TIN PLATING)	501645 SERIES
PLUG R/A HEADER (TIN PLATING)	501876 SERIES

5. ELV 及び RoHS 適合品
ELV AND RoHS COMPLIANT.



SECTION B-B
(SCALE:20-1)



SECTION C-C
(SCALE:20-1)

501648-1100	バラ状 LOOSE
501648-1000	連続状 CHAIN
MATERIAL NO.	端子形状 FORM

REVISED EC NO. J2017-0032 DRAWN BY DRWNAIDA CHKD-SAKIYAMA APPR:IKANEKO	GENERAL TOLERANCES (UNLESS SPECIFIED)		DIMENSION STYLE MM ONLY		SCALE 10:1	DESIGN UNITS METRIC	THIRD ANGLE PROJECTION
	0.25 UNDER	UNDER	±0.03	DRAWN BY N. ITO	DATE '05/11/22	TITLE IGRID 2.0 W/B DUAL RCPT TERM AWG #26 - 28	
	0.25 OVER	0.5 UNDER	±0.05	CHECKED BY ASAKAWA	DATE '05/11/22		
	0.5 OVER	1.0 UNDER	±0.1	APPROVED BY ICHIKAWA	DATE '05/11/22		
	1.0 OVER	10 UNDER	±0.2	MATERIAL NO. 501648-1*00	DOCUMENT NO. SD-501648-001		
10 OVER	30 UNDER	±0.25	DRAFT WHERE APPLICABLE MUST REMAIN WITHIN DIMENSIONS		SIZE A3	THIS DRAWING CONTAINS INFORMATION THAT IS PROPRIETARY TO MOLEX ELECTRONIC TECHNOLOGIES, LLC AND SHOULD NOT BE USED WITHOUT WRITTEN PERMISSION	
30 OVER		±0.3	SHEET NO. 1 OF 1				

9 8 7 6 5 4 3 2 1