

## Excellent Integrated System Limited

Stocking Distributor

Click to view price, real time Inventory, Delivery & Lifecycle Information:

[Molex Connector Corporation](#)  
[5019204001](#)

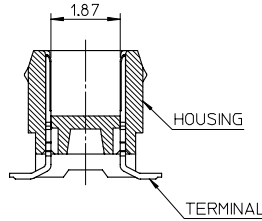
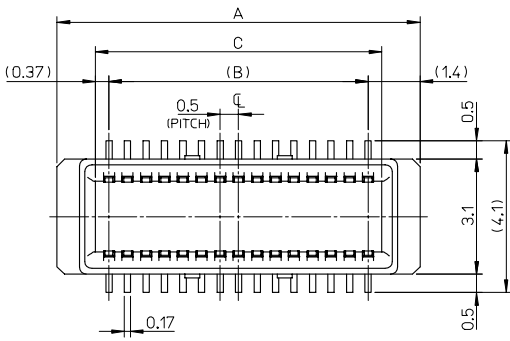
For any questions, you can email us directly:

[sales@integrated-circuit.com](mailto:sales@integrated-circuit.com)

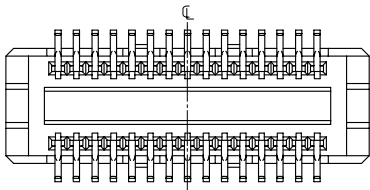
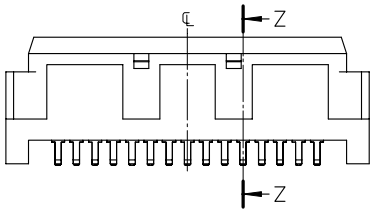
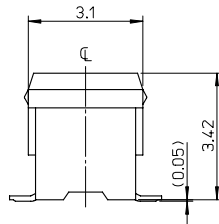
10 9 8 7 6 5 4 3 2 1

F  
E  
D  
C  
B  
A

F  
E  
D  
C  
B  
A



SECTION Z-Z



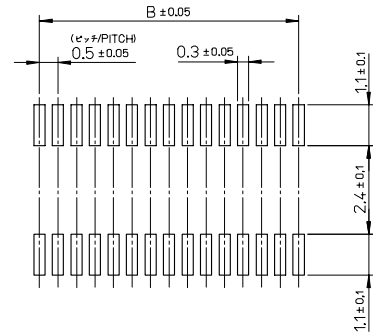
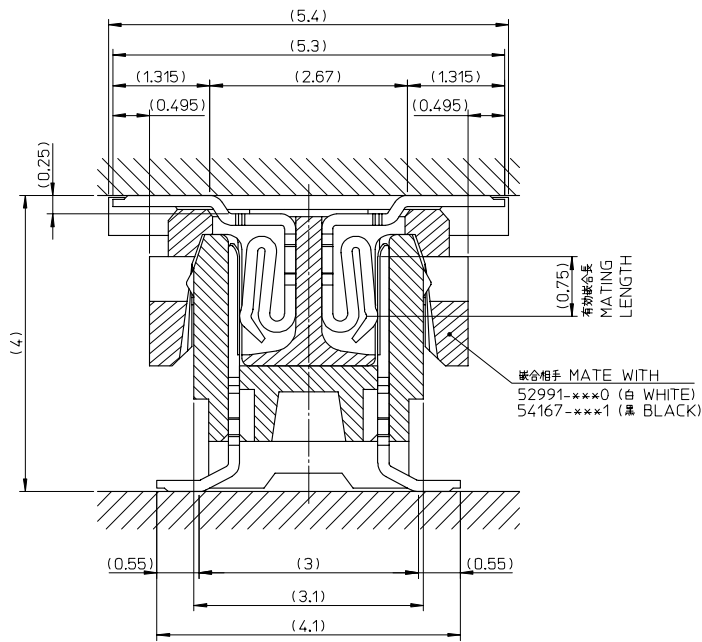
**NOTES**

- 1.材質  
MATERIAL  
ハウジング: LCP(液晶ポリマー)、ガラス充填、黒色、UL94V-0  
HOUSING: GLASS FILLED LIQUID CRYSTAL POLYMER BLACK UL94V-0  
ターミナル: 銅合金 (t=0.15)  
TERMINAL: COPPER ALLOY (t=0.15)
- 2.メッキ仕様  
PLATING  
ターミナル  
TERMINAL  
接点部: 金メッキ  
CONTACT AREA: GOLD  
半田付け部: 銀メッキ  
SOLDER TAL. AREA: TIN  
下地メッキ: ニッケルメッキ  
UNDER PLATING: NICKEL
- 3.テール平坦度: 0.1 MAX.  
COPLANARITY: 0.1 MAXIMUM
4. ELV AND RoHS COMPLIANT.

10.24	9.5	12.3	501920-4001	501920-4009	40
7.74	7.0	9.8	501920-3001	501920-3009	30
C	B	A	エンボス梱包 EMBOSSED TAPE PACKAGING	製品番号 MATERIAL NO.	CIRCUIT

REVISED EC NO: J2007-3102 DRAWN: AOYAGI CHKD: M. SOGAYA APP: R. NIKITA 2007/05/24 2007/05/25 2007/05/25	GENERAL TOLERANCES (UNLESS SPECIFIED)		DIMENSION STYLE MM ONLY	SCALE 10:1	DESIGN UNITS METRIC	MODEL NO. 501920-***09
	10 UNDER	±0.2	DRAWN BY M. ISOGAYA	DATE 2005/08/17	TITLE 0.5 PITCH B/B CONN. PLUG HSG ASSY	
	10 OVER 30 UNDER	±0.25	CHECKED BY T. HIRATA	DATE 2005/08/17	THIRD ANGLE PROJECTION	
	30 OVER	±0.3	APPROVED BY M. SASAO	DATE 2005/08/17	MOLEX INCORPORATED	
	ANGULAR ±1°		MATERIAL NO. SEE TABLE	DOCUMENT NO. SD-501920-001	SHEET NO. 1 OF 2	
	DRAFT WHERE APPLICABLE MUST REMAIN WITHIN DIMENSIONS		THIS DRAWING CONTAINS INFORMATION THAT IS PROPRIETARY TO MOLEX INCORPORATED AND SHOULD NOT BE USED WITHOUT WRITTEN PERMISSION			

10 9 8 7 6 5 4 3 2 1

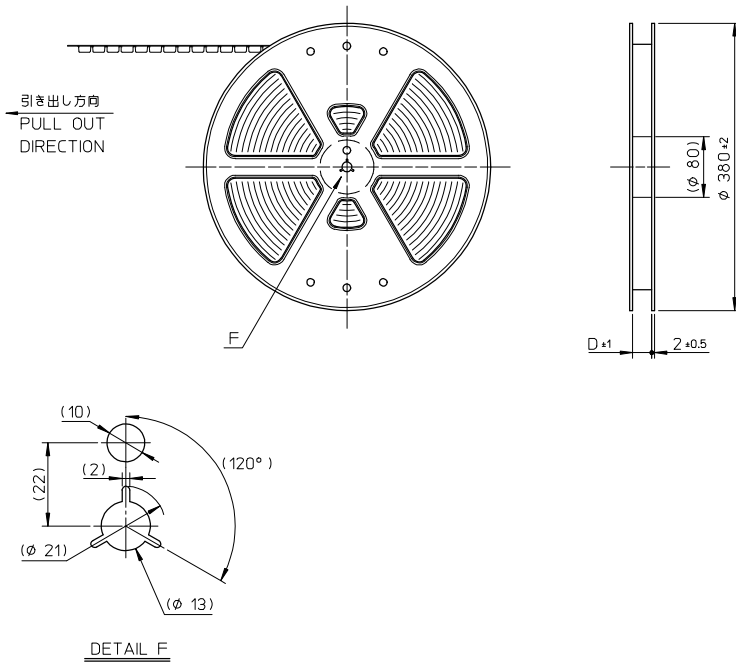


参考基板レイアウト (マウント面)  
RECOMMENDED P.C. BOARD  
PATTERN DIMENSION (REF.)  
(MOUNT AREA) (SCALE 10:1)

配合断面図 (参考)  
MATED DRAWING (REF.)

REVISED EC NO: JZ007-3102 DRAWN: YAOYAGI CHKD: M. SOGAYA APP: R. NIKITA 2007/05/24 2007/05/25 2007/05/25	GENERAL TOLERANCES (UNLESS SPECIFIED)		DIMENSION STYLE MM ONLY		501920-**-09		MODEL NO.
	10 UNDER	± 0.2	DRAWN BY	DATE	SCALE	DESIGN UNITS	THIRD ANGLE PROJECTION
	10 OVER 30 UNDER	± 0.25	M. ISOGAYA	2005/08/17	20:1	METRIC	
	30 OVER	± 0.3	CHECKED BY	DATE	TITLE		
ANGULAR	± 1 °	T. HIRATA	2005/08/17	MOLEX INCORPORATED			
DRAFT WHERE APPLICABLE MUST REMAIN WITHIN DIMENSIONS		APPROVED BY	DATE	MATERIAL NO.	DOCUMENT NO.	SHEET NO.	
		M. SASAO	2005/08/17	SEE SHEET 1	SD-501920-001	2 OF 2	
SIZE A3 THIS DRAWING CONTAINS INFORMATION THAT IS PROPRIETARY TO MOLEX INCORPORATED AND SHOULD NOT BE USED WITHOUT WRITTEN PERMISSION							

10 9 8 7 6 5 4 3 2 1

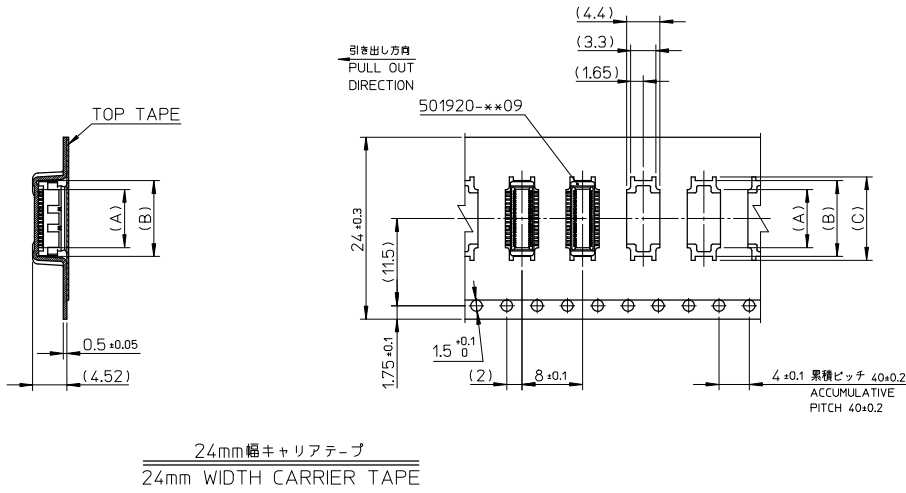


**NOTES**

- 製品詳細寸法については、製品単体図面を御参照下さい。  
For detail of connector dimensions, please see the drawing of connector itself (not packaged)
  - 梱包数量 : 1500 個/リール  
NUMBER OF CONNECTORS : 1500 PCS/REEL
  - リードテープ長さ  
LEAD TAPE LENGTH
- 
- トップテープの剥離強度: 0.1N ~ 1.3N (10gf ~ 130gf)  
(剥離方向は下図参照)  
尚、本規格値は、出荷時に適用。(但し、輸送時に剥離が発生しない事。)  
PEELING OFF FORCE OF TOP TAPE 0.1N~1.3N (10gf~130gf)  
(PEELING DIRECTION AS SHOWN IN FOLLOWING FIG.)  
THIS REQUIREMENT SHOULD BE APPLIED AT SHIPMENT.  
(PEEL OFF SHOULD NOT BE ALLOWED, DURING TRANSPORTATION.)
- 材料  
キャリアテープ : ポリプロピレン  
トップテープ : PET ,PE ,PEF  
リール : ポリスチレン(PS) <リサイクル材を含む>  
MATERIAL  
CARRIER TAPE : POLYPROPYLENE  
TOP TAPE : PET ,PE , PEF  
REEL : POLYSTYRENE(PS) <RECYCLE MATERIAL CONTAINED>

REVISED EC NO.: J2008-2863 DRAWN: KAIHO 2008/01/29 CHKD: SASAO 2008/01/29 APPR: SASAO 2008/02/05	GENERAL TOLERANCES (UNLESS SPECIFIED)		DIMENSION STYLE		501920-**01		MODEL NO.
			MM ONLY		SCALE	DESIGN UNITS	THIRD ANGLE PROJECTION
	10 UNDER ±0.2		DRAWN BY DATE		TITLE		
	10 OVER 30 UNDER ±0.25		M. ISOGAYA 2005/08/18		EMBSTP PKG FOR 0.5 PITCH B/B CONN. PLUG HSG ASSY		
30 OVER ±0.3		CHECKED BY DATE		APPROVED BY DATE		MOLEX INCORPORATED	
ANGULAR ±1 °		T. HIRATA 2005/08/18		M. SASAO 2005/08/18		DOCUMENT NO. SHEET NO.	
DRAFT WHERE APPLICABLE MUST REMAIN WITHIN DIMENSIONS		SEE SHEET 2		SD-501920-002		1 OF 2	
		SIZE A3		THIS DRAWING CONTAINS INFORMATION THAT IS PROPRIETARY TO MOLEX INCORPORATED AND SHOULD NOT BE USED WITHOUT WRITTEN PERMISSION			

10 9 8 7 6 5 4 3 2 1



24	25.4	16.0	15.0	12.67	501920-5001	50
		13.5	12.5	10.17	501920-4001	40
		11.0	10.0	7.67	501920-3001	30
キャリアテープ幅 CARRIER TAPE WIDTH	D	(C)	(B)	(A)	MATERIAL NO.	CIRCUIT

REVISED EC NO. J2008-2863 DRAWN: KAIHO 2008/01/29 CHKD: SASAO 2008/01/29 APPR: SASAO 2008/02/05	GENERAL TOLERANCES (UNLESS SPECIFIED)		DIMENSION STYLE MM ONLY		SCALE 1/1	DESIGN UNITS METRIC	MODEL NO. 501920-**-01	THIRD ANGLE PROJECTION
	10 UNDER	± 0.2	DRAWN BY M. ISOGAYA	DATE 2005/08/18	TITLE EMBSTP PKG FOR 0.5 PITCH B/B CONN. PLUG HSG ASSY			
	10 OVER 30 UNDER	± 0.25	CHECKED BY T. HIRATA	DATE 2005/08/18	MOLEX INCORPORATED			
	30 OVER	± 0.3	APPROVED BY M. SASAO	DATE 2005/08/18	DOCUMENT NO. SD-501920-002			
	ANGULAR ±1°		MATERIAL NO. SEE TABLE		SHEET NO. 2 OF 2			
DRAFT WHERE APPLICABLE MUST REMAIN WITHIN DIMENSIONS		THIS DRAWING CONTAINS INFORMATION THAT IS PROPRIETARY TO MOLEX INCORPORATED AND SHOULD NOT BE USED WITHOUT WRITTEN PERMISSION						