

## Excellent Integrated System Limited

Stocking Distributor

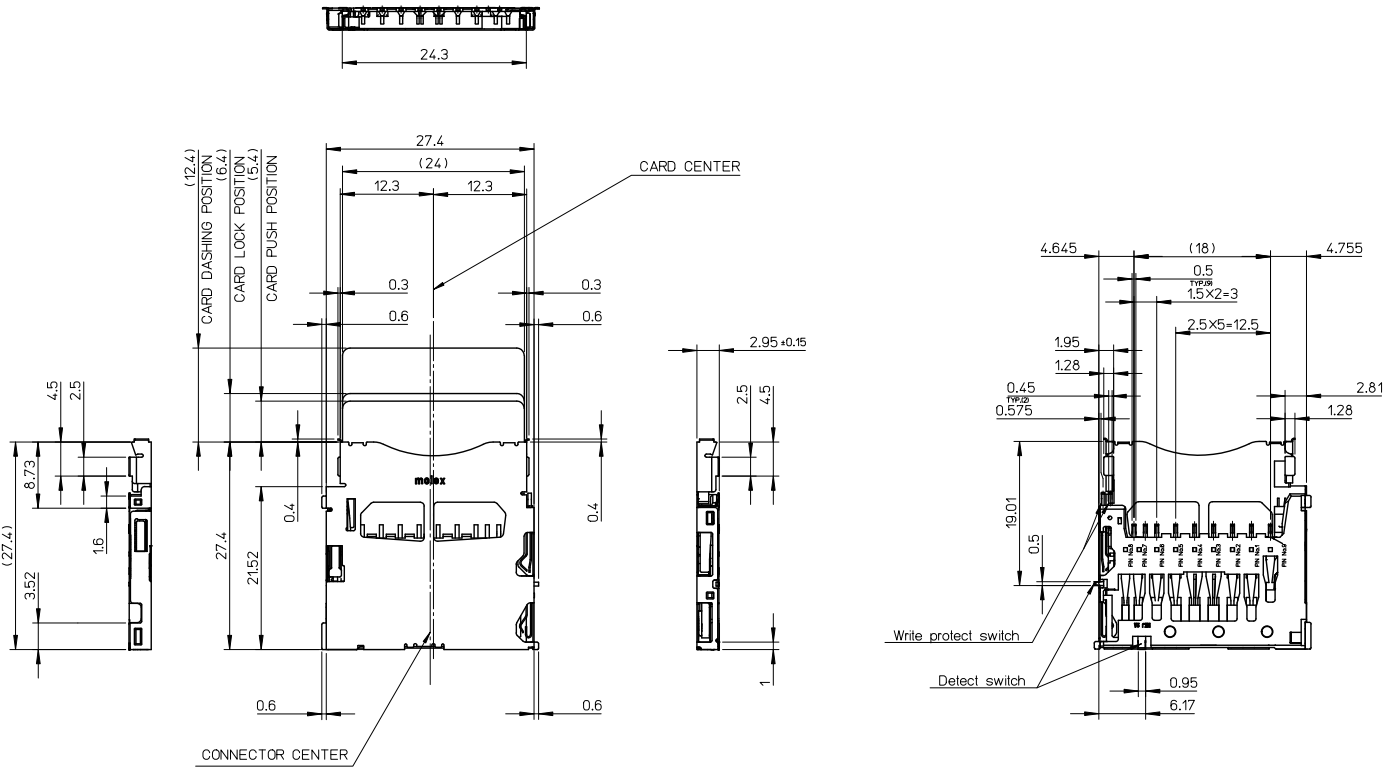
Click to view price, real time Inventory, Delivery & Lifecycle Information:

[Molex Connector Corporation](#)  
[5035000991](#)

For any questions, you can email us directly:

[sales@integrated-circuit.com](mailto:sales@integrated-circuit.com)

CONFIDENTIAL



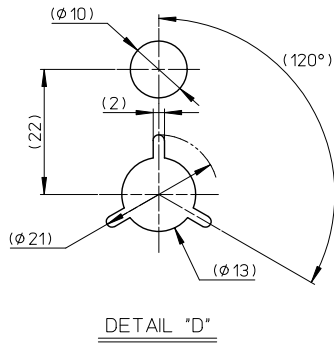
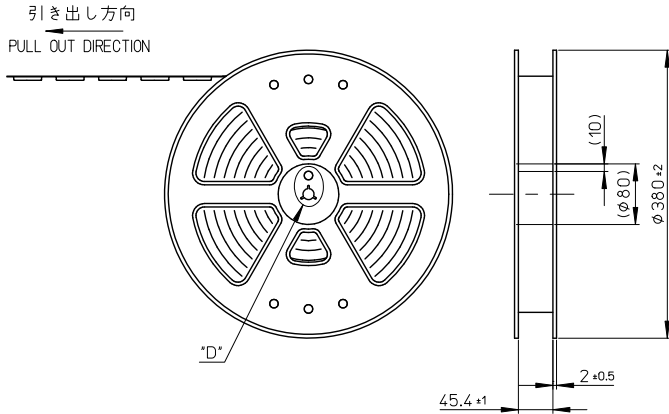
|                                  |          |
|----------------------------------|----------|
| 503500-0991                      | 9        |
| EMBOSSSED TAPE                   | 極数       |
| ORDER No. オーダー番号                 | CIRCUITS |
| CONNECTOR SERIES NO. 503500-**11 |          |

|  |                                       |           |                         |            |   |                                    |
|--|---------------------------------------|-----------|-------------------------|------------|---|------------------------------------|
| REVISED<br>IEC NO. J2010-1552<br>DRAWN: YNAITO 2010/02/01<br>CHIKDANTOMITA 2010/02/01<br>APPR: NUKITA 2010/02/01<br>REV: B | GENERAL TOLERANCES (UNLESS SPECIFIED) |           | DIMENSION STYLE         | SCALE      | DESIGN UNITS  | THIRD ANGLE PROJECTION             |
|  |                                       |           | MM ONLY                 | 2:1        | METRIC  |                                    |
|  | 10 UNDER ± 0.2                        |           | 10 OVER 30 UNDER ± 0.25 | DRAWN BY   | DATE  | TITLE                              |
|  | 30 OVER ± 0.3                         |           | ANGULAR ± 1 °           | YNAITO     | 2009/09/11  | SD CARD CONN.PUSH/PUSH NORMAL ASSY |
| DRAFT WHERE APPLICABLE MUST REMAIN WITHIN DIMENSIONS   |                                       | SEE CHART | CHECKED BY              | DATE       | MATERIAL NO.  | DOCUMENT NO.                       |
|  |                                       | SIZE A3   | MTOMITA                 | 2009/09/11 | MOLEX INCORPORATED  | SD-503500-001                      |
|  |                                       |           | APPROVED BY             | DATE       | THIS DRAWING CONTAINS INFORMATION THAT IS PROPRIETARY TO MOLEX INCORPORATED AND SHOULD NOT BE USED WITHOUT WRITTEN PERMISSION |                                    |
|  |                                       |           | NUKITA                  | 2009/09/11 | SHEET NO. 1 OF 2  |                                    |



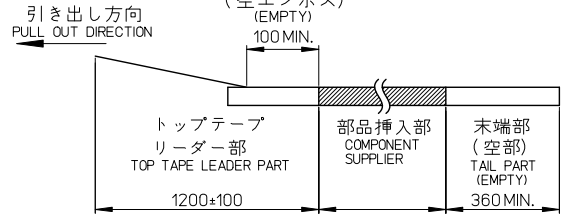
10 9 8 7 6 5 4 3 2 1

CONFIDENTIAL



**NOTES**

1. 製品詳細寸法については、SD 図面を参照下さい。  
RE DETAILED DIMENSION, SEE SALES DRAWING.
2. 梱包数量: 500 個/リール  
NUMBER OF CONNECTORS: 500 PCS/REEL.
3. リードテープ長さ LEAD TAPE LENGTH.  
トップテープ接着部  
TOP TAPE BONDED PART.  
(空エンボス)  
(EMPTY)

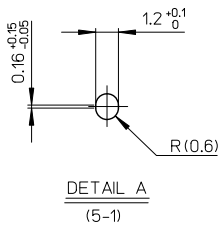
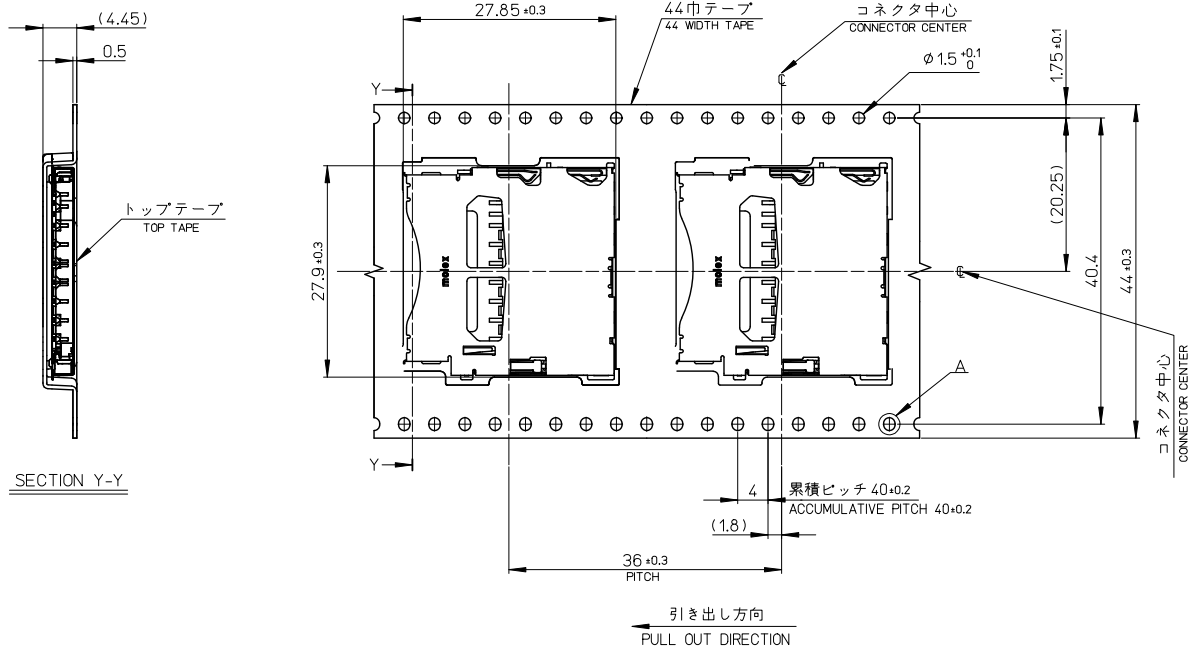


4. 材料 MATERIAL  
キャリアテープ (CARRIER TAPE): ポリスチレン (POLYSTYRENE)  
トップテープ (TOP TAPE): PET, PE, PEF  
リール (REEL): ポリスチレン (PS) <リサイクル材含む>  
POLYSTYRENE (PS) <RECYCLE MATERIAL CONTAINED>
5. ELV 及び RoHS 適合品。  
ELV AND RoHS COMPLIANT

|                                  |          |
|----------------------------------|----------|
| 503500-0991                      | 9        |
| EMBOSSSED TAPE                   | 極数       |
| ORDER No. オーダー番号                 | CIRCUITS |
| CONNECTOR SERIES NO. 503500-**11 |          |

|                             |                   |            |  |                 |   |   |                        |
|-----------------------------|-------------------|------------|--|-----------------|---|---|------------------------|
| REVISED<br>REV. A<br>REV. B | EC NO. J2010-1616 | 2010/02/05 | GENERAL TOLERANCES (UNLESS SPECIFIED)                | DIMENSION STYLE | SCALE   | DESIGN UNITS  | THIRD ANGLE PROJECTION |
|                             | DRWN:YNAITO       | 2010/02/08 | 10 UNDER ± 0.2                                       | MM ONLY         | 4:1   | METRIC  |                        |
|                             | CHKD:MTOMITA      | 2010/02/08 | 10 OVER 30 UNDER ± 0.25                              | DRAWN BY        | DATE  | TITLE   |                        |
|                             | APPR:NUKITA       | 2010/02/08 | 30 OVER ± 0.3  | CHECKED BY      | DATE  | SD CARD CONN.<br>NORMAL PUSH/PUSH<br>EMBOSSSED TAPE PACKAGE |                        |
|                             |                   |            | ANGULAR ± 1 °  | APPROVED BY     | DATE  | Molex   | MOLEX INCORPORATED     |
|                             |                   |            | DRAFT WHERE APPLICABLE MUST REMAIN WITHIN DIMENSIONS | MATERIAL NO.    | DOCUMENT NO.  |   | SHEET NO.              |
|                             |                   |            |  | SEE CHART       | SD-503500-002   |   | 1 OF 2                 |
|                             |                   |            |  | SIZE            | THIS DRAWING CONTAINS INFORMATION THAT IS PROPRIETARY TO MOLEX INCORPORATED AND SHOULD NOT BE USED WITHOUT WRITTEN PERMISSION |   |                        |

CONFIDENTIAL



|   |                                       |              |                  |   |  |                        |  |
|---|---------------------------------------|--------------|------------------|---|--|------------------------|--|
| SEE SHEET 1 OF 2<br>EC NO. J2010-1616<br>DRAWN BY: YNAITO 2010/02/05<br>CHIKIDANTOMITA 2010/02/08<br>APPROVED BY: NUKITA 2010/02/08 | GENERAL TOLERANCES (UNLESS SPECIFIED) |              | DIMENSION STYLE  | SCALE   | DESIGN UNITS   | THIRD ANGLE PROJECTION |  |
|   |                                       |              | MM ONLY          | 4:1   | METRIC   |                        |  |
|   | 10 UNDER                              | ± 0.2        | DRAWN BY         | DATE  | SD CARD CONN.<br>NORMAL PUSH/PUSH<br>EMBOSSED TAPE PACKAGE<br>MOLEX INCORPORATED |                        |  |
|   | 10 OVER 30 UNDER                      | ± 0.25       | YNAITO           | 09/12/25  |  |                        |  |
| 30 OVER   | ± 0.3                                 | CHECKED BY   | DATE             | MOLEX INCORPORATED<br>DOCUMENT NO. SD-503500-002<br>SHEET NO. 2 OF 2  |  |                        |  |
| ANGULAR   | ± 1 °                                 | MTOMITA      | 09/12/25         |   |  |                        |  |
| DRAFT WHERE APPLICABLE MUST REMAIN WITHIN DIMENSIONS  |                                       | APPROVED BY  | DATE             | THIS DRAWING CONTAINS INFORMATION THAT IS PROPRIETARY TO MOLEX INCORPORATED AND SHOULD NOT BE USED WITHOUT WRITTEN PERMISSION |  |                        |  |
|   |                                       | NUKITA       | 09/12/25         |   |  |                        |  |
|   |                                       | MATERIAL NO. | SEE SHEET 1 OF 2 |   |  |                        |  |
|   |                                       | SIZE         | A3               |   |  |                        |  |