

## Excellent Integrated System Limited

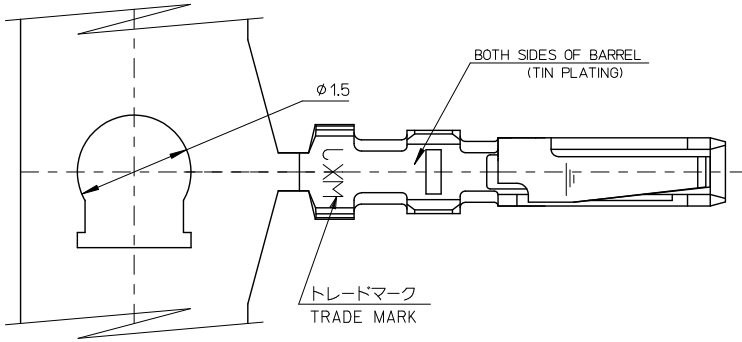
Stocking Distributor

Click to view price, real time Inventory, Delivery & Lifecycle Information:

[Molex Connector Corporation](#)  
[0506418141](#)

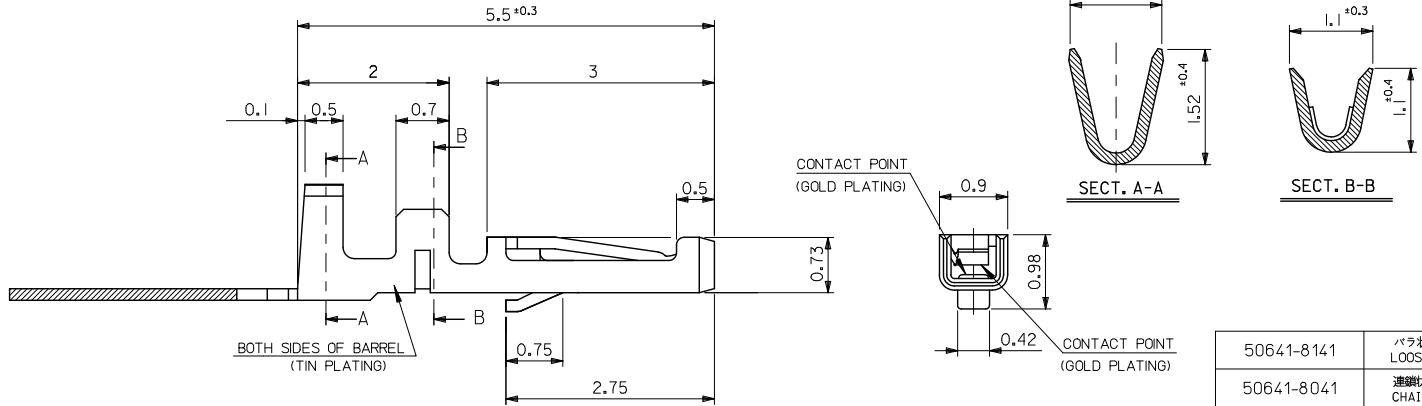
For any questions, you can email us directly:  
[sales@integrated-circuit.com](mailto:sales@integrated-circuit.com)

10 9 8 7 6 5 4 3 2 1



NOTES.

- 適合ハウジング: 51146シリーズ  
APPLICABLE HOUSING: 51146 SERIES
- メッキ仕様 (前メッキ)  
PLATING (PRE-PLATING)  
接点部金メッキ: 0.2 μm MIN.  
CONTACT AREA GOLD PLATING  
バレル外面 錫メッキ: 0.9 μm MIN.  
OUTSIDE OF BARREL TIN PLATING  
下地ニッケルメッキ: 1.0 μm MIN.  
UNDER PLATING NICKEL PLATING
- 本製品はコンタクト部 金メッキ品である。  
THIS PRODUCT IS GOLD PLATING FOR CONTACT POINT.
- 本製品はバレル両面 錫メッキ品である。  
THIS PRODUCT IS TIN PLATING BOTH SIDES A BARREL.
- ELV AND RoHS COMPLIANT.



50641-8141	バラ状 LOOSE
50641-8041	連鎖状 CHAIN
MATERIAL NO.	端子形状 FORM

<b>MATERIAL</b> リン青銅 下地ニッケル、部分金メッキ、錫メッキ品 PHOSPHOR BRONZE t=0.15 SELECTIVE GOLD PLATING SELECTIVE TIN PLATING UNDER NICKEL PLATING	<b>GENERAL TOLERANCES</b> (UNLESS SPECIFIED)	<b>DIMENSION STYLE</b> MM ONLY	<b>SCALE</b> 20:1	<b>DESIGN UNITS</b> METRIC	THIRD ANGLE PROJECTION	<b>TITLE</b> 1.25 W/B CONN CRIMP RECEPTACLE
<b>FINISH</b> SEE NOTE	<b>REVISED</b> REV. NO. J2011-0919 IEC NO. J2011-0919 DRAWN BY 2011/02/08 CHIKO-SAKIYAMA APPROVED BY 2011/05/09 NUKITA	MOLEX INCORPORATED				
<b>WIRE RANGE</b> AWG#28-30	THIS DRAWING CONTAINS INFORMATION THAT IS PROPRIETARY TO MOLEX INCORPORATED AND SHOULD NOT BE USED WITHOUT WRITTEN PERMISSION					
<b>INS. RANGE</b> Ø0.5 - 0.9	EN-02JA(021)					

9 8 7 6 5 4 3 2 1