

Excellent Integrated System Limited

Stocking Distributor

Click to view price, real time Inventory, Delivery & Lifecycle Information:

[Switchcraft Inc.](#)
[953](#)

For any questions, you can email us directly:

sales@integrated-circuit.com

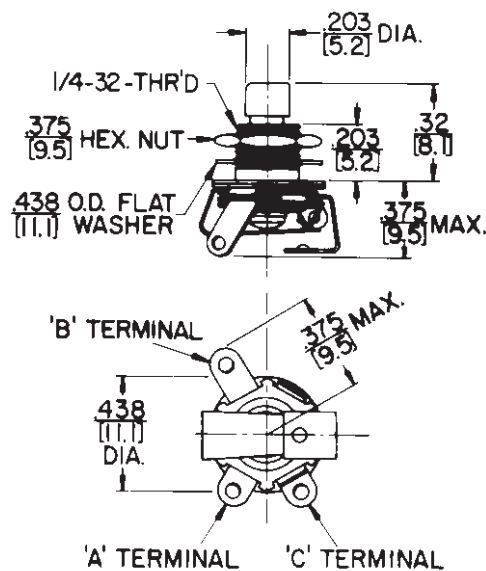
SWITCHCRAFT, INC. 5555 N. Elston Ave.
 Chicago, IL 60630 • 773 792-2700 • FAX: 773 792-2129
 www.switchcraft.com

Tiny-Switch® SWITCHES
SERIES 950, 960

PART NUMBERS

Pushbutton Color/Part Number		Circuit	Schematic
Red	Black		
951	961	1-A, SPST, (N.O.)	
◇ 952	◇ 962	1-B, SPST, (N.C.)	
953	963	1-C, SPDT	

◇ Special order only; contact Switchcraft for price and delivery.



SERIES 950 & 960