

## **Excellent Integrated System Limited**

Stocking Distributor

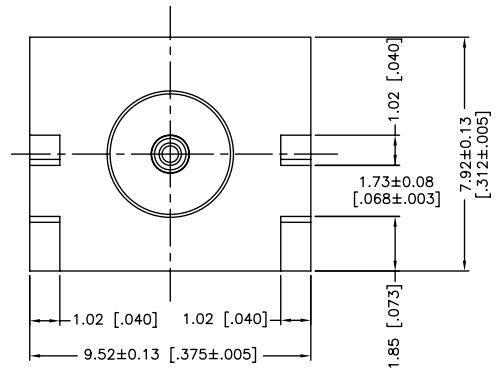
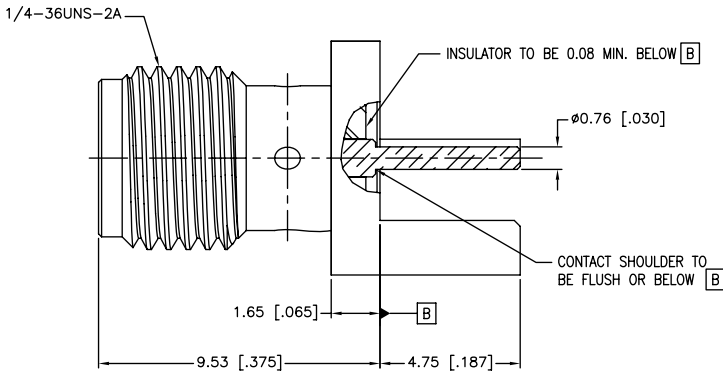
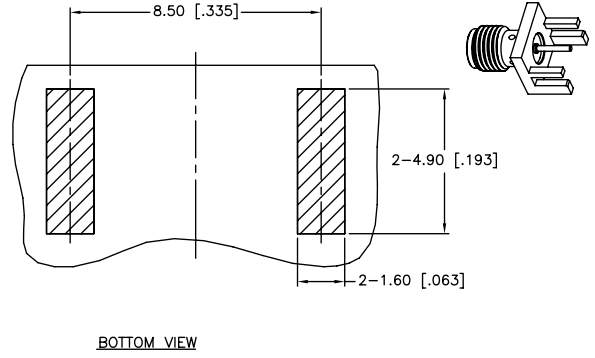
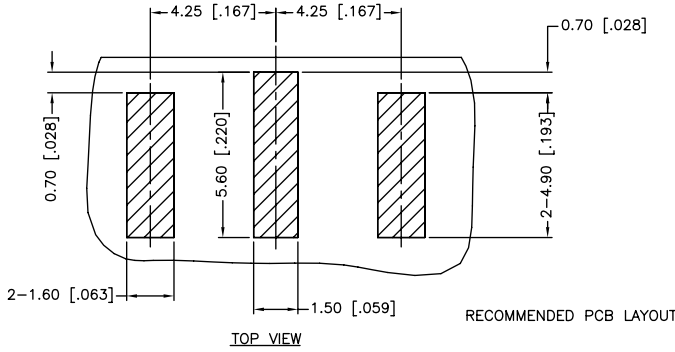
Click to view price, real time Inventory, Delivery & Lifecycle Information:

[Amphenol RF](#)  
[132255-12N](#)

For any questions, you can email us directly:

[sales@integrated-circuit.com](mailto:sales@integrated-circuit.com)

REV.	DATE	ECR NO.	DESCRIPTION
NC	01/09/12	XXXXXX	INITIAL RELEASE



1. IMPEDANCE: 50 OHM
2. FREQUENCY RANGE: DC 0-18 GHZ
3. VSWR: NOT APPLICABLE
4. DIELECTRIC WITHSTANDING VOLTAGE: 1000 VRMS, MIN.
5. BOARD THICKNESS=1.57 MM [0.062"]
6. CONTACT PIN MUST WITHSTAND 6 LBS MIN. AXIAL IN BOTH DIRECTIONS AND 4 IN-OZ MIN. RADIAL FORCE.

UNLESS OTHERWISE SPECIFIED DIMENSIONS ARE IN MILLIMETERS. DIMENSIONS IN [ ] ARE IN INCHES AND FOR CUSTOMER REFERENCE ONLY.

UNLESS OTHERWISE SPECIFIED TOLERANCES FOR MILLIMETERS ARE:  
 0.5 - 8mm ± 0.20mm  
 8 - 30mm ± 0.40mm  
 30 - 120mm ± 0.50mm

UNLESS OTHERWISE SPECIFIED TOLERANCES FOR INCHES ARE:  
 .020 - .315 = ± 0.007"  
 .315 - 1.180 = ± 0.015"  
 1.180 - 4.724 = ± 0.020"

DO NOT SCALE DRAWING

APPROVALS	DATE
DRAWN M.ZHANG	01/09/12
CHECKED	
ISSUED	
SHEET 1 OF 1	
CAD FILE C:/CONNEX/132255-12N.DWG	

**Amphenol Connex**

PART DESCRIPTION	
SMA END LAUNCH RECEPT. JACK, FLUSH FLANGE (.062" BOARD THICKNESS)	
PART NO. 132255-12N	
DWG. NO. 132255-12N.DWG	REV. NC SIZE A SCALE NA

QTY	FINISH	MATERIAL	DESCRIPTION
1	NICKEL	BRASS	BODY
1	NATURAL	PTFE	INSULATOR
1	GOLD	BER. COPPER	CONTACT PIN