

Excellent Integrated System Limited

Stocking Distributor

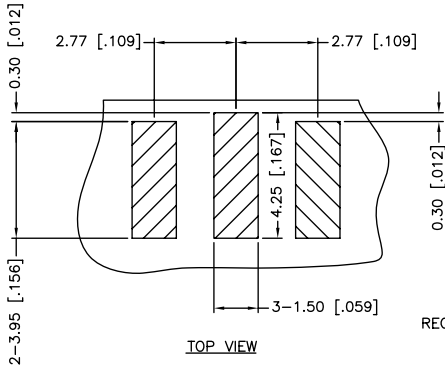
Click to view price, real time Inventory, Delivery & Lifecycle Information:

[Amphenol RF](#)
[132323](#)

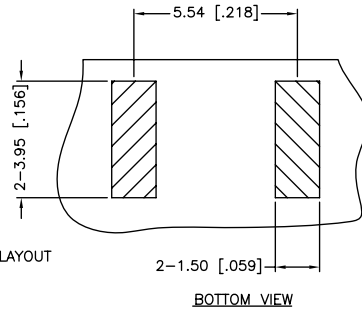
For any questions, you can email us directly:

sales@integrated-circuit.com

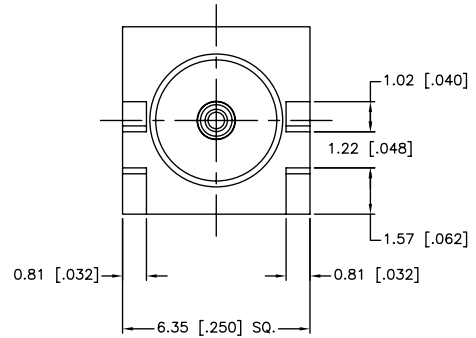
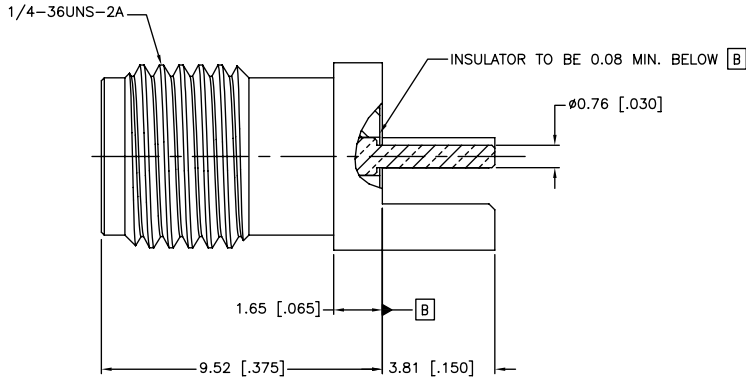
REV.	DATE	ECR NO.	DESCRIPTION
NC	04/02/01	XXXXXX	INITIAL RELEASE
A	02/03/10	2020	ADDED RECOMMENDED PCB LAYOUT
B	07/11/11	2197	CHANGE THE DESCRIPTION TO " SMA END LAUNCH RECEPT. JACK"



RECOMMENDED PCB LAYOUT



BOTTOM VIEW



UNLESS OTHERWISE SPECIFIED DIMENSIONS ARE IN MILLIMETERS. DIMENSIONS IN [] ARE IN INCHES AND FOR CUSTOMER REFERENCE ONLY.

UNLESS OTHERWISE SPECIFIED TOLERANCES FOR MILLIMETERS ARE:
 0.5 - 8mm ± 0.20mm
 8 - 30mm ± 0.40mm
 30 - 120mm ± 0.50mm

UNLESS OTHERWISE SPECIFIED TOLERANCES FOR INCHES ARE:
 .020 - .315 = ± 0.007"
 .315 - 1.180 = ± 0.015"
 1.180 - 4.724 = ± 0.020"

DO NOT SCALE DRAWING

APPROVALS	DATE
DRAWN M.ZHANG	07/11/11
CHECKED	
ISSUED	
SHEET 1 OF 1	
CAD FILE C:/CONNEX/132323.DWG	

Amphenol Connex

PART DESCRIPTION
SMA END LAUNCH RECEPT. JACK (.042" BOARD THICKNESS)
PART NO. 132323
DWG. NO. 132323.DWG
REV. B
SIZE A
SCALE NA

QTY	FINISH	MATERIAL	DESCRIPTION
1	GOLD	BRASS	BODY
1	NATURAL	PTFE	INSULATOR
1	GOLD	BER. COPPER	CONTACT PIN