

Excellent Integrated System Limited

Stocking Distributor

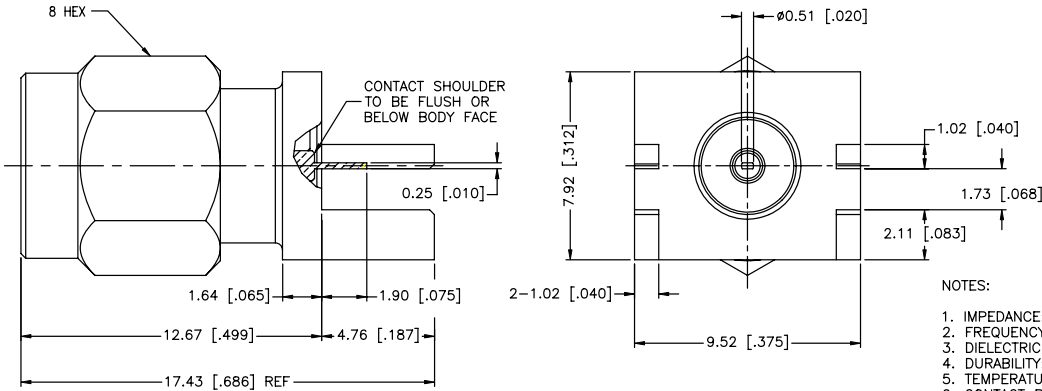
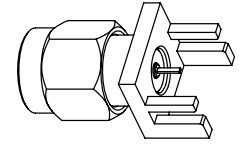
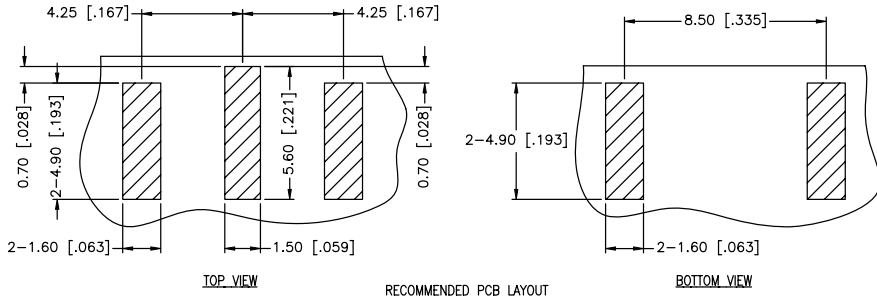
Click to view price, real time Inventory, Delivery & Lifecycle Information:

[Amphenol RF](#)
[132365-10](#)

For any questions, you can email us directly:

sales@integrated-circuit.com

REV.	DATE	ECR NO.	DESCRIPTION
NC	03/24/12	XXXXXX	INITIAL RELEASE



- NOTES:
1. IMPEDANCE: 50 OHM
 2. FREQUENCY RANGE: DC-18 GHZ
 3. DIELECTRIC WITHSTANDING VOLTAGE: 1000 VRMS, MIN.
 4. DURABILITY: 500 CYCLES MIN.
 5. TEMPERATURE RANGE: -65°C TO +165°C
 6. CONTACT PIN MUST WITHSTAND 6 LBS MIN. AXIAL IN BOTH DIRECTIONS AND 4 IN-OZ MIN. RADIAL FORCE.
 7. BOARD THICKNESS=1.57 MM [.062"]

UNLESS OTHERWISE SPECIFIED DIMENSIONS ARE IN MILLIMETERS. DIMENSIONS IN [] ARE IN INCHES AND FOR CUSTOMER REFERENCE ONLY.				APPROVALS	DATE	Amphenol Connex		
6	RETAINING RING	STAINLESS STEEL	NATURAL	1	DRAWN I.XU		PART DESCRIPTION SMA END LAUNCH PLUG RECEPTACLE, FLUSH FLANGE (.062" BOARD THICKNESS), FLAT TAB CONTACT	
5	GASKET	SILICONE RUBBER	RED	1				
4	SHELL	BRASS	GOLD	1	CHECKED	PART NO. 132365-10		
3	CONTACT PIN	BRASS	GOLD	1				
2	INSULATOR	PTFE	NATURAL	1	ISSUED 1 OF 1	DWG. NO. 132365-10		
1	BODY	BRASS	GOLD	1				
UNLESS OTHERWISE SPECIFIED TOLERANCES FOR MILLIMETERS ARE: 0.5 - 8mm ± 0.20mm 8 - 30mm ± 0.40mm 30 - 120mm ± 0.50mm UNLESS OTHERWISE SPECIFIED TOLERANCES FOR INCHES ARE: .020 - .315 = ± 0.007" .315 - 1.180 = ± 0.015" 1.180 - 4.724 = ± 0.020"				DO NOT SCALE DRAWING		REV. NC		
DESCRIPTION				MATERIAL	FINISH	QTY	SIZE A	SCALE NA