



Distributor of CNC Tech: Excellent Integrated System Limited

Datasheet of 1002-003-02000 - Connector Receptacle USB TypeB 2.0 4 Position Through Hole, Right Angle, Horizontal

Contact us: sales@integrated-circuit.com Website: www.integrated-circuit.com

Excellent Integrated System Limited

Stocking Distributor

Click to view price, real time Inventory, Delivery & Lifecycle Information:

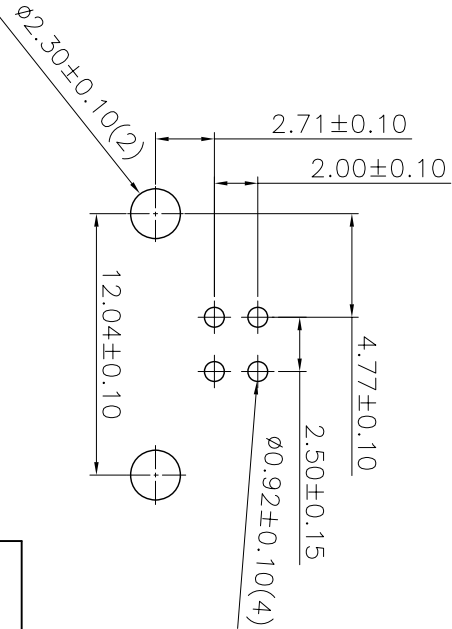
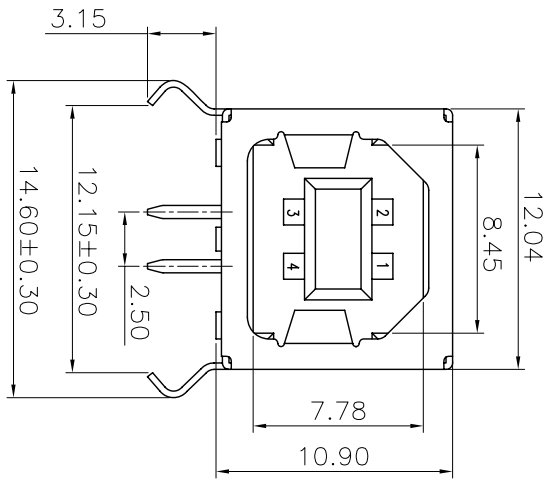
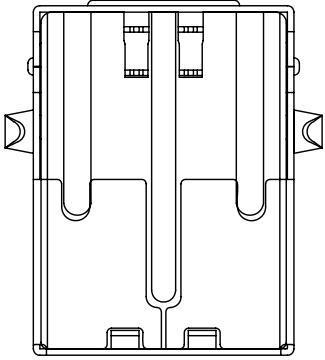
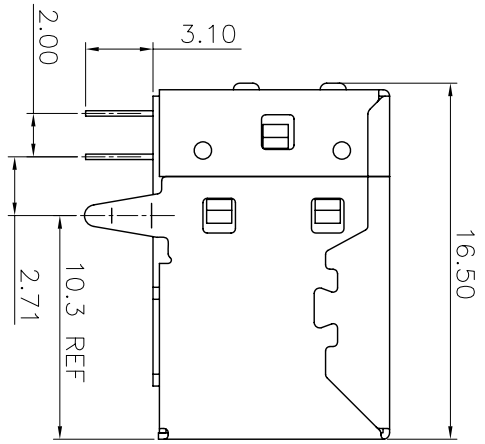
[CNC Tech](#)

[1002-003-02000](#)

For any questions, you can email us directly:

sales@integrated-circuit.com

Contact us: sales@integrated-circuit.com Website: www.integrated-circuit.com

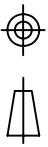


RECOMMENDED P.C.B. PATTERN LAYOUT

NOTE
 MATERIAL: PHOSPHOR BRONZE
 CONTACTS: PBT+30% G.F. UL-0
 INSULATOR: PBT+30% G.F. UL-0
 SHELL : SEE TABLE
 BACKSHELL:SPCC
 MATING: 35N MAX.
 WITHDRAWAL FORCE:10N MIN.
 DURABILITY:1500 CYCLES MIN.
 CURRENT-MAX[AMPS] 1.5A
 VOLTAGE-MAX[VOLTS] 30V
 WITHSTANDING VOLTAGE 500V AC
 CONTACT RESISTANCE 30M Ω MAX.
 INSULATION RESISTANCE 1000M Ω MIN.
 CONTACTS: PLATED SEE TABLE
 SHELL: NICKEL OVER ALL PLATING
 TEMPERATURE RANGE -55°C~+85°C

Cnc Tech,LLC

-TOLERANCES-
 UNLESS OTHERWISE SPECIFIED



TITLE: USB BF 90 DIP 铜壳
 后盖无缺口30U 成品

X.X ±0.38	X.X° ±2°	APPD:	PRODUCT NO: 1002-003-02000
X.XX ±0.25	X.XX° ±1°	CHECK:	DATE SCALE UNIT TYPE
X.XXX ±0.13	X.XXX° ±0.5°	DRAW:	2010.01.15 FREE MM Z

REV	ECN:NO:	B Y	D
A2	NEW-DWG	ING	10/