

Excellent Integrated System Limited

Stocking Distributor

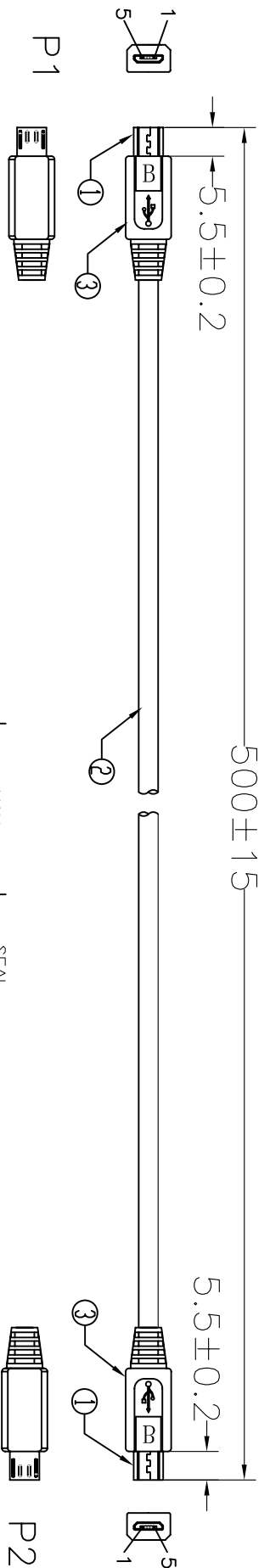
Click to view price, real time Inventory, Delivery & Lifecycle Information:

[CNC Tech](#)
[102-1082-BL-00050](#)

For any questions, you can email us directly:

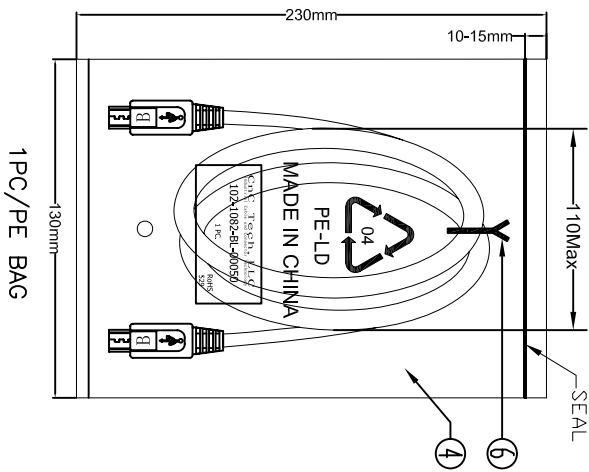
sales@integrated-circuit.com

UNIT:mm



PIN ASSIGNMENT	
P1	P2
1	1
2	2
3	3
4	4
5	5
SHELL	SHELL

Electrical test:
 1. 100% short, open, miswire test
 2. Conduct resistance: 2 Ohm(max)
 3. Insulation resistance: 10Mohm(min)
 4. dielectric test: DC 300V



NO.	TIE	NAME	Q'TY	SPECIFICATION
⑥	1	BLACK L=60mm		
⑤	1/10	CLEAR SIZE: 280*330*0.05mm PRINT BLACK*MADE IN CHINA*+10PCS*及印生产周期,有透气孔.		
④	1	PE BAG		CLEAR SIZE: 130*230*0.05mm PRINT BLACK*MADE IN CHINA*+1PC*及印生产周期,有透气孔.
③	12g	OUT JACKET		BLACK PVC-40P (MOULD NO:WM-116)
②	1	CABLE		USB2.0 UL2725 [28AWG(7/0.12TC+AL)*1P+28AWG(7/0.12TC)*2C]+AEB(48B TC) JACKET:BLACK OD:3.5mm L=490±5mm
①	2	CONN		MICRO USB 5P B/M SOLDER TYPE SHELL:NICKEL PIN:G/F INSULATOR COLOR:BLACK

CNC Tech, LLC			
Industrial Cable and Connector Technology			
DRAWN	ZHONGHS	DRAWING NO	
CHECKED		CUSTOMER	
APPROVAL		ITEM NO.	102-1082-BL-0005
DECIDED		DATE	2012-02-16
VERSIONS/EDITION	A/0	PROJECTION	