

## Excellent Integrated System Limited

Stocking Distributor

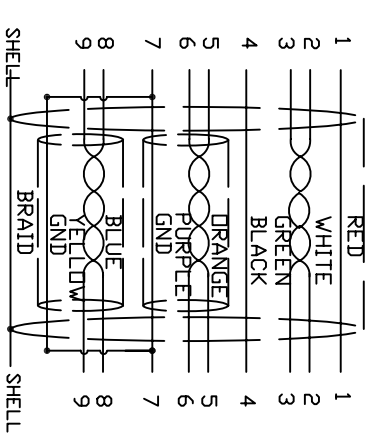
Click to view price, real time Inventory, Delivery & Lifecycle Information:

[CNC Tech](#)  
[103-1030-BL-00300](#)

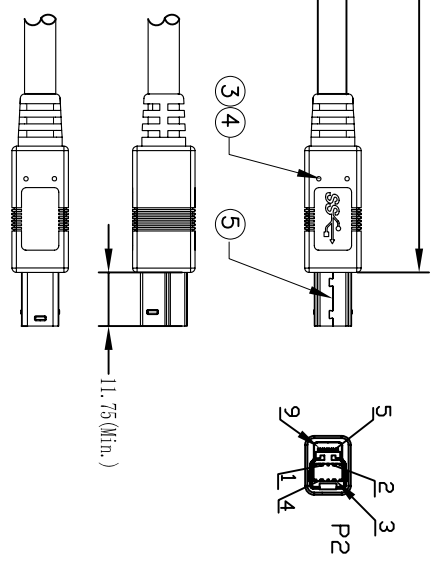
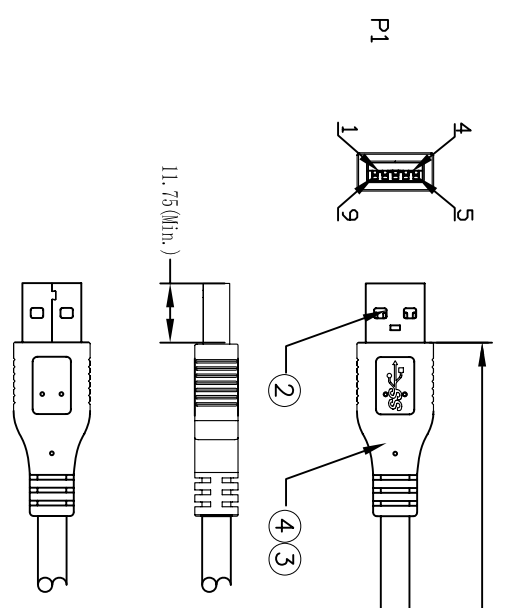
For any questions, you can email us directly:

[sales@integrated-circuit.com](mailto:sales@integrated-circuit.com)

5	CONN	USB3.0 B MALE G/F BLUE	1	P2
4	PVC	45P PVC BLACK OVERMOLD	25g	
3	PE	LLDPE 500026 6201	1kg	
2	CONN	USB3.0 A/M G/F BLUE	1	P1
1	CABLE	《28AWG (7/0.12TC) *IP+D(7/0.10TC)+AL+M》*2+28AWG (7/0.12TC) *IP+24AWG(7/0.2TC)*2C+A+D+B (96/0.12AM) ODS.5 BLACK	1	3000mm
NO.	PART NO.	DESCRIPTION	QTY	UNIT/REF
		BILL OF MATERIAL		



1. Wiring Diagram.



2. Cable test condition :

- Open / Short : 100%
  - Insulation resistance : 5M ohms
  - Contact resistance : 2 ohm
  - Hipot : DC 300V / 1 sec
- 3 Each pcs with PE polybag.

A	INITIAL RELEASE	2014/08/28
REVISION#	DESCRIPTION	DATE
<b>Cnc Tech, LLC</b>		
DRAWN: WENC	DATE: 08/24/14	REV: A
CHECKED: EDWIN	DATE: 08/24/14	CUSTOMER: P/N:
APPROVAL:		CABLE USB3.0 AM TO B/M
		SHEET 1 OF 1