

Excellent Integrated System Limited

Stocking Distributor

Click to view price, real time Inventory, Delivery & Lifecycle Information:

[CNC Tech](#)

[800-1401-2-SJT0-BL-00200](#)

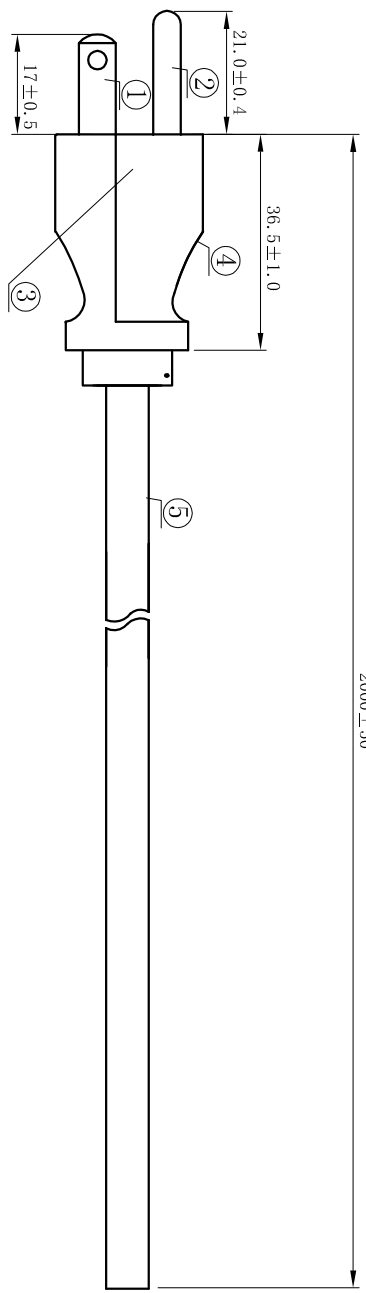
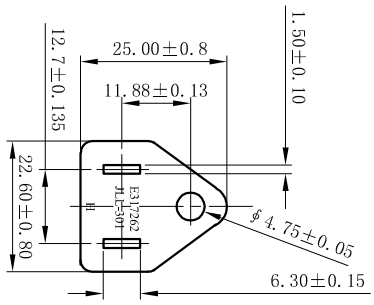
For any questions, you can email us directly:

sales@integrated-circuit.com

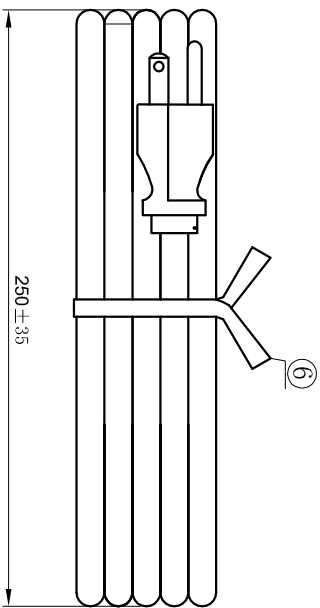
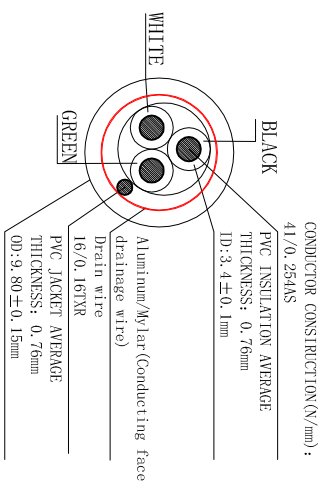
CnC Tech, LLC
 Industrial Cable and Connector Technology

Engineer drawing

PART NO.	JLL-301	WIRE	SCALE	1 : 1
DESCRIPTION	SJT#14*3C 105C SHIELDED		UNIT:	mm
DWG. No.	800-1401-2-SJT0-BL-00200			



2000±50



- NOTES:**
- 1) JACKET COLOR: BLACK
 - 2). E-GREEN; L-BLACK ; N-WHITE
- TESTING:**
- 1) 100% OPEN & SHORT TESTING
 - 2) INSULATION RESISTANCE: 100M ohm (min)
 - 3) VOLTAGE: DC500V/Lmin
 - 4) ROHS COMPLIANT

Printing the contents of wire	The use of printing ink replenish wire
E243711 (UL) SJT 3X14AWG(2.08mm ²) VW-1 SHIELDED 105°C 300V CSA 228191 S JT 3X14AWG(2.08mm ²) FT2 SHIELDED 105°C 300V -10-	

REV	DATE	DESCRIPTION	SYMBOL
DRAWN/DATE	CHECKED/DATE	GONG/11.05.17	
CAL/10.11.04			

NO.	SPECIFICATION	COLOR	MATERIAL	AMOUNT
①	Load terminals 98661	Silver	Cu	2P
②	Grounding terminal 97475	Silver	Cu	1P
③	Model aircraft 8661AW-3P	WHITE	PBT	1PCS
④	Plug JLL-301	BLACK	PVC Cu	1PCS
⑤	Wire SJT 14AWG/3C 105°C	BLACK	PVC Cu	1PCS
⑥	Ties	BLACK		1PCS