

Excellent Integrated System Limited

Stocking Distributor

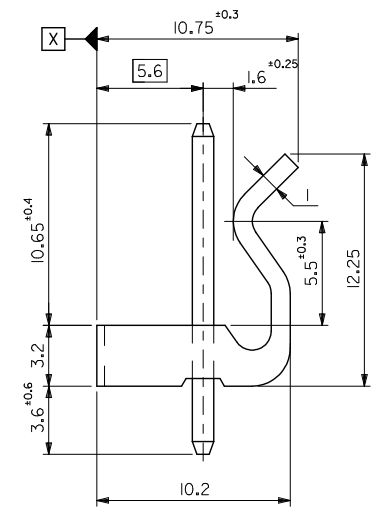
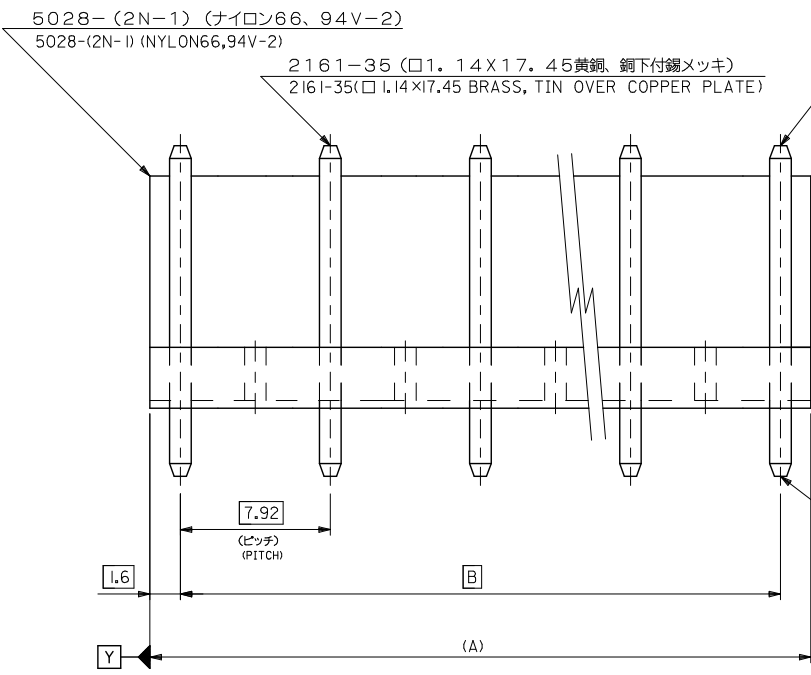
Click to view price, real time Inventory, Delivery & Lifecycle Information:

[Molex Connector Corporation](#)
[0010634057](#)

For any questions, you can email us directly:

sales@integrated-circuit.com

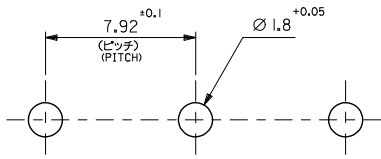
10 9 8 7 6 5 4 3 2 1



注記
NOTE

ウェハーのそりは、長さ25.4に対して0.24最大。
CAMBER OF WAFER MUST BE 0.24mm MAX. PER 25.4mm.

39.6	42.8	10-63-4067	5096-06C	6
31.68	34.88	10-63-4057	5096-05C	5
23.76	26.96	10-63-4047	5096-04C	4
15.84	19.04	10-63-4037	5096-03C	3
7.92	11.12	10-63-4027	5096-02C	2
B	(A)	EDP.NO.	MATERIAL NO.	NO. OF CTS.



基板取付穴推奨寸法
RECOMMENDED PC BOARD HOLE DIMENSION

REVISED IEC NO. J2014-1224 DRAWN: TAJIYAMA 2014/02/04 CHIKUDASAKAWA 2014/02/10 APPROX: KIKITA 2014/02/10	GENERAL TOLERANCES (UNLESS SPECIFIED)		DIMENSION STYLE MM ONLY	SCALE 5:1	DESIGN UNITS METRIC	MODEL NO. 5096-NC
	10 UNDER ± 0.2	10 OVER 30 UNDER ± 0.25	DRAWN BY M. HARA	DATE '96/6/20	TITLE KK7.92 WAFER ASSY WITH LOCK	
	30 OVER ± 0.3	ANGULAR ± 3 °	CHECKED BY M. FUKUSHIMA	DATE '96/6/20	APPROVED BY M. ENOMOTO	
	DRAFT WHERE APPLICABLE MUST REMAIN WITHIN DIMENSIONS		MATERIAL NO.	DOCUMENT NO. SD-5096-001	SHEET NO. 1 OF 1	

SEE TABLE

THIS DRAWING CONTAINS INFORMATION THAT IS PROPRIETARY TO MOLEX INCORPORATED AND SHOULD NOT BE USED WITHOUT WRITTEN PERMISSION

9 8 7 6 5 4 3 2