

## Excellent Integrated System Limited

Stocking Distributor

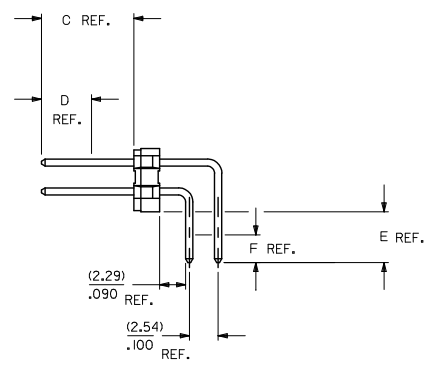
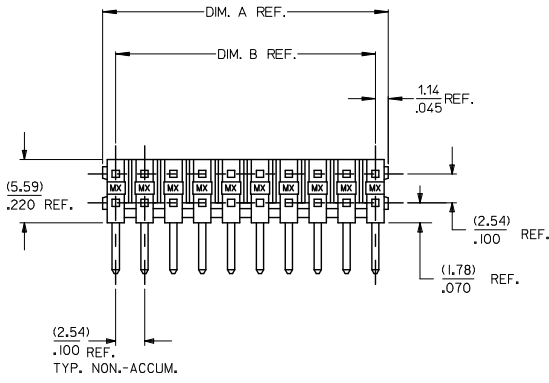
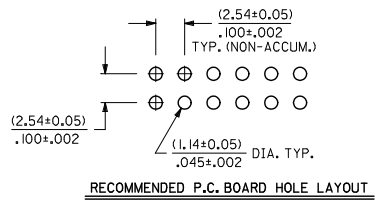
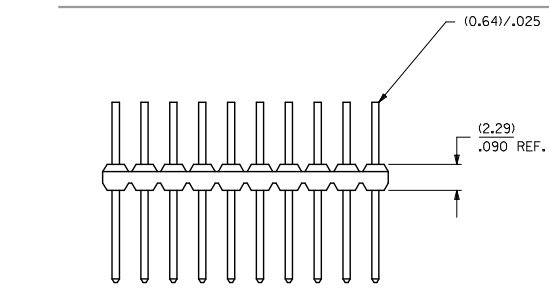
Click to view price, real time Inventory, Delivery & Lifecycle Information:

[Molex Connector Corporation](#)  
[0010894263](#)

For any questions, you can email us directly:

[sales@integrated-circuit.com](mailto:sales@integrated-circuit.com)

| CKT. SIZE | DIM. A |       | DIM. B |       |
|-----------|--------|-------|--------|-------|
|           | MM     | INCH  | MM     | INCH  |
| 04        | 4.83   | .190  | 2.54   | .100  |
| 06        | 7.37   | .290  | 5.08   | .200  |
| 08        | 9.91   | .390  | 7.62   | .300  |
| 10        | 12.45  | .490  | 10.16  | .400  |
| 12        | 14.99  | .590  | 12.70  | .500  |
| 14        | 17.53  | .690  | 15.24  | .600  |
| 16        | 20.07  | .790  | 17.78  | .700  |
| 18        | 22.61  | .890  | 20.32  | .800  |
| 20        | 25.15  | .990  | 22.86  | .900  |
| 22        | 27.69  | 1.090 | 25.40  | 1.000 |
| 24        | 30.23  | 1.190 | 27.94  | 1.100 |
| 26        | 32.77  | 1.290 | 30.48  | 1.200 |
| 28        | 35.31  | 1.390 | 33.02  | 1.300 |
| 30        | 37.85  | 1.490 | 35.56  | 1.400 |



- NOTES:
- MATERIAL: WAFER - GLASS-FILLED POLYESTER, 94V-0; COLOR: BLACK.  
PINS - COPPER ALLOY
  - FINISH:
    - TIN - 0.00381/0.000150 MINIMUM TIN OVER 0.00127/0.000050 MINIMUM NICKEL OVERALL.
    - 15 GOLD - 0.00038/0.000015 MINIMUM GOLD PLATE IN SELECTED AREA AND 0.00191/0.000075 MINIMUM TIN IN SELECTED AREA OVER 0.00127/0.000050 MINIMUM NICKEL OVERALL.
    - 30 GOLD - 0.00076/0.000030 MINIMUM GOLD PLATE IN SELECTED AREA AND 0.00191/0.000075 MINIMUM TIN IN SELECTED AREA OVER 0.00121/0.000050 MINIMUM NICKEL OVERALL.
  - PRODUCT SPECIFICATION: PS-70216.
  - PACKAGING SPECIFICATION: FOR 4 THROUGH 8 CIRCUIT PARTS, SEE PK-70873-0353. FOR 10 CIRCUITS AND OVER, SEE PK-70873-0075.
  - PIN PUSHOUT FORCE: 3 LBS. MINIMUM.
  - FOR ILLUSTRATION PURPOSES, 20 (DUAL 10) CIRCUIT SIZE WAFER IS SHOWN.
  - PINS MUST MEET SOLDERABILITY SPEC. SMES-152.
  - WAFER TO BE FLAT WITHIN (0.03 MM/CM) OR .003 IN./IN.
  - THIS PART CONFORMS TO CLASS B REQUIREMENTS OF COSMETIC SPECIFICATION PS-45499-002.

|   |                       |                                       |                 |   |              |  |
|---|-----------------------|---------------------------------------|-----------------|---|--------------|--|
| PIN PUSHOUT FORCE<br>EC NO: UCP2015-2835<br>DR/WR/K/PP/ER<br>CH/K/BR/ANDERSON<br>APPR/S/SM/TH<br>2013/07/17<br>2013/07/17<br>2013/09/27 | QUALITY SYMBOLS       | GENERAL TOLERANCES (UNLESS SPECIFIED) | DIMENSION STYLE | SCALE   | DESIGN UNITS | THIRD ANGLE PROJECTION   |
|   | ▽=0                   | mm INCH                               | MM/IN           | 4:1   | INCH         | THIRD ANGLE PROJECTION   |
|   | ▽=0                   | 4 PLACES ± --- ± ---                  | DRAWN BY DATE   | DATE  | TITLE        | RT. ANG. WAFER ASS'Y<br>2.54/.100 GRID, DUAL ROW<br>BREAKAWAY 0.64/.025 PINS<br><b>molex</b><br>SD-70216-001 |
|   | ▽=0                   | 3 PLACES ± --- ± .005                 | CHECKED BY DATE | DATE  | DOCUMENT NO. |  |
| ▽=0   | 2 PLACES ± 0.13 ± .01 | APPROVED BY DATE                      | DATE            | SHEET NO.   | 1 OF *       |  |
| ▽=0   | 1 PLACE ± 0.25 ± ---  | SMILLER 2010/10/06                    | MATERIAL NO.    | THIS DRAWING CONTAINS INFORMATION THAT IS PROPRIETARY TO MOLEX INCORPORATED AND SHOULD NOT BE USED WITHOUT WRITTEN PERMISSION |              |  |