

Excellent Integrated System Limited

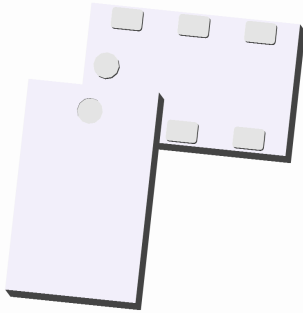
Stocking Distributor

Click to view price, real time Inventory, Delivery & Lifecycle Information:

[Anaren](#)
[C3337J5003AHF](#)

For any questions, you can email us directly:
sales@integrated-circuit.com

Xinger[®]



**Ultra Low Profile 0805
3 dB, 90° Hybrid Coupler**

Description

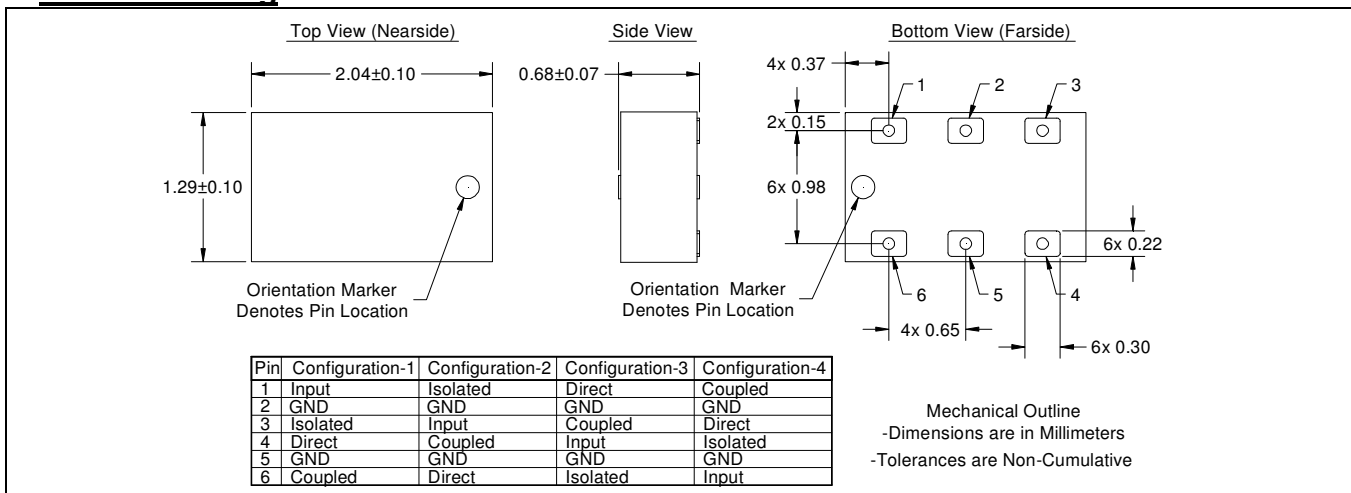
The C3337J5003AHF is a low cost, low profile sub-miniature high performance 3 dB coupler in an easy to use surface mount package. It is designed for LTE, WiMax and WiBro applications. The C3337J5003AHF is ideal for balanced power and low noise amplifiers, plus signal distribution and other applications where low insertion loss and tight amplitude and phase balance are required. The C3337J5003AHF is available on tape and reel for pick and place high volume manufacturing.

All of the Xinger components are constructed from ceramic filled PTFE composites which possess excellent electrical and mechanical stability. All parts have been subjected to rigorous qualification testing and units are 100% RF tested.

Detailed Electrical Specifications: Specifications subject to change without notice.

| Features: | Parameter | ROOM (25°C) | | | | | | |
|----------------------------|---------------------------------|-------------|-------|------|------|------|------|---------|
| | | Min. | Typ. | Max | Min. | Typ. | Max | Unit |
| • 3070 – 3805 MHz | Frequency | 3300 | | 3700 | 3070 | | 3805 | MHz |
| • 0.7mm Height Profile | Port Impedance | | 50 | | | 50 | | Ω |
| • High Isolation, Low Loss | Return Loss | 15 | 18 | | 15 | 18 | | dB |
| • LTE Bands: 22, 42, 43 | Isolation | 18 | 22 | | 18 | 22 | | dB |
| • WiMax WiBro Applications | Insertion Loss | | 0.2 | 0.3 | | 0.2 | 0.4 | dB |
| • Surface Mountable | Amplitude Balance | | 0.3 | 1 | | 0.3 | 1.2 | dB |
| • Tape & Reel | Phase Balance (relative to 90°) | | 3 | 7 | | 4 | 7 | Degrees |
| • Non-conductive Surface | Group Delay | 0.05 | 0.055 | 0.06 | 0.05 | 0.06 | 0.07 | ns |
| • RoHS Compliant | Power Handling (85°C) | | | 4 | | | 4 | Watts |
| • Halogen-Free | Power Handling (105 °C) | | | 3 | | | 3 | Watts |
| • 100% RF Tested | Operating Temperature | -55 | | 105 | -55 | | 105 | °C |
| • -55°C to 105°C | | | | | | | | |

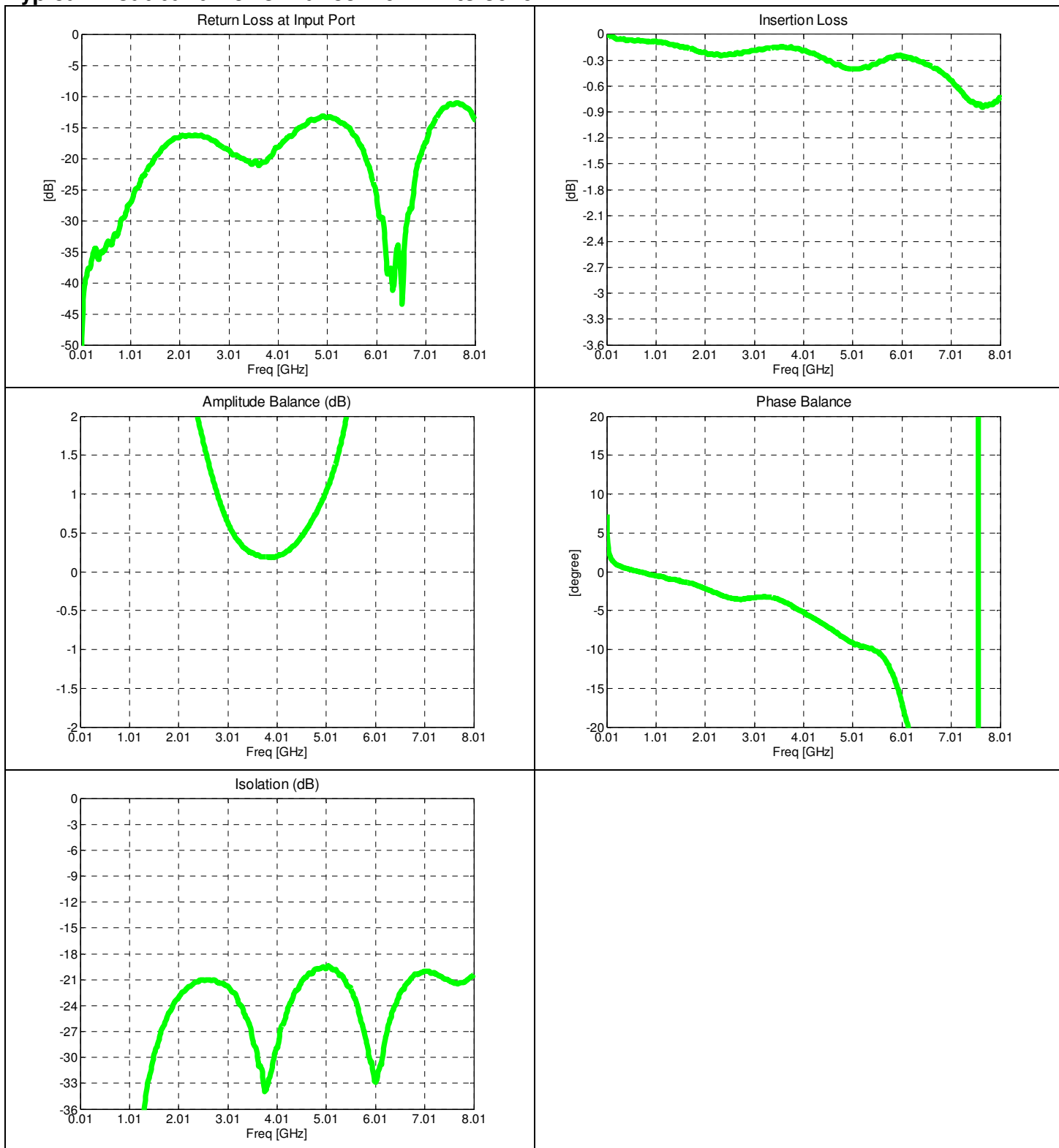
Outline Drawing



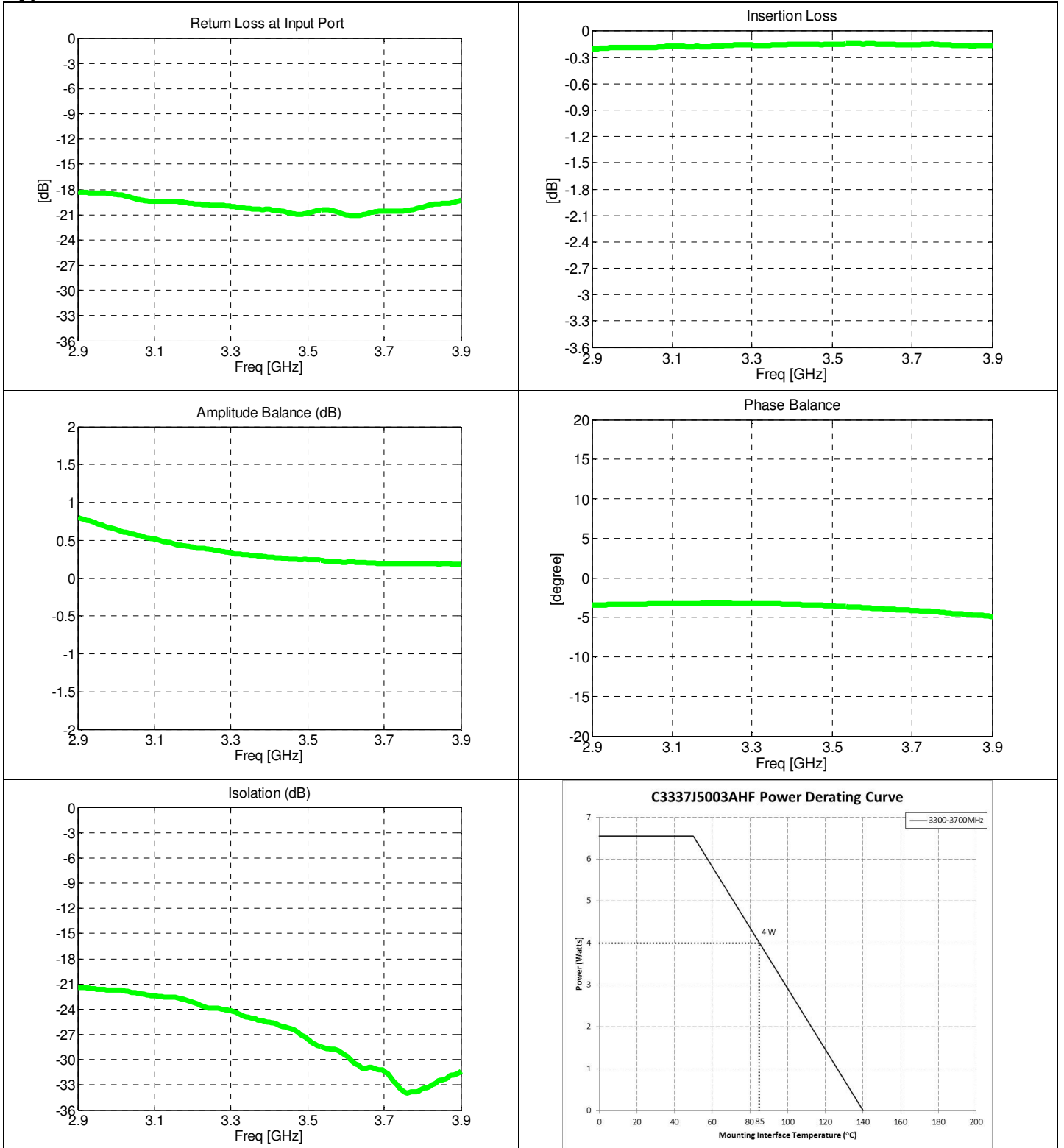
Model C3337J5003AHF

Rev F

Typical Broadband Performance: 10 MHz to 8010 MHz



Typical Performance: 2900 MHz to 3900 MHz



Model C3337J5003AHF

Rev F

Definition of Measured Specifications

| Parameter | Definition | Mathematical Representation <i>i, j, k, m</i> is denoted as the port index of input, isolated, direct and coupled port for specific pin configuration shown in the table |
|--------------------------|---|---|
| Return Loss | The impedance match of the coupler to a 50Ω system. Return Loss is an alternate means to express VSWR. | $20 \log_{10}(S_{ii})$ |
| Isolation | The input power divided by the sum of the power at the two output ports. | $20 \log_{10} S_{ji} $ |
| Insertion Loss | The input power divided by the sum of the power at the two output ports. | $10 \log_{10} (S_{mi} ^2 + S_{ki} ^2)$ |
| Amplitude Balance | The difference in power between the two outputs. | $20 \log_{10} \left(\frac{ S_{ki} }{ S_{mi} } \right)$ |
| Phase Balance | The difference in phase angle between the two output ports. | $\angle S_{ki} - \angle S_{mi} + 90^\circ$ |
| Group Delay | Group delay is defined as the average of the mean group delay of the coupling path and the mean group delay of the direct path. | Group delay (ns) = $\frac{Mean(GD(S_{mi})) + Mean(GD(S_{ki}))}{2}$ where " <i>Mean</i> " is the arithmetic mean of the group delay over a frequency band. |

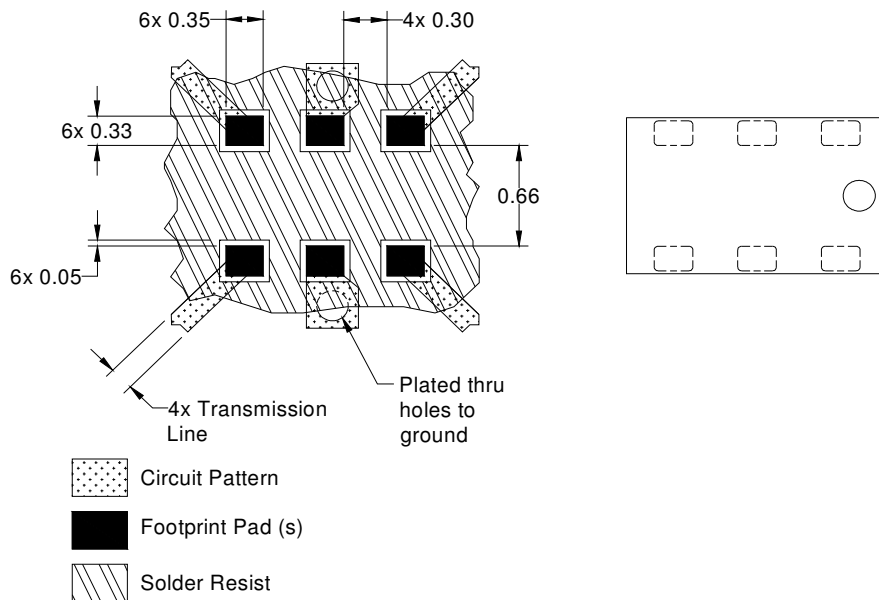
*100% RF test is performed per spec definition for pin configuration 1 and port 1 (input port) is connected to pin1, port 2 (isolated port) is connected to pin 3, port 3 (direct port) is connected to pin 4 and port 4 (isolated) is connected to pin 6.

Mounting Configuration:

In order for Xinger surface mount components to work optimally, the proper impedance transmission lines must be used to connect to the RF ports. If this condition is not satisfied, insertion loss, Isolation and VSWR may not meet published specifications.

All of the Xinger components are constructed from organic PTFE based composites which possess excellent electrical and mechanical stability. Xinger components are compliant to a variety of ROHS and Green standards and ready for Pb-free soldering processes. Pads are Gold plated with a Nickel barrier.

An example of the PCB footprint used in the testing of these parts is shown below. In specific designs, the transmission line widths need to be adjusted to the unique dielectric coefficients and thicknesses as well as varying pick and place equipment tolerances.



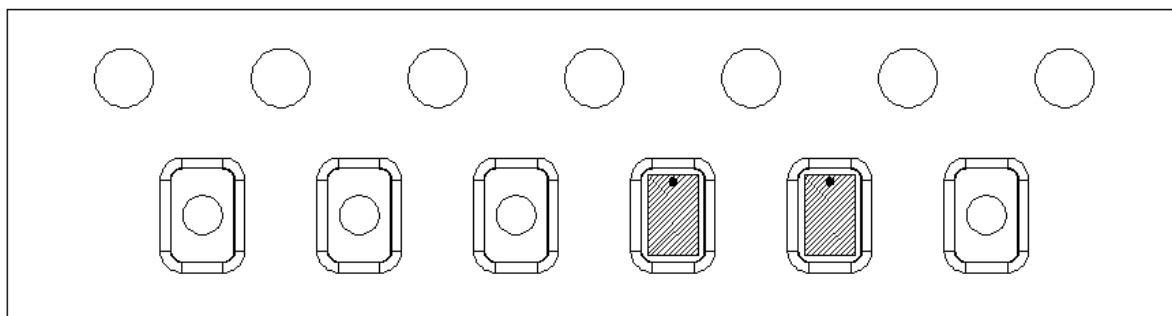
Dimensions are in Millimeters
 Mounting Footprint

Model C3337J5003AHF

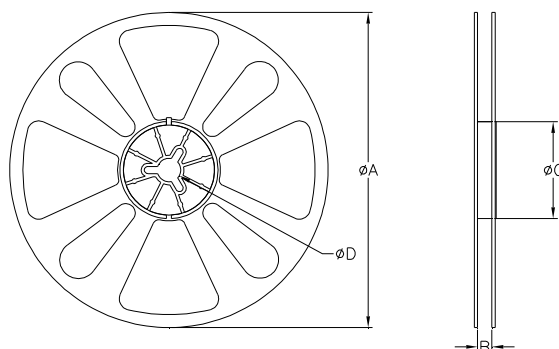
Rev F

Packaging and Ordering Information

Parts are available in reel and are packaged per EIA 481-D. Parts are oriented in tape and reel as shown below. Minimum order quantities are 4000 per reel.



Direction of
Part Feed
(Unloading) →



| TABLE 1 | | |
|---------------|--------------------|--------|
| QUANTITY/REEL | REEL DIMENSIONS mm | |
| 4000 | ϕA | 177.80 |
| | B | 8.00 |
| | ϕC | 50.80 |
| | ϕD | 13.00 |