

## Excellent Integrated System Limited

Stocking Distributor

Click to view price, real time Inventory, Delivery & Lifecycle Information:

[Tamura](#)  
[PFT6-38](#)

For any questions, you can email us directly:

[sales@integrated-circuit.com](mailto:sales@integrated-circuit.com)

REV. Status  
 REVISION -  
 04/06/00 TS

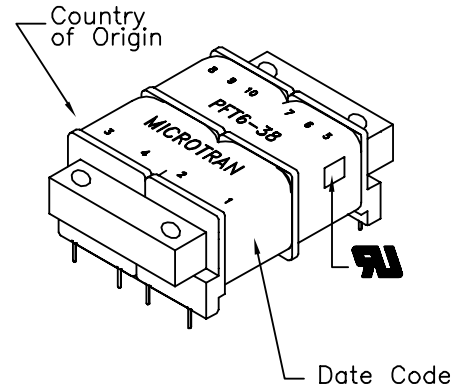
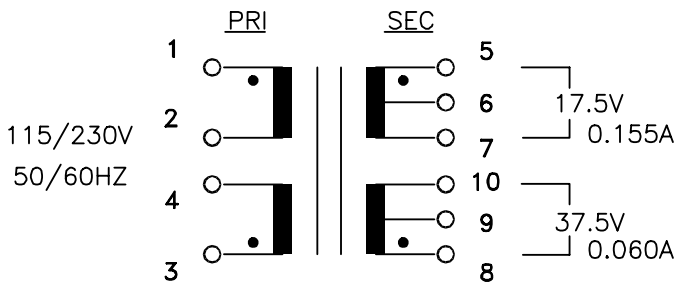
LOW PROFILE THREE FLANGE 6VA POWER TRANSFORMER APPROVED TO UL506

- A. Electrical Specifications (@ 25°C)
1. Input Voltage and Frequency; 115/230V 50/60Hz
  2. Output Voltage; 17.5VCT ±5% @ 0.155A  
37.5VCT ±5% @ 0.060A
  3. Output Power; 6VA
  4. Insulation Resistance;  
100MΩ MIN @ 500VDC, Pri to Sec, Pri to Core, Sec to Core
  5. Hi-Pot;  
1500Vrms 1 minute @ Pri to Sec, Pri to Core  
1500Vrms 1 minute @ Sec to Core

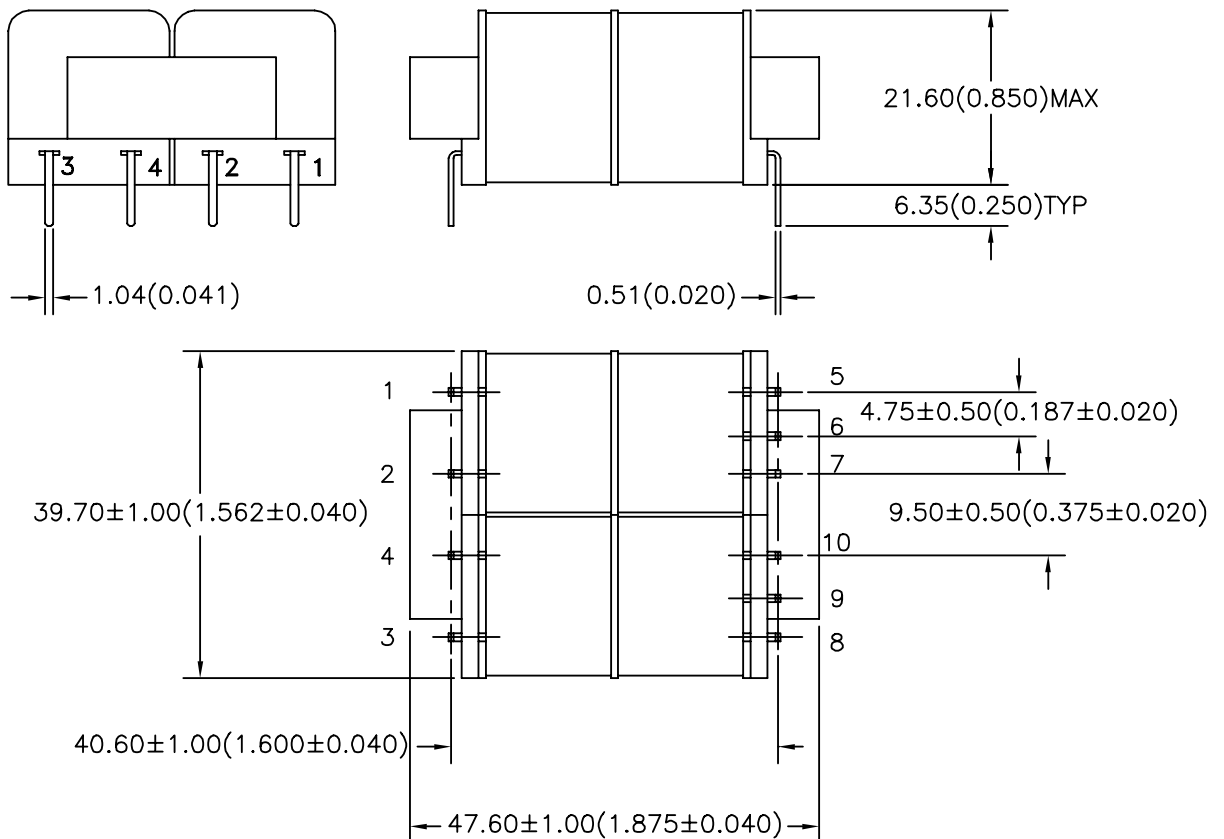
B. Marking; PFT6-38, MICROTRAN, date code, country of origin, terminal numbers and safety symbols.

C. Safety:  
 UL506 General Purpose  
 File Number E79781

D. Schematic Diagram:



E. Mechanical Specifications:



MODEL NUMBER  
**PFT6-38**

PREPARED BY:

D. Rund  
 ENGINEER:

T. Shiozawa  
 QUALITY CONTROL:

D. Kelley  
 APPROVED:

J. Coleman

DWG CONTROL NO. REV  
 P-A1-12325 -  
 ACAD\3F\A1123251.DWG

3 FLANGE BOBBIN  
 POWER TRANSFORMER

CONTENTS OF THIS DRAWING ARE  
 SUBJECT TO CHANGE WITHOUT  
 PRIOR NOTICE

**TAMURA CORPORATION OF AMERICA**  
 43352 BUSINESS PARK DRIVE, TEMECULA, CA. 92590-6624  
 (909) 699-1270 FAX 9096769482

**PFT6-38**

MODEL SPECIFICATION

DIM: mm(In) SCL: NONE SH: 1 OF 1

PROPRIETARY NOTICE: THIS DRAWING PRINT OR DOCUMENT AND SUBJECT MATTER DISCLOSED HEREIN ARE PROPRIETARY ITEMS TO WHICH TAMURA  
 RETAINS THE EXCLUSIVE RIGHT OF DISSEMINATION, REPRODUCTION, MANUFACTURE AND SALE. THIS DRAWING, PRINT OR DOCUMENT IS SUBMITTED IN  
 CONFIDENCE FOR CONSIDERATION BY THE RECIPIENT ALONE UNLESS PERMISSION FOR FURTHER DISCLOSURE IS EXPRESSLY GRANTED IN WRITING.