

## Excellent Integrated System Limited

Stocking Distributor

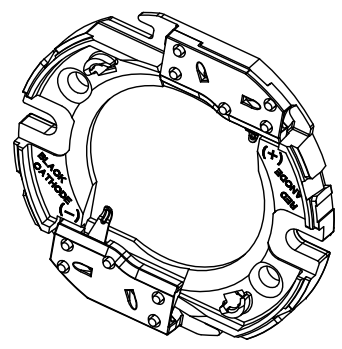
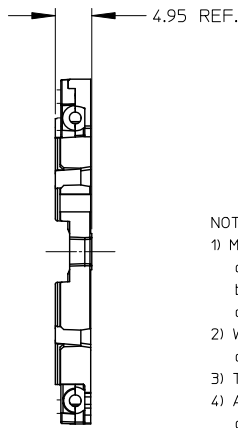
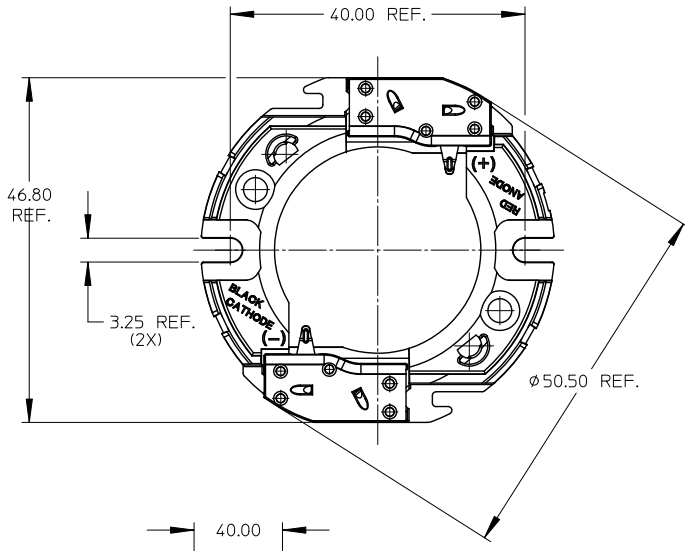
Click to view price, real time Inventory, Delivery & Lifecycle Information:

[Molex Connector Corporation](#)  
[1801900000](#)

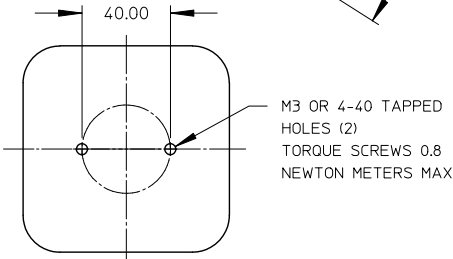
For any questions, you can email us directly:

[sales@integrated-circuit.com](mailto:sales@integrated-circuit.com)

PART NUMBER	DESCRIPTION	SEE SHEET
180190-0000	HOLDER WITHOUT LENS	3
180190-0001	HOLDER WITH LENS	3
180192-0000	COVER LENS ONLY	3

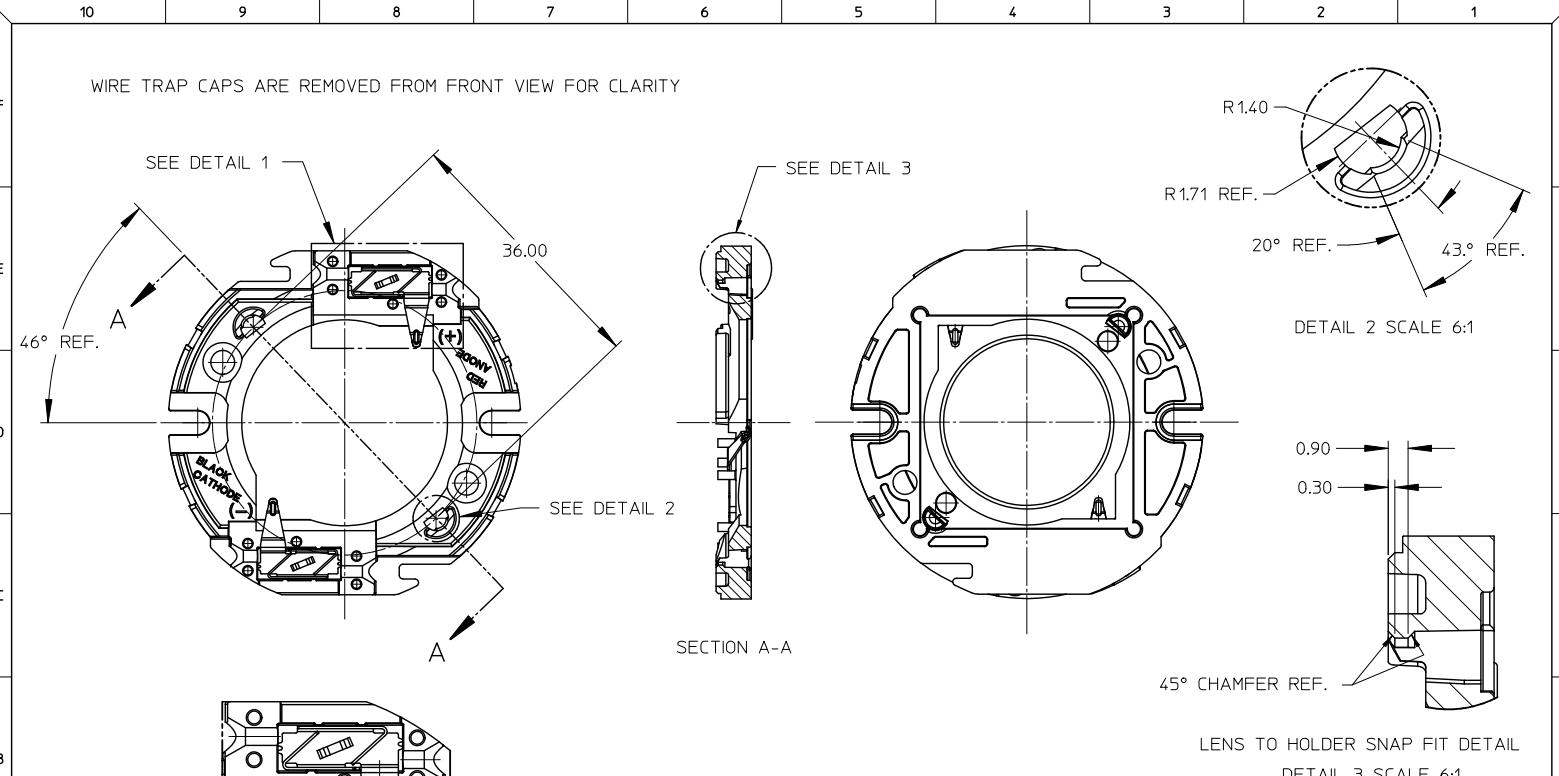


- NOTES:
- MATERIALS:
    - CAPS: NATURAL COLOR PA66 NYLON 25% GF UL94V-0
    - HOUSING: NATURAL COLOR PA66 NYLON 25% GF UL94V-0
    - COVER LENS: CLEAR POLYCARBONATE UL94HB
  - WIRE TRAP TERMINALS: COPPER ALLOY
    - FINISH: GOLD OVER NICKEL
  - THIS PRODUCT IS ELV AND ROHS COMPLIANT
  - APPLICABLE WIRE GAUGE - 18 OR 20 AWG
    - SOLID WIRE IS RECOMMENDED
    - IF STRANDED WIRE IS USED, PRE-TINNED IS RECOMMENDED
    - 1 cm STRIP LENGTH IS RECOMMENDED
  - MOUNT HOLDER USING M3 OR 4-40 SCREWS (2), 0.8 NEWTON METERS MAX TORQUE
  - UL RECOGNIZED TO UL496
    - UL RECOGNIZED TO CSA-C22.2 NO. 43 (2008)
    - RATED 600V
    - UL FILE NUMBER: E345583, UL-0LFB2



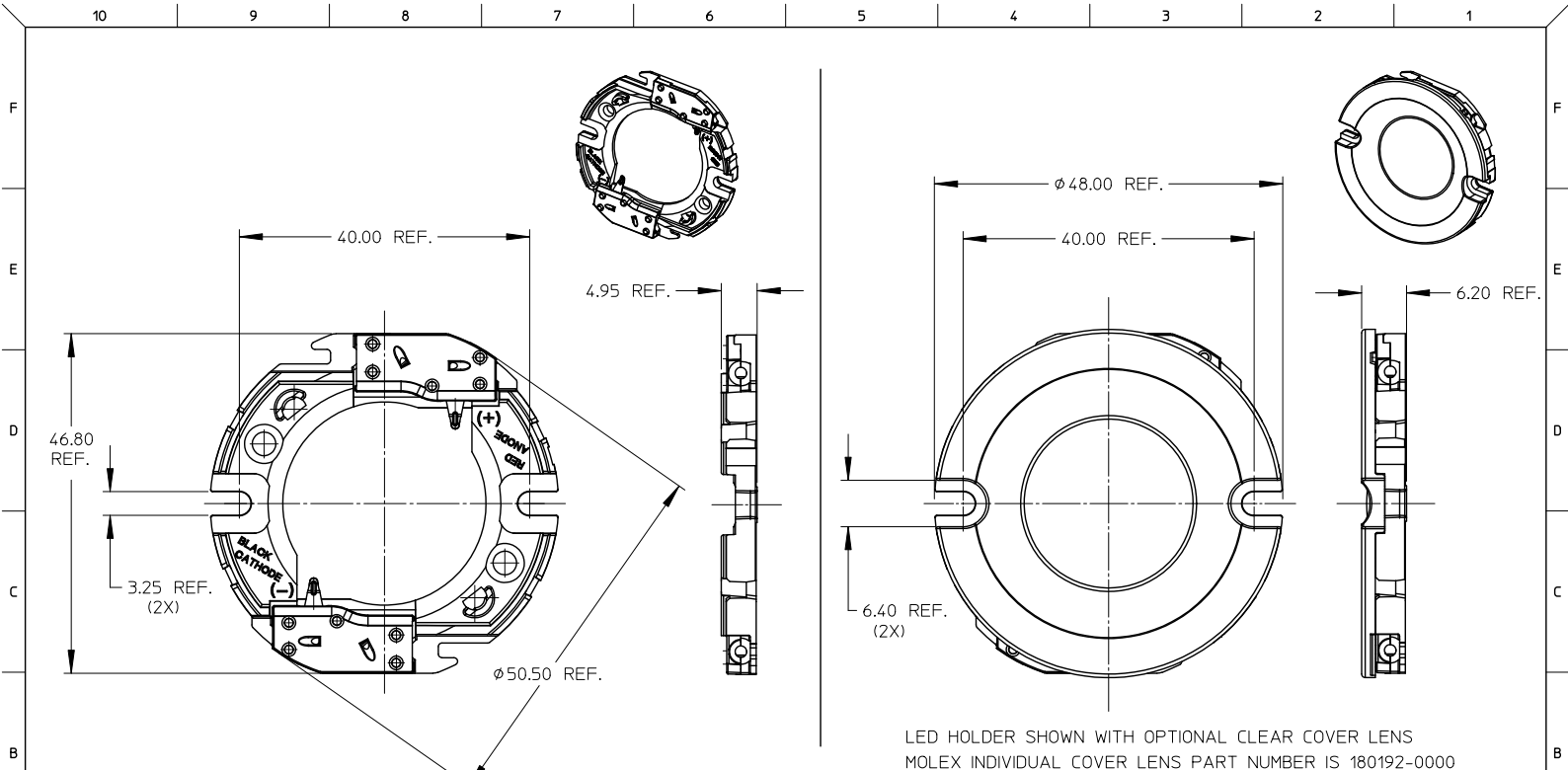
RECOMMENDED MOUNTING DIMENSIONS (NTS)

ENTER DESCRIPTION EC NO: 5512012-0008 DRAWN BY: JAKL IC CHKD: APPRENTICE GOWAN DATE: 2011/08/02 DATE: 2011/08/05	QUALITY SYMBOLS ∇=0 ∇=0 ∇=0	GENERAL TOLERANCES (UNLESS SPECIFIED)		DIMENSION STYLE MM ONLY		SCALE 2:1	DESIGN UNITS METRIC	THIRD ANGLE PROJECTION
		4 PLACES ± --- ± --- 3 PLACES ± --- ± --- 2 PLACES ± 0.13 ± --- 1 PLACE ± 0.25 ± --- ANGULAR ± 1/2°	mm INCH DRAWN BY: FJAKL IC DATE: 2011/01/28 CHECKED BY: DATE:	TITLE CITIZEN L-340 LED HOLDER		APPROVED BY: DMCGOWAN DATE: 2011/02/18 MATERIAL NO. SEE CHART DOCUMENT NO. SD-180190-001		
DRAFT WHERE APPLICABLE MUST REMAIN WITHIN DIMENSIONS		SIZE B		THIS DRAWING CONTAINS INFORMATION THAT IS PROPRIETARY TO MOLEX INCORPORATED AND SHOULD NOT BE USED WITHOUT WRITTEN PERMISSION				



VIEW OF TWO-WAY WIRE TRAP  
WIRE TRAPS WILL ACCOMMODATE  
EITHER 18 OR 20 GAUGE WIRE  
DETAIL 1 SCALE 3:1

ENTER DESCRIPTION EC NO: SSL2012-0008 DRAWN BY: JAKL IC 2011/08/02 CHKD: APPROVED: DMC GOWAN 2011/08/05 REV: C1	QUALITY SYMBOLS	GENERAL TOLERANCES (UNLESS SPECIFIED)	DIMENSION STYLE MM ONLY	SCALE 2:1	DESIGN UNITS METRIC	THIRD ANGLE PROJECTION
	▽=0	4 PLACES ± --- ± ---	DRAWN BY DATE FJAKL IC 2011/01/28	TITLE CITIZEN L-340 LED HOLDER		
	▽=0	3 PLACES ± --- ± ---	CHECKED BY DATE	MOLEX INCORPORATED		
	▽=0	2 PLACES ± 0.13 ± ---	APPROVED BY DATE DMC GOWAN 2011/02/18	DOCUMENT NO. SD-180190-001		
		1 PLACE ± 0.25 ± ---	MATERIAL NO.	SHEET NO. 2 OF 3		
		ANGULAR ± 1/2°	SEE CHART	THIS DRAWING CONTAINS INFORMATION THAT IS PROPRIETARY TO MOLEX INCORPORATED AND SHOULD NOT BE USED WITHOUT WRITTEN PERMISSION		
		DRAFT WHERE APPLICABLE MUST REMAIN WITHIN DIMENSIONS	SIZE B			



LED HOLDER PART NUMBER 180190-0000

LED HOLDER SHOWN WITH OPTIONAL CLEAR COVER LENS  
MOLEX INDIVIDUAL COVER LENS PART NUMBER IS 180192-0000

ENTER DESCRIPTION EC. NO: SSI2012-0008 DRAWN: JAKLIC 2011/08/02 CHKD: APPROVED: DMC GOWAN 2011/08/05 REV: C1	QUALITY SYMBOLS	GENERAL TOLERANCES (UNLESS SPECIFIED)	DIMENSION STYLE	SCALE	DESIGN UNITS	THIRD ANGLE PROJECTION
	▽=0	mm INCH	MM ONLY	2:1	METRIC	
	▽=0	4 PLACES ± --- ± ---	DRAWN BY DATE			
	▽=0	3 PLACES ± --- ± ---	FJAKLIC 2011/01/28			
		2 PLACES ± 0.13 ± ---	CHECKED BY DATE			
		1 PLACE ± 0.25 ± ---	APPROVED BY DATE			
		ANGULAR ± 1/2°	DMCGOWAN 2011/02/18			
		DRAFT WHERE APPLICABLE MUST REMAIN WITHIN DIMENSIONS	MATERIAL NO.			
			SEE CHART			
			SIZE B			
			THIS DRAWING CONTAINS INFORMATION THAT IS PROPRIETARY TO MOLEX INCORPORATED AND SHOULD NOT BE USED WITHOUT WRITTEN PERMISSION			

CITIZEN L-340  
LED HOLDER

MOLEX MOLEX INCORPORATED

DOCUMENT NO. SD-180190-001 SHEET NO. 3 OF 3